

# Cooling element for pressure measuring instruments Model 910.32, for threaded attachment

WIKA data sheet AC 09.21

## Applications

For screwing onto pressure measuring instruments at increased medium temperatures.

## Special features

- For medium temperatures up to 200 °C
- Can work with pressures up to 600 bar
- Connections for G ½ B (EN 837)



Cooling elements with 3 and 5 cooling fins

## Description

Cooling elements are used when the medium temperature would exceed the permissible temperature limit of the pressure measuring instrument.

Through air circulation and heat radiation at the cooling element, the medium temperature is lowered sufficiently so that the temperature limits are not exceeded and any possible temperature error is reduced.

The cooling element can also be used for warming very cold media, provided that the ambient temperature is higher than that of the media.

## Specifications

### Max. medium temperature and connections

Selectable versions			
Max. medium temperature	Process connection	Measuring instrument connection	Order no.
150 °C (3 cooling fins)	G ½ B (EN 837)	G ½ B female (EN 837)	14109813
200 °C (5 cooling fins)	G ½ B (EN 837)	G ½ B female (EN 837)	14109815

Other connections on request.

### Max. load

600 bar

This value is only valid with suitable sealing in accordance with EN 837 and a temperature range < 100 °C at the measuring instrument.

### Material

Stainless steel 1.4571

### Weight

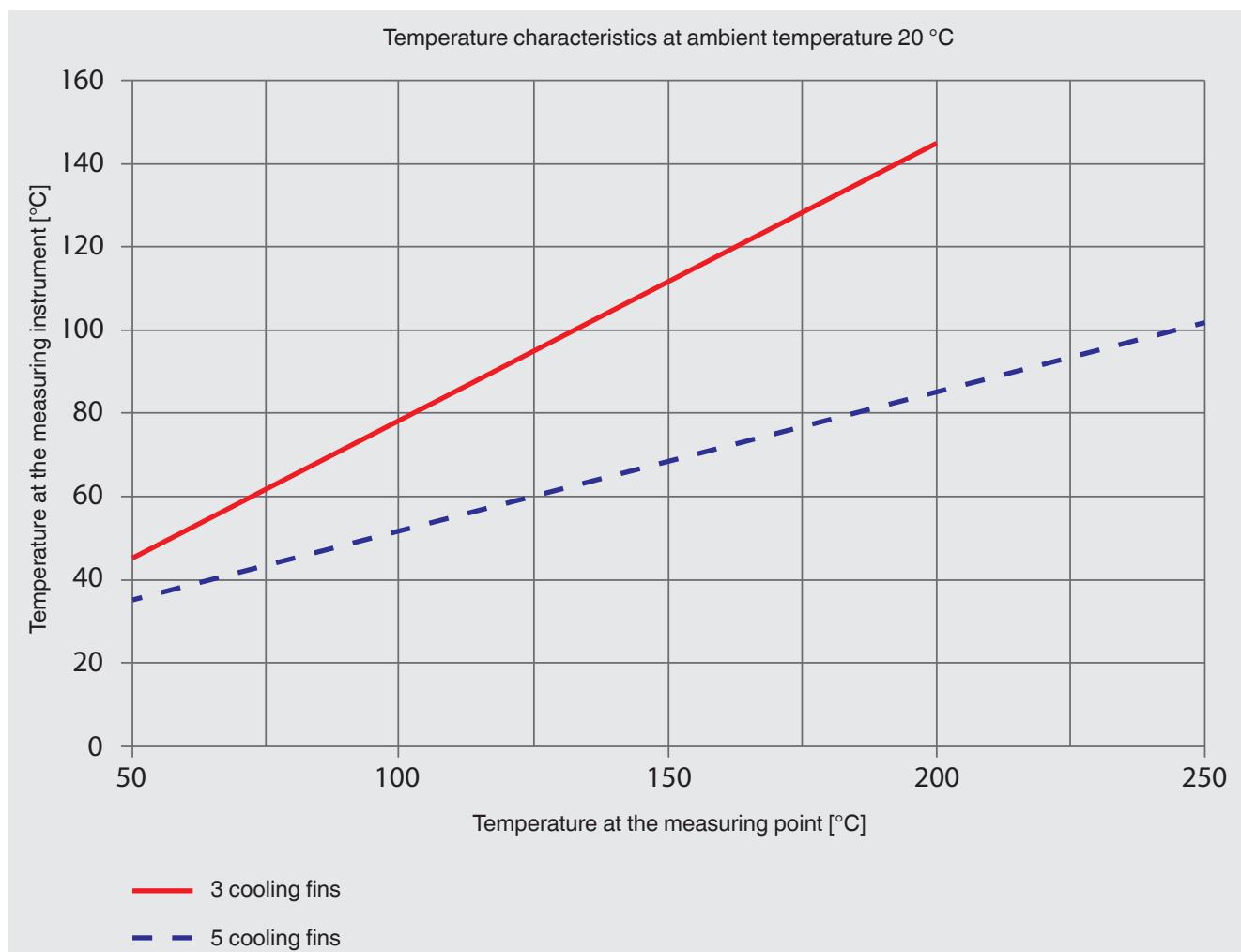
3 cooling fins: approx. 180 g

5 cooling fins: approx. 200 g

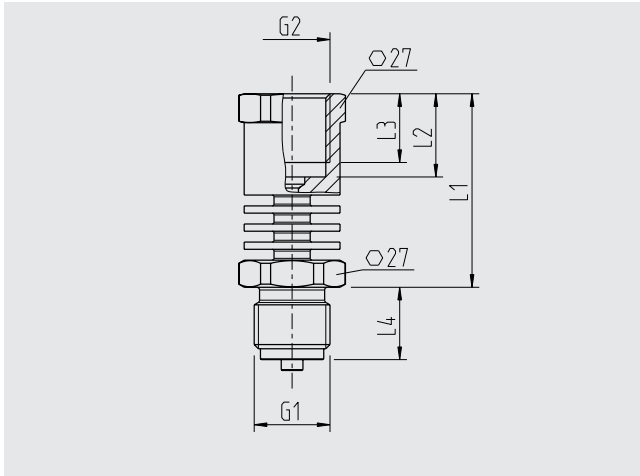
### Pressure port

3.5 mm

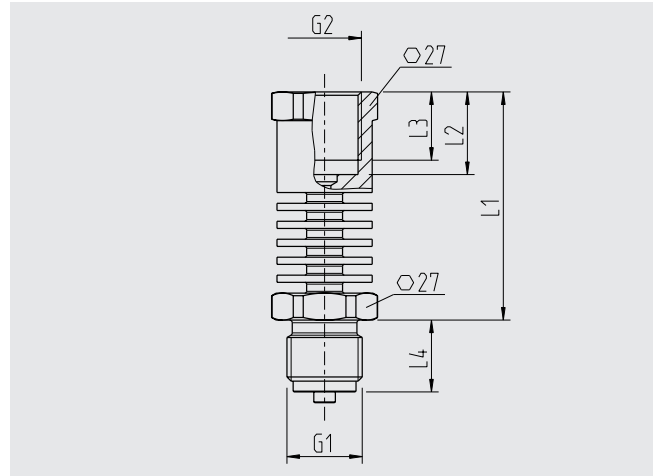
## Characteristic curve



## Dimensions in mm



G1	G2	L1	L2	L3	L4
G ½ B (EN 837)	G ½ B female (EN 837)	53.5	23	19	20



G1	G2	L1	L2	L3	L4
G ½ B (EN 837)	G ½ B female (EN 837)	63.5	23	19	20

## Ordering informations

To order the described product the order number is sufficient.

© 2014 WIKA Alexander Wiegand SE & Co. KG, all rights reserved.  
The specifications given in this document represent the state of engineering at the time of publishing.  
We reserve the right to make modifications to the specifications and materials.

