

Illumination unit

For sight glass level indicator

Model LGI

WIKA data sheet LM 33.02



for further approvals
see page 2

Applications

- Better identification of liquid and gaseous phase
- Direct indication of the level
- Chemical industry, petrochemical industry, oil and natural gas extraction (on- and offshore), shipbuilding, machine building, power generating equipment, power plants

Special features

- Simple mounting of the illumination system
- Illumination types available for different applications
- Operating temperature: depending on illumination method
- Matching to the respective length of the glass indicator



Illumination unit with LED light source, model LGI-L

Description

An illumination unit model LGI can be used for transparent or refraction indicators. It improves the identification of the transition from the liquid to the gaseous phase.


There are various systems available, which can be matched to the respective application. LEDs are used as light sources.

Model overview



Model	Description	Temperature range
LGI-L	Illumination unit with LED light source	-40 ... +85 °C
LGI-LD	Illumination unit with LED light source, Ex d	-20 ... +60 °C
LGI-RDM	Illumination unit with LED light source, Ex d	-30 ... +70 °C
LGI-LE	Illumination unit with LED light source, Ex e	-25 ... +60 °C

Approvals



■ Model LGI-L

Logo	Description	Country
	EU declaration of conformity RoHS directive	European Union

■ Model LGI-RDM

Logo	Description	Country
	EU declaration of conformity <ul style="list-style-type: none"> ■ Low voltage directive ■ RoHS directive ■ ATEX directive Hazardous areas II 2G Ex db op is IIC T4 Gb II 2D Ex tb IIIC T100 °C Db I M2 Ex db op is I Mb	European Union
	IECEx (option) Hazardous areas Ex db op is IIC T6/T4 Gb Ex tb IIIC T80°C/T100°C Db Ex db op is I Mb	International

■ Model LGI-LD

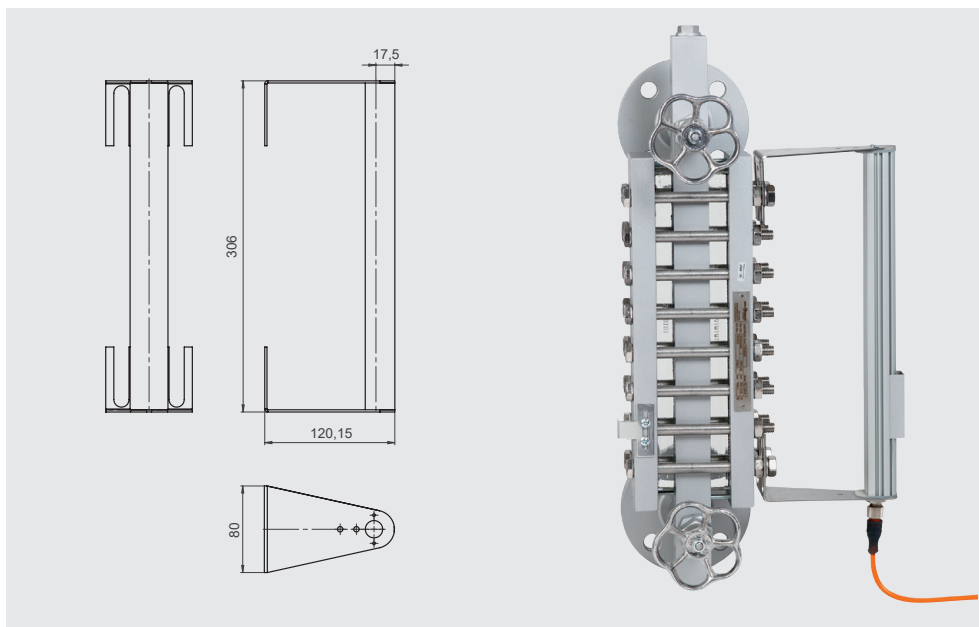
Logo	Description	Country
	EU declaration of conformity <ul style="list-style-type: none"> ■ Low voltage directive ■ RoHS directive ■ ATEX directive Hazardous areas II 2GD Ex db IIC T6 Gb II 2GD Ex tb IIIC T54°C ... T74°C Db IP66	European Union
	IECEx (option) Hazardous areas Ex db IIC T6 Gb Ex tb IIIC T54°C ... T74°C Db IP66	International

■ Model LGI-LE

Logo	Description	Country
	EU declaration of conformity <ul style="list-style-type: none"> ■ Low voltage directive ■ RoHS directive ■ ATEX directive Hazardous areas II 2G Ex eb mb op is IIC T4 Gb II 2D Ex tb IIIC T130°C Db	European Union
		

Approvals and certificates, see website

Illumination unit with LED light source
For sight glass level indicator (transparent indicator)
Model LGI-L

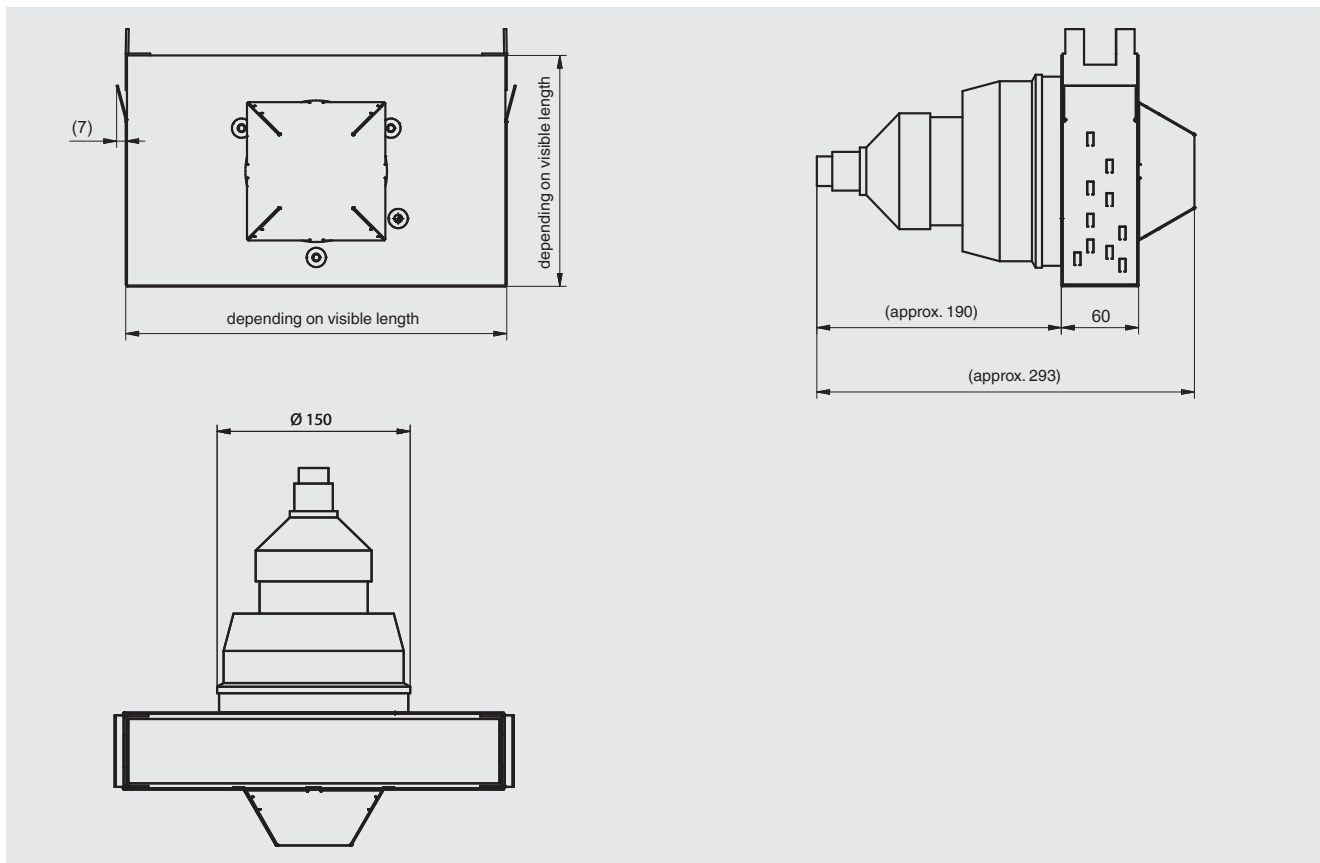


Specifications	
Light source used	LumiFlex Economy 35
Operating voltage	DC 24 V
Electrical power	4.8 W/m
Current	200 mA/m
Length	To 1,600 mm
Case material	Aluminium
Service life	40,000 h
Electrical connection	M12 connector (male)
Dimensions of illumination	
Length	Depending on visible length
Width	35 mm
Depth	120 mm
Ambient temperature	-40 ... +85 °C
Ingress protection	IP66
Weight	Length-dependent
Accessories (optional)	Connection cable

Illumination unit with LED light source
For sight glass level indicator (transparent indicator)
Model LGI-LD



II 2GD Ex db IIC T6 Gb / II 2GD Ex tb IIIC T54°C ... T74°C Db IP66



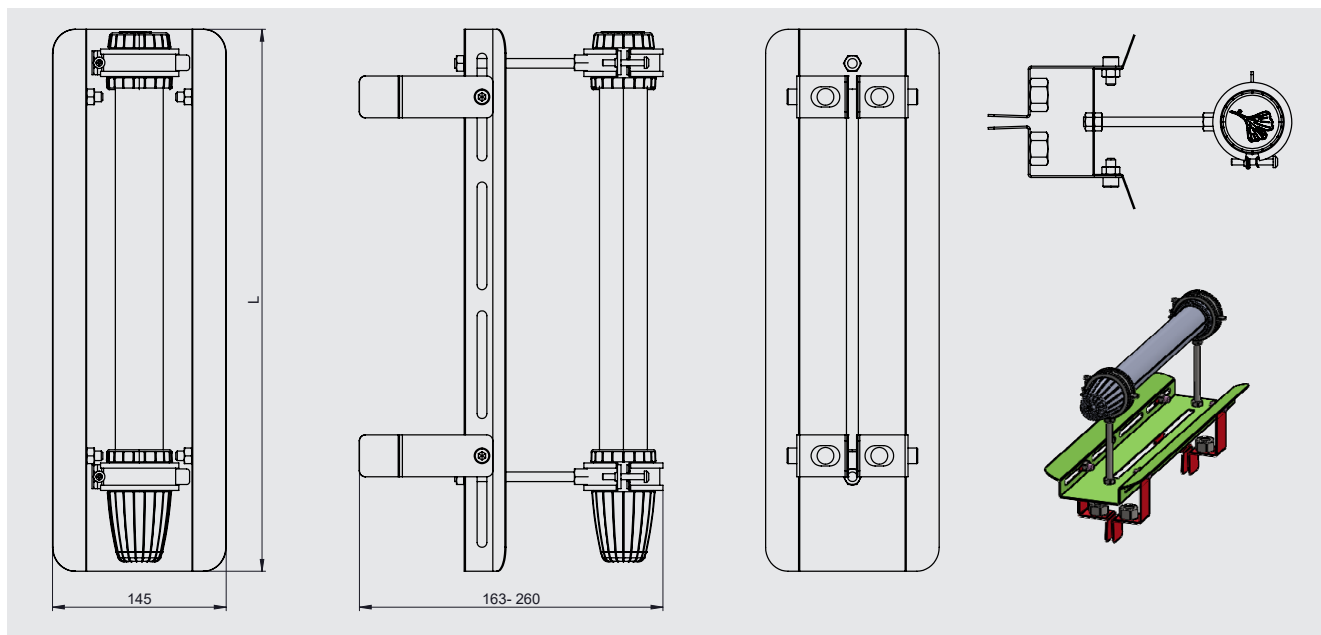
Specifications	
Light source used	Cortem LampLED 8 W
Operating voltage	AC 230 V
Frequency	50 ... 60 Hz
Electrical power	8 W
Case material	Stainless steel 1.4301
Service life	2,000 h
Electrical connection	Cable entry ¼ NPT female (adapter and cable gland optional)
Dimensions of light control box	
Length	Depending on visible length
Width	58 mm
Depth	180 ... 300 mm ¹⁾
Ambient temperature	-20 ... +60 °C
Ingress protection	IP66
Weight	Length-dependent

1) Depending on the version

Illumination unit with LED tubular light fitting
For sight glass level indicators (refraction indicator)
Model LGI-RDM



II 2G Ex db op is IIC T4 Gb / II 2D Ex tb IIIC T100 °C Db

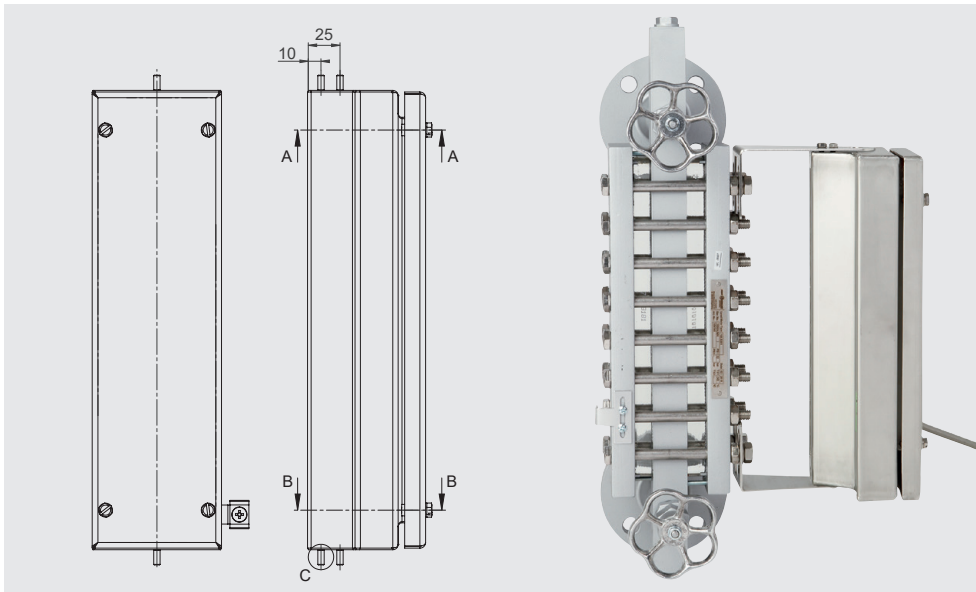


Specifications	
Light source used	LED tube luminaire series 6036
Operating voltage	AC 110 ... 240 V / DC 110 ... 240 V
Frequency	50 ... 60 Hz
Electrical power	13 W
Case material	Polycarbonate
Service life	Up to 100,000 h
Electrical connection	Cable H07RN-F 2 x 1.5 mm ² , 5 m
Dimensions of illumination unit	
Length	453 mm
Width	145 mm
Depth	163 ... 260 mm
Ambient temperature	-30 ... +70 °C
Ingress protection	IP66/IP67
Weight	Approx. 2.5 kg



Illumination unit with LED light source
For sight glass level indicators (transparent indicator)
Model LGI-LE

II 2G Ex eb mb op is IIC T4 Gb / II 2D Ex tb IIIC T130°C Db



Specifications	
Light source used	TNCLS backlight
Operating voltage	<ul style="list-style-type: none"> ■ AC 220 ... 240 V ■ AC 254 V
Frequency	50 ... 60 Hz
Electrical power	Approx. 4 W/m
Case material	Stainless steel 1.4404 (316L)
Service life	60,000 h
Dimensions	
Length	Depending on visible length
Width	100 mm
Depth	128 mm
Ambient temperature	-20 ... +70 °C
Ingress protection	IP66
Weight	7.3 kg/m

Ordering information

Model / Light source / Ambient temperature min./max. / Visible length / Sight glass level indicator present (serial number, order confirmation number) / Approvals / Options

© 12/2021 WIKA Alexander Wiegand SE & Co. KG, all rights reserved.
 The specifications given in this document represent the state of engineering at the time of publishing.
 We reserve the right to make modifications to the specifications and materials.



WIKAL Alexander Wiegand SE & Co. KG
 Alexander-Wiegand-Straße 30
 63911 Klingenberg/Germany
 Tel. +49 9372 132-0
 Fax +49 9372 132-406
 info@wika.de
 www.wika.de