

Pressure Balance High-Pressure

GB

Höchstdruck Kolbenmanometer

D

# CPB5000HP



Pressure Balance High-Pressure CPB5000HP



**Information**

This symbol provides you with information, notes and tips.



**Warning!**

This symbol warns you against actions that can cause injury to people or damage to the instrument.

# Contents

<b>1. General</b>	<b>4</b>
1.1 General Instructions	4
1.2 Safety Instructions	5
<b>2. Product Description</b>	<b>7</b>
2.1 General Product Information	7
2.2 Basic principle of the Pressure Balance	8
2.3 Factors at work	8
2.3.1 Local fluctuations in the gravity-value	8
2.3.2 Temperature (Piston/Cylinder)	9
2.3.3 Ambient conditions	9
2.3.4 How the cross-sectional surface responds to pressure	10
2.4 Arrangement of control elements	11
<b>3. Commissioning and Operation</b>	<b>12</b>
3.1 Preparation	12
3.1.1 Setting up the Device	12
3.1.2 Installing the piston cylinder system	13
3.1.3 Connecting the test specimen	14
3.1.4 Venting the System	15
3.2 Operation	16
3.2.1 Weight Pieces	17
3.2.2 Approaching the pressure value (increasing pressure)	18
3.2.3 Pressure stable	19
3.2.4 Next pressure level	19
3.2.5 Approaching the pressure value (decreasing pressure)	20
3.3 Disassembly	21
3.4 Transport	21
<b>4. Troubleshooting measures</b>	<b>22</b>
<b>5. Maintenance and Care</b>	<b>24</b>
5.1 Cleaning	24
5.1.1 Piston/Cylinder system	24
5.1.2 Weight Set	24
5.2 Wear Parts	24
5.3 Changing the Hydraulic Oil	25
5.3.1 Removing Hydraulic Oil	25
5.3.2 Filling in of Hydraulic Oil	25
5.3.3 Venting of the System (after Complete Filling only)	25
5.4 Recalibration	26
<b>6. Specifications</b>	<b>27</b>
<b>7. Tables of masses</b>	<b>29</b>
<b>8. Accessories</b>	<b>30</b>

## 1. General

### 1.1 General Instructions

In the following chapters detailed information on the CPB5000HP pressure balance and its proper use can be found.

Should you require further information, or should there be problems which are not dealt within detail in the operating instructions, please contact the address below:

#### **WIKA Alexander Wiegand SE & Co. KG**

Alexander Wiegand Strasse

D-63911 Klingenberg

Tel: +49-(0)9372/132-473

Fax: +49-(0)9372/132-8767

E-Mail: calibration@wika.de

If nothing to the contrary is agreed, the pressure balance is calibrated in compliance with the currently valid body of international regulations and can be referred directly to a national standard.

The warranty period for the pressure balance is 24 months according to the general terms of supply of ZVEI.

The guarantee is void if the appliance is put to improper use or if the operating instructions are not observed or if an attempt is made to open the appliance or to release attachment parts or the tubing.

We also point out that the content of these operating instructions neither forms part of an earlier or existing agreement, assurance or legal relationship nor is meant to change these. All obligations of WIKA Alexander Wiegand SE & Co. KG result from the respective sales contract and the general business terms of WIKA Alexander Wiegand SE & Co. KG.

WIKA is a registered trade mark of WIKA Alexander Wiegand SE & Co. KG.

Names of companies or products mentioned in this handbook are registered trade marks of the manufacturer.

The devices described in this manual represent the latest state of the art in terms of their design, dimension and materials. We reserve the right to make changes to or replace materials without any obligation to give immediate notification.

Duplication of this manual in whole or in part is prohibited.

## 1.2 Safety Instructions



**Read these operating instructions carefully prior to operating the pressure balance high-pressure CPB5000HP. Its trouble-free operation and reliability cannot be guaranteed unless the safety advice given in this manual is followed when using the device.**

1. The system must only be operated by trained and authorised personnel who know the manual and can work according to it.
2. Trouble-free operation and reliability of the device can only be guaranteed so long as the conditions stated under "Setting up the device" are taken into consideration.
3. The CPB5000HP always has to be handled with the care required for a precision instrument (protect from humidity, impacts and extreme temperatures). The device, the piston-cylinder-system and the mass-set must be handled with care (don't throw, hit, etc.) and protect them from contamination. By no means apply any force to the operating elements of the CPB5000HP.
4. If the device is moved from a cold to a warm environment, you should therefore ensure the device temperature has adjusted to the ambient temperature before trying to put it into operation.
5. If the equipment is damaged and might no longer operate safely, then it should be taken out of use and securely marked in such a way so that isn't used again.  
Operator safety may be at risk if:
  - There is visible damage to the device
  - The device is not working as specified
  - The device has been stored under unsuitable conditions for an extended period of time.

If there is any doubt, please return the device to the manufacturer for repair or maintenance.

6. Customers must not attempt to alter or repair the device themselves. If the instrument is opened or attachment parts or the tubing are released, its trouble-free operation and reliability is impaired and endangers the operator. Please return the device to the manufacturer for any repair or maintenance.
7. Any operation not included in the following instructions or outside the specifications must not be attempted.



**When the specified nominal pressure of the unit is exceeded, the accuracy and durability of the piston-cylinder system can be reduced.**



**Wear safety glasses to protect against leaking oil.**



**Use only those accessories such as thread adapter, which is suitable for the pressure range and the medium used.**



**See Safety Data Sheet of the medium used under the product page CPB5000HP at [www.wika.de](http://www.wika.de)**

## 2. Product Description

### 2.1 General Product Information

#### ■ Application

Pressure balances are the most accurate instruments for the calibration of electronic or mechanical pressure measuring instruments. The direct measurement of pressure, according to its definition as a quotient of force and area, and the use of high-quality materials result in small uncertainties of measurement and an excellent long-term stability of five years.

For these reasons pressure balances have already been used in calibration laboratories of industry, national institutes and research labs for many years. Due to the integrated pressure generation and the purely mechanical measuring principle the CPB5000HP is also ideally suited for on-site use as well as service and maintenance purposes.

#### ■ Piston cylinder system

The hydraulic high-pressure piston cylinder systems are available for pressure ranges 2,500 bar, 4,000 bar and 5,000 bar respectively 40,000 psi, 60,000 psi and 70,000 psi. The accuracy is 0.025 % (optional also 0.02 %) of reading.

#### ■ Functioning

In order to generate the individual test points, the piston cylinder system is weighted with mass-loads, which are also calibrated and specially adapted to the respective application.

The pressure is set via an integrated pump. For fine adjustment an adjustable volume with precision spindle is available. The weight applied is proportional to the desired pressure and provided by using optimally graduated weights. As soon as the measuring system reaches equilibrium, there is a balance of forces between pressure and wheel weights.

Due to the high-grade quality of the system this pressure remains stable over several minutes, so that for instance adjustments of your device under test can be carried out without any problems.

## 2.2 Basic principle of the Pressure Balance

Their operating principle is based on the physical definition of pressure, the quotient of force and surface.

$$Pressure = \frac{Force}{Area}$$

The key element of the pressure balance is a precision-manufactured piston/cylinder system with a precisely measured cross-sectional surface.

To apply a pressure charge to the system, the piston is placed under a load with (calibrated) weight pieces.

Each holding disk from the set of weights is identified by a nominal weight, which generates a pressure value in the system (assuming standard reference conditions). Each weight has a number and in the calibration certificate there is described the mass value to each weight with its resultant pressure value. The weights are chosen according to the desired pressure value.

After that, the integrated spindle pump increases the pressure until the weights are in a floating state.

## 2.3 Factors at work

The piston pressure gauge is calibrated to standard reference conditions when it leaves the factory (depending on customer specifications).

If there are significant deviations between the application conditions and the defined reference conditions, appropriate corrections must be made.

Following are the main factors that enter into play and must be considered.



These corrections can be made automatically with the CalibratorUnit CPU6000 (see accessories point 8)!

### 2.3.1 Local fluctuations in the gravity-value

The local force of gravitation is subject to major fluctuations caused by geographical variation. The value may differ from one place on earth to another by as much as 0.5 %. Since this value has a direct effect on the measurement, it is essential that it be taken into consideration.

The weight pieces can even be adjusted during manufacturing to match the location where they will be used. Another option, especially if the device will be used at multiple locations, is to perform a calibration to the standard gravity,

"Standard-g = 9.80665 m/s<sup>2</sup>".

Then a correction must be performed for each measurement according to the formula below:

$$True\ pressure = Nominal\ value \cdot \frac{g - Application\ site}{Standard - g}$$

#### Example:

Local gravity set during manufacturing:	9.806650 m/s <sup>2</sup>
Locale gravity at application site:	9.811053 m/s <sup>2</sup>

Nominal pressure: 100 bar

$$True\ pressure: p = p_{Nominal} \frac{g_{Local}}{g_{Standard}} = 100bar \frac{9.81105}{9.80665} = 100.0449bar$$

Without the correction, measurements would all be "off" by 0.05 %.



### 2.3.2 Temperature (Piston/Cylinder)

The effective cross-sectional surface of the piston/cylinder system depends on the temperature. The effect depends on the material used and is described by the temperature coefficient (TK).

In the event of deviations from standard reference conditions (typically 20 °C), the following formula must be used to make a correction:

$$\text{True pressure} = \text{Nominal value} \cdot \frac{1}{\left(1 + (t_{\text{Appl}} - t_{\text{Reference}}) \cdot TK\right)}$$

**Example:**

Reference temperature: 20 °C  
 Temperature during use: 23 °C  
 TK: 0.0022 %

$$\text{True pressure} = 100\text{bar} \cdot \frac{1}{\left(1 + (23 - 20) \cdot 2.2 \cdot 10^{-5}\right)} = 99.99340\text{bar}$$

Without the correction, measurements would all be "off" by 0.007 %.

### 2.3.3 Ambient conditions

The effects of ambient conditions

- air pressure
- room temperature
- relative humidity

should always be taken into consideration if the highest level of accuracy is required. Fluctuations in ambient conditions change air density.

The air density affects the pressure through the buoyancy of the weights:

$$\text{Weight} = \text{Nominal weight} \cdot \left(1 - \frac{\text{Air density}}{\text{Weight density}}\right)$$

The air density is typically 1.2 kg/m<sup>3</sup>  
 The density of the weights (non-magnetic steel) is 7,900 kg/m<sup>3</sup>

A fluctuation of 5 % in the relative humidity causes an additional uncertainty in the measurement of about 0.001 %.

### 2.3.4 How the cross-sectional surface responds to pressure

At higher pressures, the effective cross-sectional surface changes due to the pressure load. The ratio of the cross-section and prevailing pressure is linear within an initial approximation. It is represented by the coefficient of expansion caused by pressure distortion ( $\lambda$ ).

$$\text{True pressure} = \frac{\text{Nominal pressure}}{1 + \lambda \cdot \text{Nominal pressure}}$$

**Example:**

Measuring point: 1,000 bar

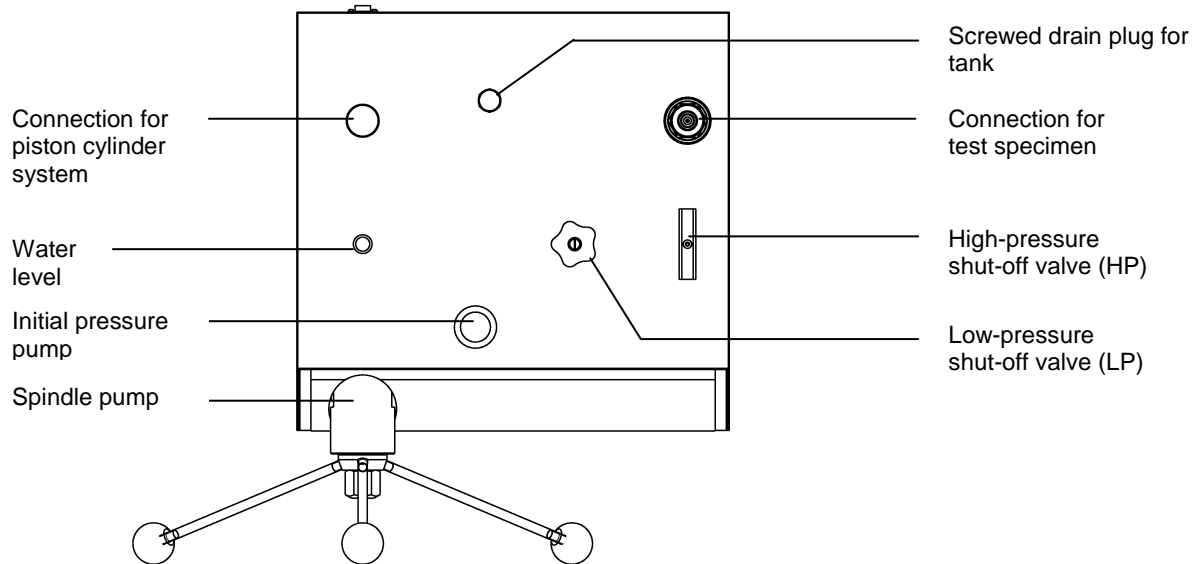
System with distortion coefficient:  $10^{-7}$  1/bar:

$$\text{True pressure} = \frac{1000}{1 + 1 \cdot 10^{-7} \cdot 1000} \text{ bar} = 999.90 \text{ bar}$$

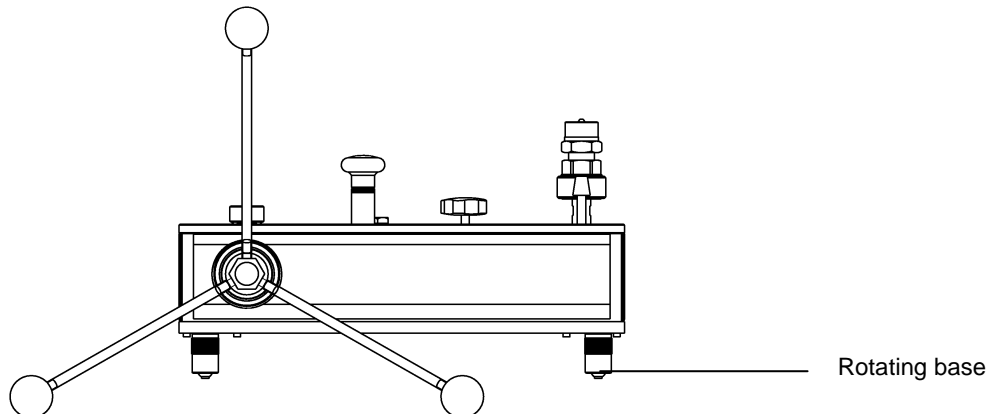
Without the correction, measurements would all be "off" by 0.01 %.

## 2.4 Arrangement of control elements

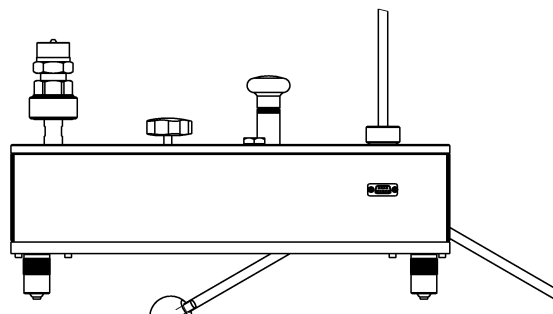
### ■ View from above



### ■ Front view



### ■ Rear view



### 3. Commissioning and Operation

#### 3.1 Preparation

##### 3.1.1 Setting up the Device

- Set up the pressure balance on a solid surface. If it is not resting on a solid foundation or is subject to vibrations, measurements could be affected. This should be avoided.
- If no temperature control system is present, the device should at least not be placed near a heat element or window. This will reduce drafts and warm air flows as much as possible.
- The water level should be used to align the device. At this time, rough alignment can already be performed without the piston/cylinder system. Using the rotating feed, position the device so that it is horizontal.
- The oil container may need to be filled, or refilled. For this purpose, the locking screw with the oil filling symbol on top of the basement must be opened. Special oil must be used for refilling. The system must be vented before initial filling, or after a complete oil change. For this purpose, please proceed according to section 5.3.3.
- The protection film on the screwed drain plug of the oil container need to be removed before operating (coverage of the ventilation hole during transportation).
- Screw the handle bars of the star handle onto the spindle pump.
- We recommend unscrewing the spindle pump completely when you start to record measurement values, (turning anticlockwise) to allow enough volume for measurements. The low-pressure and high-pressure shut-off valve must be opened during this process.

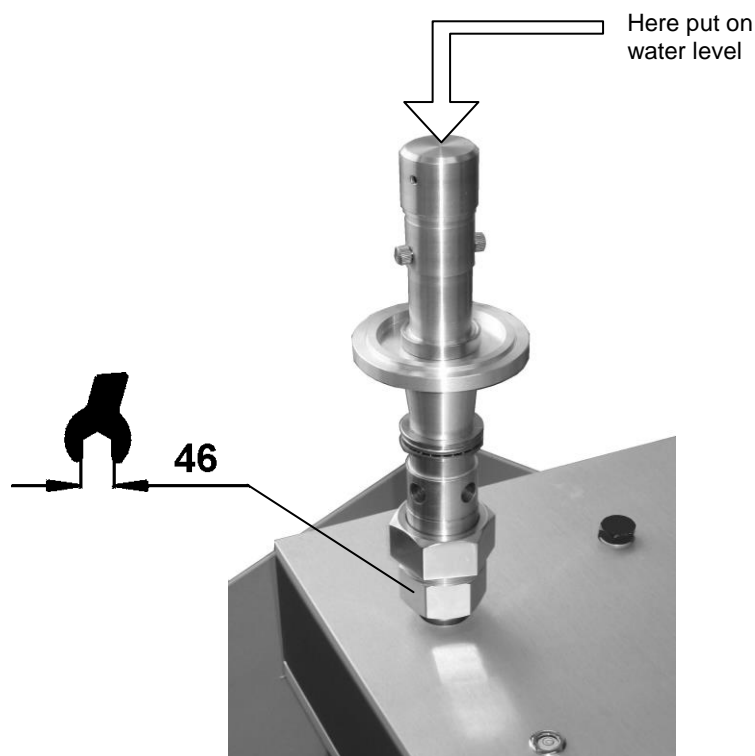
### 3.1.2 Installing the piston cylinder system



**Before releasing the closure plug in the piston receptacle, ensure that the system (spindle pump turned back completely counter-clockwise, open high-pressure shut-off valve, open low-pressure shut-off valve) is depressurised.**

**Note: The closure plug serves to seal off the piston receptacle from oil leaks, or from any penetrating contamination. It may not be pressurised under any circumstances.**

- Remove transportation lock; please keep this lock for transportations (e.g. for re-calibration) see section 3.4).
- Before installing the piston/cylinder system the piping must be vented. For this purpose oil from the reservoir has to be pumped into the system by operating the initial pressure pump carefully. Pressure is admitted as long as the oil reaches the sealing cone inside the opened piston fixture and as long as no air bubbles escape. For this the low-pressure shut-off valve (LP) must be closed, the high-pressure shut-off valve (HP) must be opened and a blind plug must be mounted into the connection for test specimen.
- The piston/cylinder system is inserted vertically into the thread of the piston receptacle, and tightened to 45 Nm using a flat wrench with SW 46.
- Additional sealing elements are not required. Sealing is performed purely metallic using a sealing cone.
- For an exact alignment of the device, the water level may be removed from the basement plate and placed on the top of the screwed-in piston/cylinder system. This will ensure the most accurate referencing of the piston/cylinder system.



### 3.1.3 Connecting the test specimen



**Before releasing the closure plug in the test specimen receptacle, ensure that the system (spindle pump turned back completely counter-clockwise, open high-pressure shut-off valve, open low-pressure shut-off valve) is depressurised.**

**Note: The closure plug serves to seal off the test specimen receptacle from oil leaks, or from any penetrating contamination. It may not be pressurised under any circumstances.**

- The test specimen connection has a knurled nut with a G ¾ female thread, in which various threaded connecting adapters may be screwed into. 3 threaded adapters with the following connector threads are included in the scope of supply as standard equipment:

- M16 x 1.5 male
- M20 x 1.5 male
- 9/16-18UNF male

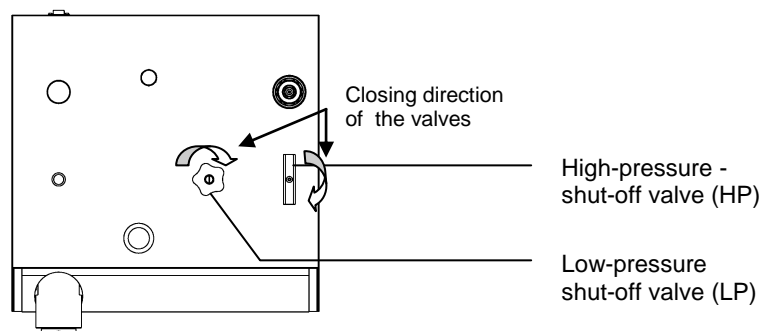
**Max. torque for connection and test item column:**

- < 4,000 bar → 30 Nm
- > 4,000 bar → 45 Nm

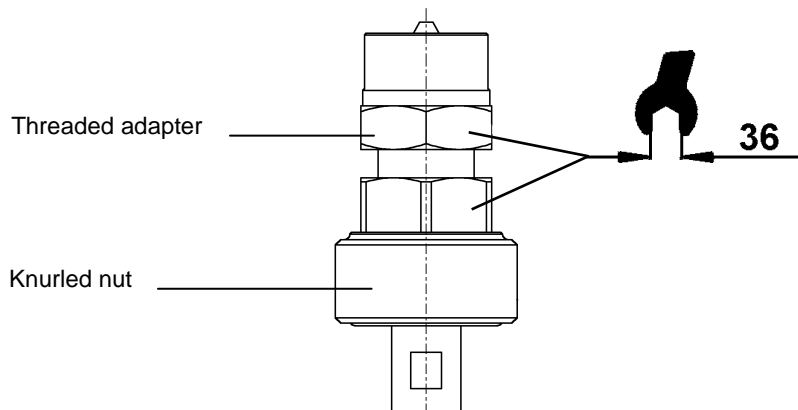


A connecting adapter with G ½ female thread with an O-ring seal is available as an accessory. The maximum pressure permitted with the use of this adapter is limited to 1,600 bar.

- First, install the matching threaded adapter on your test specimen.
- Before installing the test specimen the piping must be vented. For this purpose oil from the reservoir has to be pumped into the system by operating the initial pressure pump carefully. Pressure is admitted as long as the oil reaches the sealing cone inside the opened test specimen connection and as long as no air bubbles escape. For this the low-pressure shut-off valve (LP) must be closed, the high-pressure shut-off valve (HP) must be opened and the piston/cylinder system must be mounted.



- Then connect the test specimen, including the installed threaded adapter, to the knurled nut of the test specimen connection at the pressure balance. The free-running knurled nut enables the orientation of the test specimen. Firmly tighten the knurled nut and the threaded adapter with a flat wrench in the desired clamping position. The wrench width for the knurled nut and the threaded adapter is SW 36.



- Additional sealing elements are not required. Sealing is performed purely metallic using a sealing cone.

### 3.1.4 Venting the System

After the clamping of the piston/cylinder system and the test specimen, air may be trapped in the system again. The system has to be vented before beginning with calibration using the following procedure:

- The piston/cylinder system and test specimen must be clamped, and the complete weight set must be placed on the piston/cylinder system.
- Close the low-pressure shut-off valve
- Open the high-pressure shut-off valve
- Generate a pressure of approximately 50 bar using the initial pressure pump
- Close the high-pressure shut-off valve
- Increase the pressure with the spindle pump until just below the final value of the value range of the piston/cylinder system, or of the test specimen (the smaller pressure range is the decisive factor).



**Important: The piston/cylinder system must remain in its lower position for this operation, i.e. not yet moving into equilibrium.**

- Carefully open the high-pressure shut-off valve, any trapped air will escape into the tank
- Open the low-pressure shut-off valve

This procedure may need to be repeated several times in order to remove all trapped air.

Opening the high-pressure shut-off valve without first turning out the spindle pump in counter-clockwise direction in order to relieve the system on initial pressure is permitted only with the venting procedure described herein, since the piston is located in the lower position.



**After generating initial pressure, the high-pressure shut-off valve must always be closed before pressure is increased using the spindle pump. An integrated safety overflow valve (adjusted to approximately 100 bar) additionally protects the low-pressure circulation from any errors on the operator's part.**



**Before generating initial pressure, check if the user handles are tightened (e. g. black plastic topping of the priming pump).**



**Before generating initial pressure, check if the connection to your device under test is tightened. See max. torque for connection and test item column.**

The device is now ready to use.



### 3.2 Operation

#### 3.2.1 Weight Pieces

- Stack the weight pieces onto the bell depending on the pressure value that is required.
- It is usually best to start with the heaviest weight so that the centre of gravity is as low as possible.
- Each component is identified by a consecutive number. In the calibration certificate to each number the resultant pressure assuming reference conditions is listed.

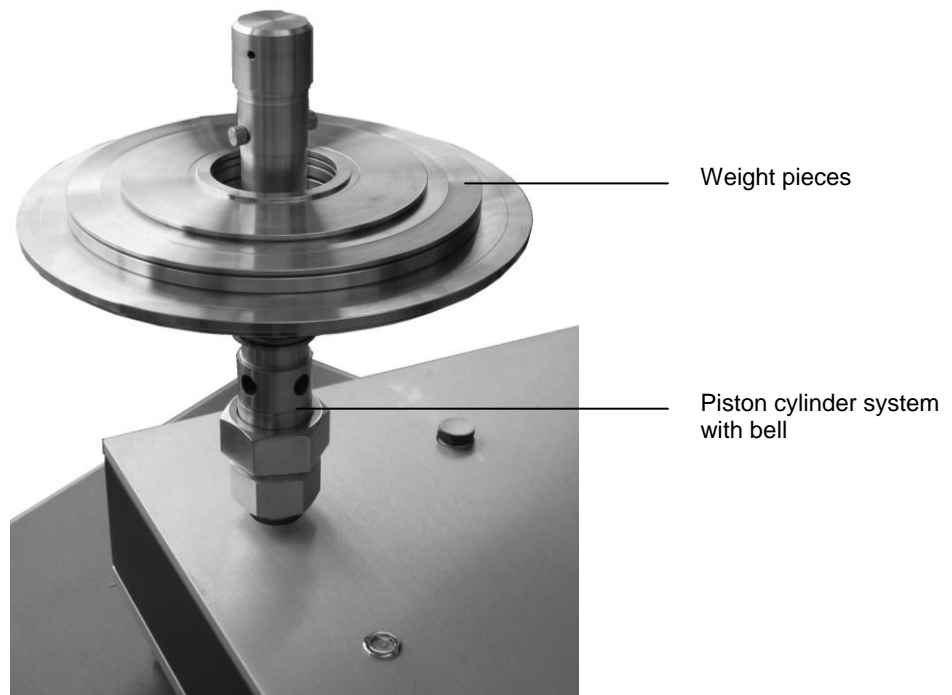
Example table from a calibration certificate page 2:

**Druckwerte der Gewichtsstücke / Pressure values of masses**

Bezeichnung des Gewichtsstückes <i>type of weight piece</i>	Nr. <i>no.</i>	wahre Masse <i>true mass</i> in kg	Druckwert für HD-System <i>pressure value</i> for HP-system in bar
Kolben / <i>piston</i>	1207	0.51001	24.9972
Masse / <i>weight piece</i>	1	0.10231	5.0143
Masse / <i>weight piece</i>	2	4.09305	200.6150
Masse / <i>weight piece</i>	3	4.09305	200.6150
Masse / <i>weight piece</i>	4	4.09305	200.6150
Masse / <i>weight piece</i>	5	4.09305	200.6150
Masse / <i>weight piece</i>	6	4.09305	200.6150
Masse / <i>weight piece</i>	7	4.09305	200.6150
Masse / <i>weight piece</i>	8	4.09305	200.6150
Masse / <i>weight piece</i>	9	4.09305	200.6150
Masse / <i>weight piece</i>	10	2.04650	100.3065
Masse / <i>weight piece</i>	11	2.04650	100.3065
Masse / <i>weight piece</i>	12	2.04650	100.3065
Masse / <i>weight piece</i>	13	2.04650	100.3065
Masse / <i>weight piece</i>	14	2.04650	100.3065
Masse / <i>weight piece</i>	15	2.04650	100.3065
Masse / <i>weight piece</i>	16	2.04650	100.3065
Masse / <i>weight piece</i>	17	2.04650	100.3065
Masse / <i>weight piece</i>	18	2.04650	100.3065
Masse / <i>weight piece</i>	19	1.02526	50.2517
Masse / <i>weight piece</i>	20	0.51163	25.0768
Masse / <i>weight piece</i>	21	0.51163	25.0768
Masse / <i>weight piece</i>	22	0.20465	10.0307
Masse / <i>weight piece</i>	23	0.10232	5.0153
Masse / <i>weight piece</i>	24	0.05116	2.5077

Example: weight piece no. 5 generates a pressure value of 200.6150 bar with its weight value of 4.09305 kg assuming reference conditions (room temperature 20°C, air pressure 1,013 mbar, relative humidity 40 %)

- The pressure that will be achieved thus corresponds to the sum of the basic weight (piston), the bell and the weight rings.



### 3.2.2 Approaching the pressure value (increasing pressure)



We recommend unscrewing the spindle pump completely when you start to record measurement values, (turning anticlockwise) to allow enough volume for measurements. The low-pressure and high-pressure shut-off valve must be opened during this process.

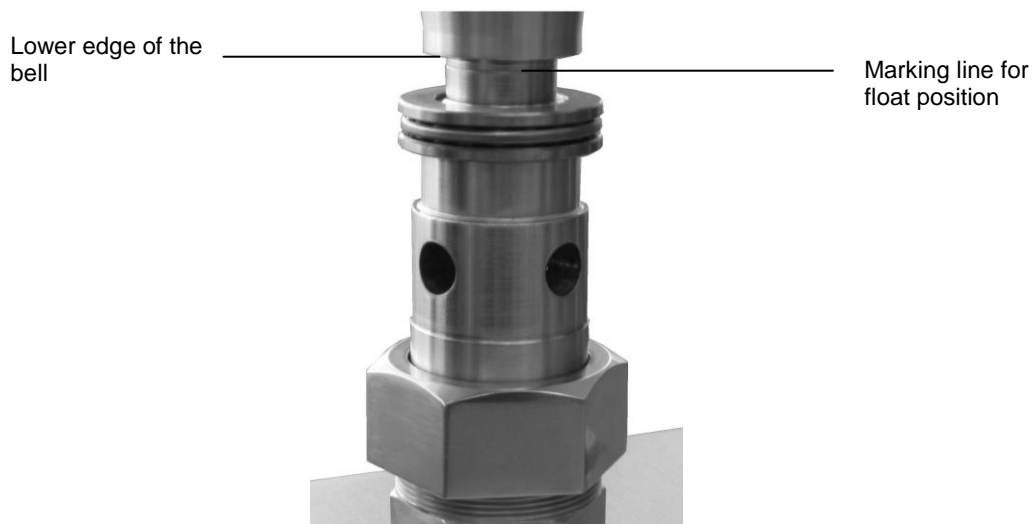
- The system must first be filled with oil and pre-compressed.
- For this the valves must be in the basic position:
  - Low-pressure shut-off valve closed
  - High-pressure shut-off valve opened
- Then run the initial pressure pump for several strokes. The pressure increases to a maximum of about 50 bar (depending on the volume of the connected test specimen).
- The high-pressure shut-off valve must be closed after pre-pressure generation.
- After that, increase the pressure by turning the built-in spindle pump clockwise.



**After generating initial pressure, the high-pressure shut-off valve must always be closed, before pressure is increased using the spindle pump. An integrated safety overflow valve (adjusted to approximately 100 bar) additionally protects the low-pressure circulation from any errors on the operator's part.**

### 3.2.3 Pressure stable

- Continue admitting pressure until the system is in a state of equilibrium.
- The piston is in the float position. In this case the lower edge of the bell must stay at the position of the marking line of the piston/cylinder system.



**Just before the float position, the system increases quickly. We therefore recommend turning the spindle slowly and evenly clockwise.**

- To minimise the effect of friction, move the system up against the weight pieces carefully and make a turning movement.



**Never move the system up and make a turning movement, if the piston is in the upper block position.**

**For the lower position consider the following course of action which applies to all pressure values:**

1. **Apply approximately 95 % of the test pressure**
2. **Bring the masses in rotation and increase simultaneously the pressure until the float position is reached**

- The piston and thus the test pressure as well now remain stable for several minutes.

### 3.2.4 Next pressure level

- To adjust to the next highest pressure, repeat the previous steps from 3.2.1 to 3.2.3

### 3.2.5 Approaching the pressure value (decreasing pressure)

- Turn the spindle pump anticlockwise to release pressure in the system.
- If the pressure is close to the next test level, make the fine adjustment with the spindle wheel.



**Caution:**

**The piston is lowered very quickly just before equilibrium is achieved.**



**Caution:**

**Do not remove masses completely from the piston/cylinder system under pressure.**



**Caution:**

**Remove the masses individually and regulate the pressure gradually to the same extent.**

- Once the spindle pump is turned back completely counter-clockwise, only the initial pressure remains in the system.
- Now the high-pressure shut-off valve can be opened.



**Open the high-pressure shut-off valve only if the pressure in the system has been relieved to initial pressure. For this purpose, always first turn the spindle pump back completely counter-clockwise.**

- The initial pressure can be further relieved by carefully opening the low-pressure shut-off valve.
- By completely opening the low-pressure shut-off valve, the initial pressure will completely escape back into the tank.
- The system is now completely relieved



**Even if you wish to relieve the system from a high pressure completely down to zero immediately, the spindle pump must first be completely turned back counter-clockwise. Then open the high-pressure shut-off valve, and subsequently open the low-pressure shut-off valve. The initial pressure then escapes completely into the tank. The system is now completely relieved.**

### 3.3 Disassembly

- After all pressure points have been recorded, ensure that the system is depressurised (see section 3.2.5).
- Now the test specimen can be unscrewed from the test specimen connection.



**Do not disconnect the test specimen or the piston cylinder system until the pressure in the pressure balance has been completely released.**

- The handle bars of the star handle can now be unscrewed from the spindle pump.

### 3.4 Transport



**To avoid the piston cylinder system getting damaged during transport (e.g. for Re-Calibrations), you have to fix the transportation lock at the piston cylinder system (see figure 1 - 5).**

**The transport of the instrument should only be carried out on a pallet!**

- The transportation lock consists of 2 plastic plugs and one metal holder (see figure 1)
- Put both plugs in the opposite holes (see figure 2)
- Check, if the plugs are in the correct position (see figure 3)
- After that push the metal holder carefully over the two plugs (see figure 4). Now the piston cylinder system is protected during the transport (see figure 5)



figure 1



figure 2



figure 3



figure 4

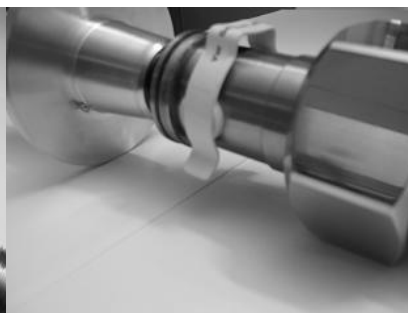


figure 5

#### 4. Troubleshooting measures



If faults cannot be repaired, the system must be put out of operation immediately and this information is to be given to the manufacturer.

Repairs must only be carried out by the manufacturer. Interventions and changes on the appliance are not allowed.

Table: Fault description and measures

Type of fault	Measures
I. Unable to build up pressure during pre-pressure generation	<ul style="list-style-type: none"> <li>■ Close low-pressure shut-off valve correctly</li> <li>■ <b>Attention:</b> Do not tighten the shut-off valve more than finger tight. Otherwise the valve seat could be damaged.</li> </ul>
II. Unable to build up further pressure at high-pressure generation with the spindle pump	<ul style="list-style-type: none"> <li>■ Close high-pressure shut-off valve correctly</li> <li>■ <b>Please note:</b> In case of an opened, or not properly closed high-pressure shut-off valve, the safety overflow valve is not activated until approximately 100 bar are reached, and the oil will flow back into the tank. Therefore, no pressure &gt; 100 bar can be built up.</li> </ul>
III. Unable to build up pressure / oil discharge at the piston/cylinder system receptacle, or the test specimen connection	<ul style="list-style-type: none"> <li>■ Tighten the piston/cylinder system in the piston receptacle (see section 3.1.2)</li> <li>■ Tighten the test specimen with the connecting adapter and knurled nut (see section 3.1.3)</li> <li>■ In case of wear or damage to the sealing cone, proceed as described in section 5.2.</li> </ul>
IV. Unable to build up pressure, or range cannot be reached	<ul style="list-style-type: none"> <li>■ After the clamping of the piston/cylinder system and the test specimen, air may be trapped in the system.</li> <li>■ <b>Please note:</b> The system should be vented before beginning with calibration. For this purpose, proceed according to section 3.1.4.</li> <li>■ Afterwards, build the pressure back up.</li> </ul>

<p>V. Slow lowering of the piston in equilibrium</p>	<ul style="list-style-type: none"> <li>■ Leak in the system, see fault III.</li> <li>■ After the clamping of the piston/cylinder system and the test specimen, air may be trapped in the system.</li> <li>■ Afterwards, build the pressure back up.</li> </ul>
<p>VI. Piston is not turning or does not respond readily</p>	<ul style="list-style-type: none"> <li>■ <b>Attention:</b> If the piston is not turning easily or "squeaks", do not under any circumstances force it to turn. Doing so could cause lasting damage that would seriously affect measurement properties.</li> <li>■ The piston/cylinder system must be reconditioned by authorised specialists (see section 5.1.1)</li> </ul>

Further help can be found through WIKA's Calibration Technology Department.

## 5. Maintenance and Care

### 5.1 Cleaning

#### 5.1.1 Piston/Cylinder system

The high-pressure design is a special layout for ensuring stable operation in spite of strong forces.

This system is self-cleaning and is checked for every calibration. Should the operating characteristics still deteriorate, e.g. due to oil contamination (the signs for this would be bad sensitivity, or short duration of free rotation), please contact WIKA.



**The combined piston/bell system should only be disassembled, cleaned or repaired by authorised specialists.**

#### 5.1.2 Weight Set

- The weights should be handled with gloves.
- If fingerprints or other impurities are found on the weight pieces in spite of this precaution, they can be removed with alcohol (spirit).

### 5.2 Wear Parts

Sealing in the piston receptacle and in the test specimen connection is purely metallic using a sealing cone. The individual components are made of wear-proof materials. Should the seal faces show signs of wear or damage on the interior or exterior cone, the components must be replaced. In this case, please contact the manufacturer.



### 5.3 Changing the Hydraulic Oil

The hydraulic oil should be changed whenever visible contamination is present.

#### 5.3.1 Removing Hydraulic Oil

- Open the locking screw with the oil filling symbol on top of the basement
- Siphon the oil out of the tank, for example, by using a suitable nozzle
- Small amounts of oil residue additionally may be siphoned off from the openings of the piston and test specimen receptacle with screwed-off piston/cylinder system and test specimen. For this purpose, the spindle pump must be slowly turned in clockwise with the low-pressure and high-pressure shut-off valves open.
- Minute amounts of oil residue may remain in the piping



In case of severe contamination of the hydraulic oil, the complete cleaning of the piping and of all media-contacted individual components of the basement in a dismantled state may be advisable. This procedure may be performed by the manufacturer only.



**Waste oil must be disposed of according to legal requirements.**

#### 5.3.2 Filling in of Hydraulic Oil

- Open the high-pressure shut-off valve
- Open the low-pressure shut-off valve
- Turn in the spindle pump clockwise until it reaches the initial stop
- Open the locking screw with the oil filling symbol on top of the basement
- Fill in special oil (1 litre supplied, or available as accessory) via the tank opening, until the fill level reaches the thread of the tank opening (approximately 250ml). The fill level must always be observed.
- Twist out the spindle pump counter-clockwise until it reaches the rear stop. The filling medium is suctioned out of the tank into the system.
- Close the tank opening with the locking screw

#### 5.3.3 Venting of the System (after Complete Filling only)

After initial filling, or after a complete oil change, air may be trapped in the system. The system should be vented using the following procedure:

- Open the high-pressure shut-off valve
- Open the low-pressure shut-off valve
- The piston/cylinder system and test specimen connections must be open
- Twist out the spindle pump counter-clockwise until it reaches the rear stop.
- Carefully pump using the initial pressure pump, while continuously observing the filling medium in the open piston receptacle and test specimen connections. At this point, trapped air escapes toward the exterior by means of the formation of bubbles. The initial pressure pump must be actuated until air bubbles no longer appear.
- Any oil escaping in the open piston receptacle and test specimen connections should be siphoned off, for example, with a nozzle.

## 5.4 Recalibration

The recommended interval between recalibrations is 5 years.

This is the recommendation of the German Calibration Service (DKD/DAkkS)

This interval assumes the system and weights are handled carefully.

If the system is in rough usage, we recommend shortening the interval to about three years.

The pressure balance should be immediately maintained and recalibrated, if:

- the operating characteristics deteriorate (duration of free rotation, sink rate, sensitivity)
- the weight pieces are damaged or corroded



**To avoid the piston cylinder system getting damaged during transport, you have to fix the transportation lock at the piston cylinder system (see section 3.4)**

For recalibration or if you have questions about the optimal recalibration cycle, the DKD lab would be happy to assist you:

WIKA Alexander Wiegand SE & Co. KG  
DKD-Kalibrierlaboratorium  
Alexander-Wiegand-Strasse  
63911 Klingenberg / Germany

Phone: (+49) 93 72 / 132 – 473  
Fax: (+49) 93 72 / 132 - 8767  
E-Mail: calibration@wika.de

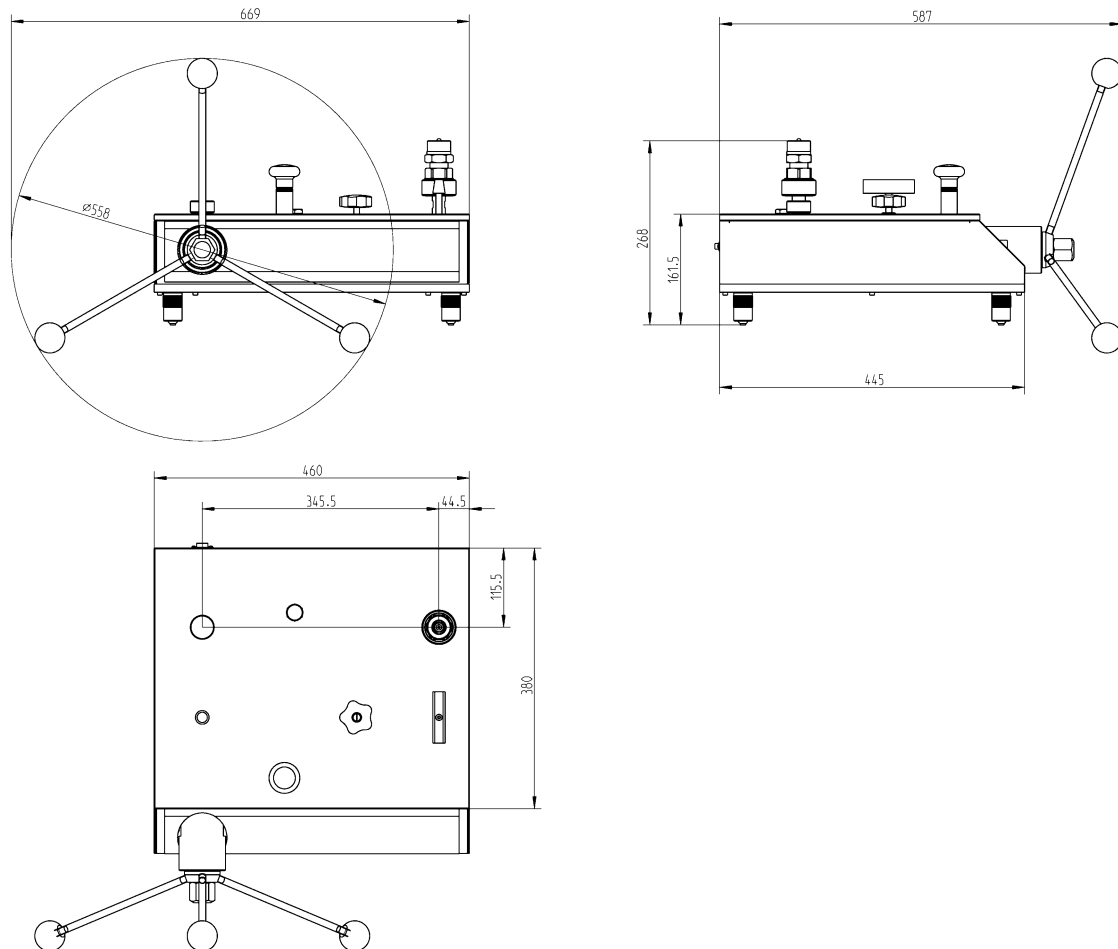
**6. Specifications**

Measuring range	bar <sup>1)</sup>	25 ... 2,500	25 ... 4,000	25 ... 5,000
Required weights	kg	50	80	100
Smallest step	bar <sup>2)</sup>	2.5	2.5	2.5
Nominal cross-sectional area of the piston	cm <sup>2</sup>	0.02	0.02	0.02
Measuring range	psi <sup>1)</sup>	350 ... 40,000	350 ... 60,000	350 ... 70,000
Required weights	kg	55	83	97
Smallest step	psi <sup>2)</sup>	50	50	50
Nominal cross-sectional area of the piston	cm <sup>2</sup>	0.02	0.02	0.02
Accuracy <sup>3)</sup>		0.025 % of reading, optional 0.02 % <sup>4)</sup>		
Pressure transmission medium		up to 4,000 bar/60,000 psi: mineral oil based hydraulic fluid (1 litre is included in delivery) 5,000 bar/70,000 psi: Sebacate-oil (0.5 litre is included in delivery)		
Oil reservoir	cm <sup>3</sup>	250		
Connection for the test specimen		test specimen can be freely positioned, 3 threaded adapters as standard M16 x 1.5 / M20 x 1.5 and 9/16-18UNF, other threaded adapters see accessories		
Material				
■ Piston		hardened steel		
■ Cylinder		tungsten carbide		
■ Mass-set		stainless steel 1.4305 and aluminium, unmagnetic		
■ Instrument base tubing		stainless steel 1.4404, 6 x 2 mm		
Operating temperature	°C	18 ... 28		
Weight				
■ Instrument base, high pressure	kg	32.5		
■ Piston cylinder system	kg	2.7 / 5.0 (incl. carrying case)		
■ BAR basic mass-set part 1	kg	34.0 (incl. carrying case)		
■ BAR basic mass-set part 2	kg	27.5 (incl. carrying case)		
■ BAR mass-set extension (for 4,000 bar and 5,000 bar)	kg	33.5 (incl. carrying case)		
■ BAR mass-set extension, part 2 (only for 5,000 bar)	kg	23.5 (incl. carrying case)		
Weight				
■ PSI basic mass-set part 1	kg	51.0 (incl. carrying case)		
■ PSI basic mass-set part 2	kg	15.0 (incl. carrying case)		
■ PSI mass-set extension (for 60,000 psi and 70,000 psi)	kg	31.8 (incl. carrying case)		
■ PSI mass-set extension, part 2 (only for 70,000 psi)	kg	17.8 (incl. carrying case)		
Dimensions				
■ Instrument base	mm	460 (W) x 445 (D) x 265 (H), , for details see technical drawing		
■ Carrying case for basic mass-set part 1	mm	400 (W) x 310 (D) x 310 (H)		
■ Carrying case for basic mass-set part 2	mm	215 (W) x 310 (D) x 310 (H)		
■ Carrying case for mass-set extension	mm	215 (W) x 310 (D) x 310 (H)		
■ Carrying case for piston/cylinder system	mm	370 (W) x 150 (D) x 150 (H)		
CE-conformity				
■ Pressure equipment directive		97/23/EC, Module A (valid until 2016-07-18) 2014/68/EU, Module A (valid from 2016-07-19)		
Calibration		Factory calibration certificate / optional: DKD/DAkKS calibration certificate		

1) Theoretical starting value; corresponds to the pressure value generated by the piston (by its own weight). To optimise the operating characteristics more weights should be loaded.

- 2) The lowest pressure change value that is reached based on the standard weight set. A fine weight set is also available for lower values.
- 3) The accuracy is in reference to the measurement value, from 10% of the measurement range. A fixed error is considered in the lower area in reference to 10% of the area.
- 4) Measurement uncertainty assuming reference conditions (room temperature 20 °C, air pressure 1,013 mbar, relative humidity 40 %). Corrections may be required for use without CalibratorUnit.

## Dimensions



## Scope of supply

- Instrument base with dust cover
- Initial pressure pump
- Spindle pump for pressure generation/fine adjustment
- Connection for piston cylinder system
- Connection for test devices with 3 threaded adapters M16x 1.5 / M20 x 1.5 and 9/16-18 UNF
- Piston cylinder system with bell jar
- Basic mass set divided into 2 carrying cases
- Mass-set extension in 1 carrying case (for 4,000 bar or 60,000 psi resp. in 2 carrying cases for 5,000 bar or 70,000 psi)
- Mass-set manufactured to standard gravity (9.80665 m/s<sup>2</sup>)
- Operating fluid 1.0 litre (up to 4,000 bar/ 60,000 psi)
- Operating fluid 0.5 litre (for 5,000 bar/ 70,000psi)
- Wrenches 36 flats and 46 flats
- Operating instructions in German and English
- Factory calibration certificate

## Options

- Systems with increased accuracy to 0.02 %
- Mass-set manufactured to local gravity
- DKD/DAkS calibration certificate

## 7. Tables of masses

The following tables show the amount of weight pieces per measuring range within a weight set with their nominal mass values and the resulting nominal pressures.

Should you not operate the device under reference conditions (ambient temperature 20 °C, air pressure 1,013 mbar, relative humidity 40 %), the corrections according to section 2.3 must be considered.

	25...2500 bar		25...4000 bar		25...5000 bar	
	Pieces	nominal pressure per piece	Pieces	nominal pressure per piece	Pieces	nominal pressure per piece
		bar		bar		bar
Piston incl. bell	1	25	1	25	1	25
Masses á 5 kg	-	-	6	250	10	250
Masses á 4 kg	8	200	8	200	8	200
Masses á 2 kg	9	100	9	100	9	100
Masses á 1 kg	1	50	1	50	1	50
Masses á 0.5 kg	2	25	2	25	2	25
Masses á 0.2 kg	1	10	1	10	1	10
Masses á 0.1 kg	1	5	1	5	1	5
Masses á 0.05 kg	1	2.5	1	2.5	1	2.5

	350...40000 psi		350...60000 psi		350...70000 psi	
	Pieces	nominal pressure per piece	Pieces	nominal pressure per piece	Pieces	nominal pressure per piece
		psi		psi		psi
Piston incl. bell	1	350	1	350	1	350
Masses á 7 kg	2	5000	6	5000	8	5000
Masses á 3,5 kg	8	2500	8	2500	8	2500
Masses á 1,4 kg	8	1000	8	1000	8	1000
Masses á 1 kg	1	750	1	750	1	750
Masses á 0.7 kg	2	500	2	500	2	500
Masses á 0.35 kg	1	250	1	250	1	250
Masses á 0.14 kg	1	100	1	100	1	100
Masses á 0.07 kg	1	50	1	50	1	50

## 8. Accessories

### Calibrator Unit model CPU6000

The models of the CPU6000 series are compact tools for use with a pressure balance. In particular when highly-accurate measuring values, with measurement uncertainties of less than 0.025 %, are required, complicated mathematical calculations and corrections are necessary. With the CPU6000 in combination with the CPB-CAL (iPad® app) and/or WIKA-CAL (PC software) all critical ambient parameters can be registered and automatically corrected.

The CPU6000 series is made up of three instruments:

#### Weather station, model CPU6000-W

The CPU6000-W provides measured values such as atmospheric air pressure, relative humidity and the ambient temperature of the laboratory environment.

#### Pressure balance sensor box, model CPU6000-S

The CPU6000-S measures the piston temperature and displays the floating position of the masses.

#### Digital multimeter, model CPU6000-M

The CPU6000-M fulfills the function of a digital multimeter and power supply unit when electronic pressure transmitters must be calibrated.

#### CPB-CAL iPad® app

The iPad® application calculates the mass loads for pressure balances or the reference pressure while taking the measured parameters from the CPU6000 into account. The conversion can be carried out in all common pressure units. As an additional parameter, the local gravity can be specified for location-independent measurements.

#### WIKA-CAL PC software – Weight calculator

With the demo version of the WIKA-CAL software and a CPB series pressure balance, the masses to be applied and the corresponding reference pressure can be determined. The pressure balance data can be entered into the database manually or imported automatically via an online available XML file. All ambient parameters and piston temperature can be entered manually into WIKA-CAL or can be measured automatically with the CPU6000 series, so that the highest accuracy can be achieved. WIKA-CAL demo version can be downloaded free of charge from the WIKA website.

Further specifications on the CPU6000 series can be found in data sheet CT 35.02.

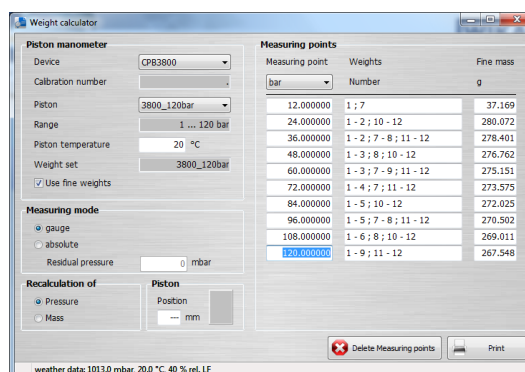
For details of the WIKA-CAL calibration software see data sheet CT 95.10.



CPU6000 series and iPad®-App CPB-CAL



Model CPU6000-W, CPU6000-S, CPB5800 and PC with WIKA-CAL software



WIKA-CAL PC software – Weight calculator

D



**Information**  
Dieses Zeichen gibt Ihnen Informationen, Hinweise oder Tipps.



**Warnung!**  
Dieses Symbol warnt Sie vor Handlungen, die Schäden an Personen oder am Gerät verursachen können.

# Inhalt

<b>1. Allgemeines</b>	<b>33</b>
1.1 Allgemeine Hinweise	33
1.2 Sicherheitshinweise	34
<b>2. Produktbeschreibung</b>	<b>36</b>
2.1 Allgemeine Produktinformationen	36
2.2 Grundprinzip Kolbenmanometer	37
2.3 Einflussfaktoren	37
2.3.1 Lokale Fallbeschleunigung	37
2.3.2 Temperatur (Kolben-Zylinder)	38
2.3.3 Umgebungsbedingungen	38
2.3.4 Druckabhängigkeit der Querschnittsfläche	39
2.4 Anordnung der Bedienelemente	40
<b>3. Inbetriebnahme und Betrieb</b>	<b>41</b>
3.1 Vorbereitung	41
3.1.1 Aufstellung des Gerätes	41
3.1.2 Einbau des Kolben-Zylinder-Systems	42
3.1.3 Anschluss des Prüflings	43
3.1.4 Entlüftung des Systems	44
3.2 Betrieb	46
3.2.1 Masseauflagen	46
3.2.2 Druckwert anfahren (steigender Druck)	47
3.2.3 Druck stabil	48
3.2.4 Nächste Druckstufe	48
3.2.5 Druckwert anfahren (fallender Druck)	49
3.3 Abbau	50
3.4 Transport	50
<b>4. Maßnahmen bei Störungen</b>	<b>51</b>
<b>5. Pflege und Wartung</b>	<b>53</b>
5.1 Reinigung	53
5.1.1 Kolben-Zylinder-System	53
5.1.2 Massensatz	53
5.2 Verschleißteile	53
5.3 Austausch des Hydrauliköls	54
5.3.1 Hydrauliköl entfernen	54
5.3.2 Hydrauliköl einfüllen	54
5.3.3 Entlüftung des Systems (nur nach Komplettbefüllung)	54
5.4 Rekalibrierung	55
<b>6. Technische Daten</b>	<b>56</b>
<b>7. Gewichtstabellen</b>	<b>58</b>
<b>8. Zubehör</b>	<b>59</b>



## **1. Allgemeines**

### **1.1 Allgemeine Hinweise**

In den folgenden Kapiteln erhalten Sie nähere Informationen zum Höchstdruck Kolbenmanometer CPB5000HP und seinen ordnungsgemäßen Einsatz. Sollten Sie weitere Informationen wünschen, oder treten besondere Probleme auf, die in der Betriebsanleitung nicht ausführlich behandelt werden, erhalten Sie Auskunft unter folgender Adresse:

#### **WIKA Alexander Wiegand SE & Co. KG**

Alexander Wiegand Strasse  
D-63911 Klingenberg  
Tel: +49-(0)9372/132-473  
Fax: +49-(0)9372/132-8767  
E-Mail: calibration@wika.de

Das Kolbenmanometer ist, wenn nicht anders vereinbart, konform zu den aktuell gültigen internationalen Regelwerken kalibriert und direkt auf ein nationales Normal rückführbar.

Die Gewährleistungszeit für das Kolbenmanometer beträgt 24 Monate nach den Allgemeinen Lieferbedingungen des ZVEI. Sämtliche Gewährleistungsansprüche verfallen, bei unsachgemäßer Handhabung bzw. bei Nichtbeachtung der Betriebsleitungen oder bei dem Versuch das Gerät zu öffnen bzw. Anbauteile oder die Verrohrung zu lösen.

Außerdem weisen wir darauf hin, dass der Inhalt dieser Betriebsanleitung nicht Teil einer früheren oder bestehenden Vereinbarung, Zusage oder Rechtsverhältnisses ist oder diese abändern soll. Sämtliche Verpflichtungen der WIKA Alexander Wiegand SE & Co. KG ergeben sich aus dem jeweiligen Kaufvertrag und den Allgemeinen Geschäftsbedingungen der WIKA Alexander Wiegand SE & Co. KG.

WIKA ist ein eingetragenes Warenzeichen der WIKA Alexander Wiegand SE & Co. KG.

Firmen- oder Produktnamen, die in diesem Handbuch erwähnt werden, sind eingetragene Warenzeichen dieser Hersteller.

Die beschriebenen Geräte entsprechen in ihren Konstruktionen, Maßen und Werkstoffen dem derzeitigen Stand der Technik. Änderungen und den Austausch von Werkstoffen behalten wir uns vor, ohne den Zwang umgehend darauf hinzuweisen.

Eine Vervielfältigung dieses Handbuches oder Teilen davon ist untersagt.

## 1.2 Sicherheitshinweise



**Lesen Sie diese Bedienungsanleitung sorgfältig, bevor Sie das Höchstdruck Kolbenmanometer CPB5000HP einsetzen. Die Funktion und Betriebssicherheit des Gerätes kann nur dann gewährleistet werden, wenn die Sicherheitshinweise der Betriebsanleitung beachtet werden.**

1. Das Gerät darf nur von dafür ausgebildeten und befugten Personen bedient werden, die die Betriebsanleitung kennen und danach arbeiten können!
2. Die einwandfreie Funktion und Betriebssicherheit des Gerätes kann nur unter Berücksichtigung der im Kapitel "Aufstellung des Gerätes" beschriebenen Bedingungen eingehalten werden.
3. Das CPB5000HP ist stets mit der für ein Präzisionsgerät erforderlichen Sorgfalt zu behandeln (vor Nässe, Stößen und extremen Temperaturen schützen). Gerät, Kolben-Zylinder-System und Massensatz müssen pfleglich behandelt werden (nicht werfen, aufschlagen, etc.) und sind vor Verschmutzung zu schützen. Vermeiden Sie unbedingt jegliche Gewalteinwirkung auf die Bedienungselemente des CPB5000HP.
4. Wird das Gerät von einer kalten in eine warme Umgebung transportiert, muss die Angleichung der Gerätetemperatur an die Raumtemperatur vor einer erneuten Inbetriebnahme abgewartet werden.
5. Wenn anzunehmen ist, dass das Gerät nicht mehr gefahrlos betrieben werden kann, so ist es außer Betrieb zu setzen und vor einer Wiederinbetriebnahme durch Kennzeichnung zu sichern. Die Sicherheit des Benutzers kann durch das Gerät beeinträchtigt sein, wenn es zum Beispiel:
  - Sichtbare Schäden aufweist.
  - Nicht mehr wie vorgeschrieben arbeitet.
  - Längere Zeit unter ungeeigneten Bedingungen gelagert wurde.In Zweifelsfällen das Gerät grundsätzlich an den Hersteller zur Reparatur bzw. Wartung einschicken.
6. Es dürfen am Gerät keine Veränderungen oder Reparaturen vom Kunden vorgenommen werden. Das Öffnen des Gerätes oder das Lösen von Anbauteilen oder der Verrohrung beeinträchtigt die Funktions- und Betriebssicherheit und stellt eine Gefahr für die Bedienperson dar. Zur Wartung oder Reparatur muss das Gerät zum Hersteller eingesandt werden.
7. Ein anderer Betrieb als der in der folgenden Anleitung beschriebene oder außerhalb der Spezifikationen, ist bestimmungswidrig und muss deshalb ausgeschlossen werden.



**Beim Überschreiten des spezifizierten Nenndrucks des Geräts, kann die Genauigkeit und Lebensdauer des Kolbenzylindersystems verringert werden.**



Tragen Sie eine Schutzbrille zum Schutz vor austretendem Öl.



Verwenden Sie ausschließlich Zubehör wie z.B. Gewintheadapter, welches für den Druckbereich bzw. das verwendete Medium geeignet ist.



Siehe Sicherheitsdatenblatt des verwendeten Mediums unter der Produktseite CPB5000HP unter [www.wika.de](http://www.wika.de)

## 2. Produktbeschreibung

### 2.1 Allgemeine Produktinformationen

#### ■ Einsatz

Kolbenmanometer sind die genauesten am Markt verfügbaren Geräte zur Kalibrierung von elektronischen oder mechanischen Druckmessgeräten. Die direkte Messung des Druckes, gemäß seiner Definition als Quotient aus Kraft und Fläche, sowie der Einsatz hochwertiger Materialien ermöglichen sehr kleine Messunsicherheiten in Verbindung mit der ausgezeichneten Langzeitstabilität von fünf Jahren (Empfehlung gemäß des Deutschen Kalibrierdienstes DKD).

Das Kolbenmanometer findet somit seit Jahren seinen Einsatz in den Werks- und Kalibrierlaboratorien der Industrie, Nationalen Instituten sowie Forschungsanstalten. Aufgrund der integrierten Druckerzeugung sowie dem rein mechanischen Messprinzip, ist das CPB5000HP auch ideal für den Einsatz vor Ort, in der Wartung und im Service geeignet.

#### ■ Kolben-Zylinder-System

Die hydraulischen Höchstdruck-Messsysteme sind für Druckbereiche 2.500 bar, 4.000 bar und 5.000 bar bzw. 40.000 psi und 60.000 psi und 70.000 psi erhältlich. Die Genauigkeit liegt bei 0,025 % (optional auch 0,02 %) vom Messwert.

#### ■ Funktionsweise

Zur Erzeugung der einzelnen Prüfpunkte, wird das Kolben-Zylinder-System mit Masse-Auflagen belastet. Diese Scheiben-Gewichte sind speziell auf ihren Einsatzort abgestimmt und können ebenfalls DKD-kalibriert werden.

Die Einstellung des Druckes erfolgt über eine integrierte Pumpe. Zur Feineinstellung steht ein regelbares Volumen mit Präzisionsspindel zur Verfügung. Die Masseauflage ist proportional zu dem angestrebten Druck und wird durch optimal abgestufte Masseauflagen erreicht. Sobald sich dann das Messsystem im Schwebezustand befindet, herrscht ein Kräftegleichgewicht zwischen Druck und Masseauflagen.

Aufgrund der hochwertigen Verarbeitung des Systems steht dieser Druck stabil über mehrere Minuten, so dass problemlos z.B. auch längere Justagearbeiten am Prüfling vorgenommen werden können.

## 2.2 Grundprinzip Kolbenmanometer

Ihr Funktionsprinzip basiert auf der physikalischen Definition des Druckes, als Quotient aus Kraft und Fläche.

$$Druck = \frac{Kraft}{Fläche}$$

Herzstück des Kolbenmanometers bildet ein präzisionsgefertigtes Kolben-Zylinder-System mit exakt vermessener Querschnittsfläche.

Zur Kraft-Beaufschlagung des Systems, wird der Kolben mit (kalibrierten) Masseauflagen belastet. Jede Auflagescheibe aus dem Massensatz entspricht einem nominalen Massenwert (unter Referenzbedingungen), die einen entsprechenden Druck im System erzeugt. Die Massenscheiben sind nummeriert und im Kalibrierzeugnis sind die jeweiligen Massenwerte und die daraus resultierenden Druckwerte aufgeführt. Je nach gewünschtem Druckwert, erfolgt die Auswahl der dazu erforderlichen Massen.

Danach erfolgt über die integrierte Spindelpumpe eine Erhöhung des Druckes, bis sich die Massen im Schwebezustand befinden.

## 2.3 Einflussfaktoren

Das Kolbenmanometer wird werkseitig auf Referenzbedingungen (nach Kundenvorgabe) kalibriert. Ergeben sich große Abweichung zwischen den Anwendungsbedingungen zu den definierten Referenzen, müssen entsprechende Korrekturen angebracht werden. Nachfolgende Haupteinflussfaktoren sind zu berücksichtigen.



Mit der CalibratorUnit CPU6000 (siehe Zubehör Pkt. 8) können diese Korrekturen automatisiert erfolgen!

### 2.3.1 Lokale Fallbeschleunigung

Der lokale Schwerewert unterliegt großen, geographisch bedingten, Schwankungen. Weltweit kann sich der Wert um bis zu 0,5 % ändern. Da sich dieser Wert, direkt auf die Genauigkeit der Messung auswirkt, muss er unbedingt berücksichtigt werden.

Bereits bei der Herstellung kann eine Anpassung der Masseauflagen auf den späteren Einsatzort erfolgen. Alternativ hierzu, oder bei Einsatz an mehreren Orten, erfolgt der Abgleich auf „Norm-g = 9,80665 m/s<sup>2</sup>“.

Dann muss jeweils bei der Messung eine Korrektur nach folgender Formel durchgeführt werden:

$$wahrer\ Druck = \text{Nominalwert} \cdot \frac{g - \text{Einsatzort}}{\text{Norm} - g}$$

#### Beispiel:

Lokaler Schwerewert bei der Herstellung: 9,806650 m/s<sup>2</sup>  
Lokaler Schwerewert am Einsatzort: 9,811053 m/s<sup>2</sup>

Nominal-Druck: 100 bar

$$\text{Wahrer Druck: } p = p_{\text{Nominal}} \frac{g_{\text{lokal}}}{g_{\text{Norm}}} = 100 \text{ bar} \frac{9,81105}{9,80665} = 100,0449 \text{ bar}$$

Ohne Korrektur würde um 0,05 % „falsch“ gemessen werden.

### 2.3.2 Temperatur (Kolben-Zylinder)

Die effektive Querschnittsfläche des Kolben-Zylinder-Systems ist abhängig von der Temperatur. Der Einfluss ist abhängig vom verwendeten Material und wird beschrieben durch den Temperaturkoeffizient (TK).

Bei Abweichungen von den Referenzbedingungen (typischerweise 20 °C), muss nach folgender Formel korrigiert werden:

$$\text{wahrer Druck} = \text{Nominalwert} \cdot \frac{1}{\left(1 + (t_{\text{Einsatz}} - t_{\text{Referenz}}) \cdot TK\right)}$$

**Beispiel:**

Referenztemperatur: 20 °C  
Temperatur bei Einsatz: 23 °C  
TK: 0,0022 %

$$\text{wahrer Druck} = 100\text{bar} \cdot \frac{1}{\left(1 + (23 - 20) \cdot 2,2 \cdot 10^{-5}\right)} = 99,99340\text{bar}$$

Ohne Korrektur würde um 0,007 % „falsch“ gemessen werden.

### 2.3.3 Umgebungsbedingungen

Die Einflüsse der Umgebungsbedingungen

- Luftdruck
- Raumtemperatur
- Luftfeuchte

sollten immer berücksichtigt werden, wenn höchste Genauigkeit gefordert ist. Schwankungen der Umgebungsbedingungen verändern die Luftdichte.

Die Luftdichte beeinflusst den Druckwert über den Masseauftrieb:

$$\text{Masse} = \text{Nominalmasse} \cdot \left(1 - \frac{\text{Luftdichte}}{\text{Massendichte}}\right)$$

Die Luftdichte ist typischerweise 1,2 kg/m<sup>3</sup>  
Die Dichte der Massen (nichtmagnetischer Stahl): 7.900 kg/m<sup>3</sup>

Aus einer Schwankung der Luftdichte um 5 % ergibt sich eine zusätzliche Messunsicherheit von ca. 0,001 %.

### 2.3.4 Druckabhängigkeit der Querschnittsfläche

Bei höheren Drücken ändert sich die effektive Querschnittsfläche durch die Druckbelastung. Der Zusammenhang zwischen Querschnitt und anstehendem Druck ist in erster Näherung linear und wird durch den Druckausdehnungskoeffizienten ( $\lambda$ ) beschrieben.

$$\text{wahrer Druck} = \frac{\text{Nominaldruck}}{1 + \lambda \cdot \text{Nominaldruck}}$$

**Beispiel:**

Messpunkt: 1.000 bar

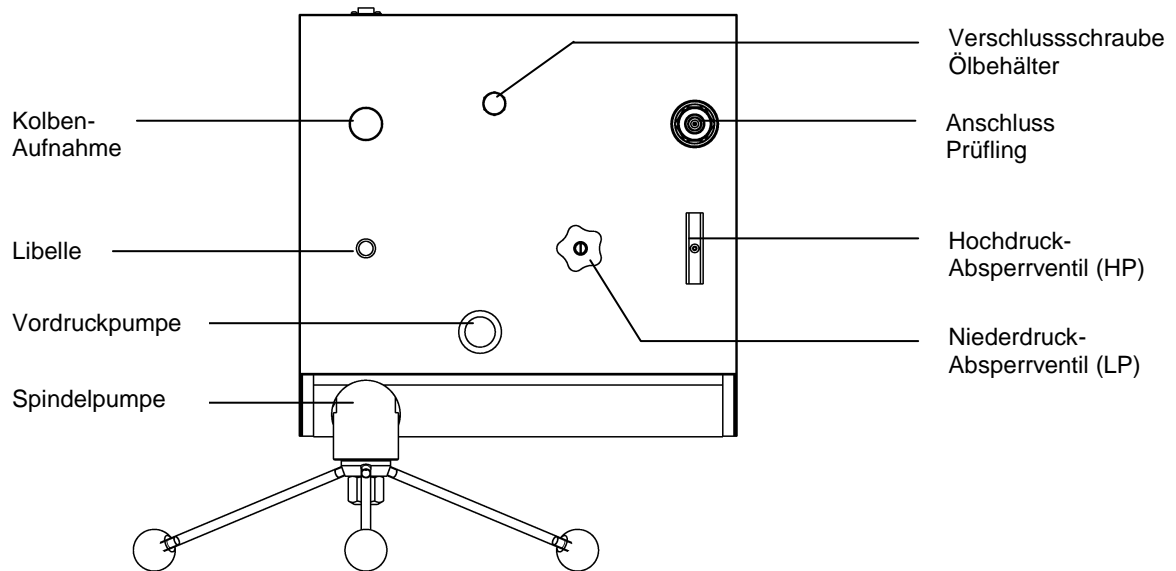
System mit Druckausdehnungskoeffizient:  $10^{-7}$  1/bar:

$$\text{wahrer Druck} = \frac{1000}{1 + 1 \cdot 10^{-7} \cdot 1000} \text{ bar} = 999,90 \text{ bar}$$

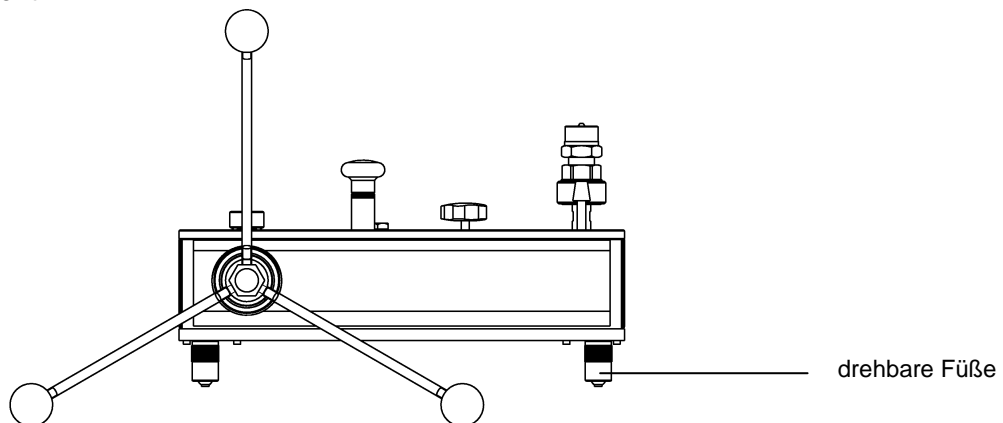
Ohne Korrektur würde um 0,01 % „falsch“ gemessen werden.

## 2.4 Anordnung der Bedienelemente

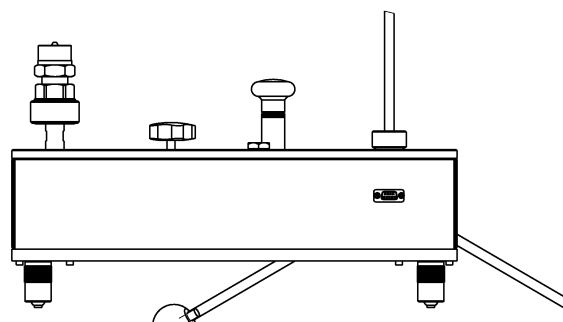
### ■ Draufsicht



### ■ Frontansicht



### ■ Rückansicht





### **3. Inbetriebnahme und Betrieb**

#### **3.1 Vorbereitung**

##### **3.1.1 Aufstellung des Gerätes**

- Das Kolbenmanometer auf einer festen Unterlage aufstellen. Ein unsicherer Stand oder Vibrationen beeinflussen die Messung und sollten vermieden werden.
- Ist kein klimatisierter Raum vorhanden, sollte das Gerät zumindest nicht in der Nähe von Heizung oder Fenster stehen, um Zugerscheinungen oder Wärmeströmungen zu minimieren.
- Die Libelle zeigt die Ausrichtung des Gerätes an. Eine grobe Ausrichtung kann bereits jetzt ohne ConTect-System erfolgen. Über die drehbaren Füße wird das Gerät in die Waagrechte gestellt.
- Gegebenenfalls muss der Ölbehälter auf- bzw. nachgefüllt werden. Hierzu ist die Verschlusschraube mit dem Öleinfüllsymbol auf der Basement-Oberseite zu öffnen. Zum Nachfüllen ist Spezialöl zu verwenden. Bei Erstbefüllung oder nach einem kompletten Austausch des Öls ist das System zu entlüften. Hierzu ist nach Pkt. 5.3.3 vorzugehen.
- Vor dem Betrieb ist die Schutzfolie der Verschlusschraube am Ölbehälter zu entfernen (Abdeckung der Belüftungsbohrung für Transport).
- Die Griffstangen des Drehkreuzes auf die Spindelpumpe aufschrauben.
- Es empfiehlt sich, die Spindelpumpe zu Beginn der Messwertaufnahme komplett herauszudrehen (im Gegen-Uhrzeigersinn) um genügend Volumen für die Messungen bereit zu stellen. Während dieses Vorgangs ist das Niederdruck- und das Hochdruck-Absperrventil zu öffnen.

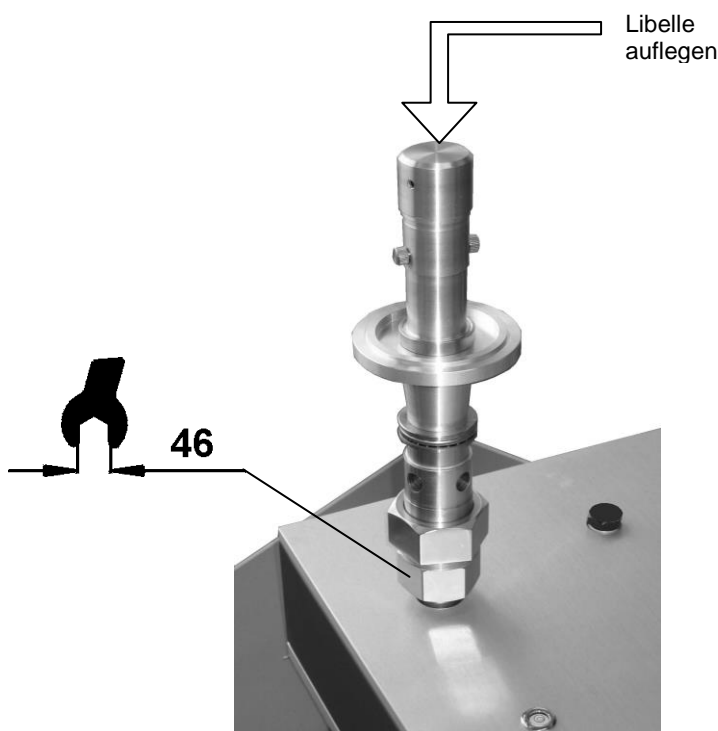
### 3.1.2 Einbau des Kolben-Zylinder-Systems



**Vor Lösen des Verschlussstopfens in der Kolbenaufnahme, den drucklosen Zustand des Systems (Spindelpumpe im Gegen-Uhrzeigersinn komplett zurückgedreht, Hochdruck-Absperrventil öffnen, Niederdruck-Absperrventil öffnen) sicherstellen.**

**Hinweis: Der Verschlussstopfen dient nur zum Verschließen der Kolbenaufnahme gegen auslaufendes Öl oder eindringende Verschmutzung. Er darf auf keinen Fall mit Druck beaufschlagt werden.**

- Transportsicherung lösen und diese für Transporte (z.B. zur Re-Kalibrierung) aufbewahren! (Siehe hierzu auch Pkt. 3.4)
- Vor dem Aufspannen des Kolben-Zylinder-Systems sollte das Leitungssystem entlüftet werden. Hierzu wird durch sehr vorsichtiges Betätigen der Vordruckpumpe Öl vom Tank in das System gepumpt. Es wird solange gepumpt bis Öl an der Konusabdichtung der offenen Kolbenaufnahme ansteht und keine Luftblasen mehr austreten. Das Niederdruck-Absperrventil (LP) muss dabei geschlossen sein, das Hochdruck-Absperrventil (HP) offen und in der Prüflingaufnahme der Verschlussstopfen eingeschraubt sein.
- Das Kolben-Zylinder-System wird vertikal in das Gewinde der Kolbenaufnahme eingesetzt und mit einem Gabelschlüssel mit SW 46 auf 45 Nm angezogen.
- Es sind keine zusätzlichen Dichtelemente erforderlich. Die Abdichtung erfolgt rein metallisch über den Dichtkonus.
- Zum exakten Ausrichten des Gerätes kann die Libelle aus der Basisplatte herausgenommen werden und auf die Oberseite des eingeschraubten Kolben-Zylinder-Systems aufgelegt werden. Hierdurch ist die genaueste Referenzierung zum Kolben-Zylinder-System gegeben.



### 3.1.3 Anschluss des Prüflings



**Vor Lösen des Verschlussstopfens in der Prüflingaufnahme, den drucklosen Zustand des Systems (Spindelpumpe im Gegen-Uhrzeigersinn komplett zurückgedreht, Hochdruck-Absperrventil öffnen, Niederdruck-Absperrventil öffnen) sicherstellen.**

**Hinweis: Der Verschlussstopfen dient nur zum Verschließen der Prüflingaufnahme gegen auslaufendes Öl oder eindringende Verschmutzung. Er darf auf keinen Fall mit Druck beaufschlagt werden.**

- Der Prüflinganschluss besitzt eine Rändelmutter mit G 3/4 Innengewinde, in das verschiedene Gewindeanschlussadapter eingeschraubt werden können. Standardmäßig sind im Lieferumfang 3 Gewindeadapter mit folgenden Anschlussgewinden enthalten:
  - M16 x 1,5 außen
  - M20 x 1,5 außen
  - 9/16-18UNF außen

#### Maximales Anzugsdrehmoment für Prüfling und Prüflingssäule:

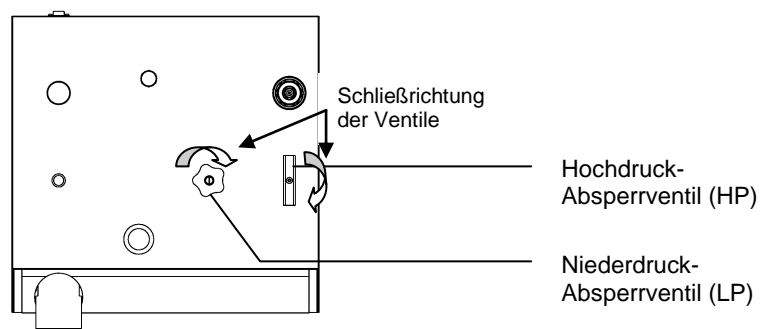
< 4.000 bar → 30 Nm

> 4.000 bar → 45 Nm

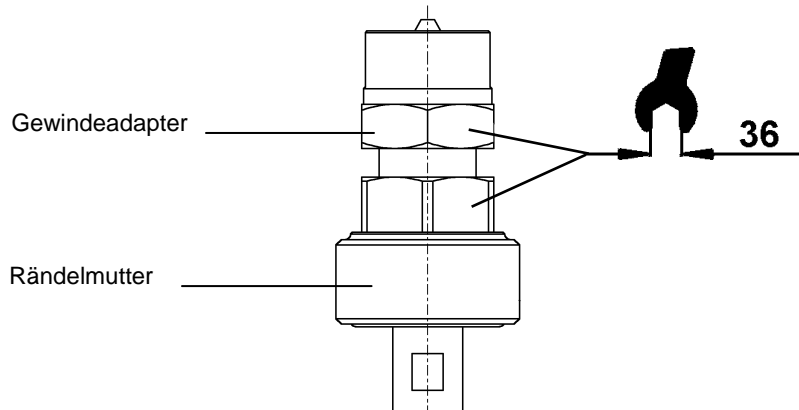


Als Zubehör ist ein Anschlussadapter auf G 1/2 Innengewinde mit O-Ring-Abdichtung erhältlich. Der maximal zulässige Druck ist beim Einsatz dieses Adapters auf 1.600 bar begrenzt.

- Montieren Sie zunächst den passenden Gewindeadapter an ihren Prüfling.
- Vor dem Aufspannen des Prüflings sollte das Leitungssystem entlüftet werden. Hierzu wird durch sehr vorsichtiges Betätigen der Vordruckpumpe Öl vom Tank in das System gepumpt. Es wird solange gepumpt bis Öl an der Konusabdichtung der offenen Prüflingaufnahme ansteht und keine Luftblasen mehr austreten. Das Niederdruck-Absperrventil (LP) muss dabei geschlossen sein, das Hochdruck-Absperrventil (HP) offen und in der Kolbenaufnahme das Kolben-Zylinder-System eingeschraubt sein.



- Verbinden Sie anschließend den Prüfling inkl. montiertem Gewindeadapter mit der Rändelmutter des Prüflinganschlusses am Kolbenmanometer. Durch die freilaufende Rändelmutter ist ein Orientieren des Prüflings möglich. In der gewünschten Aufspannposition ziehen sie die Rändelmutter und den Gewindeadapter mit einem Gabelschlüssel fest an. Die Schlüsselweite an der Rändelmutter und am Gewindeadapter ist SW 36.



- Es sind keine zusätzlichen Dichtelemente erforderlich. Die Abdichtung erfolgt rein metallisch über den Dichtkonus.

### 3.1.4 Entlüftung des Systems

Nach dem Aufspannen von Kolben-Zylinder-System und Prüfling können sich weitere Lufteinschlüsse im System befinden. Das System muss vor dem Beginn der Kalibrierung durch folgende Vorgehensweise entlüftet werden:

- Kolben-Zylinder-System und Prüfling müssen aufgespannt sein und der komplette Massensatz auf das Kolben-Zylinder-System aufgelegt sein
- Niederdruck-Absperrventil schließen
- Hochdruckabsperrventil öffnen
- Über die Vordruckpumpe einen Druck von ca. 50 bar erzeugen
- Hochdruckabsperrventil schließen
- Mit der Spindelpumpe den Druck bis knapp unter den Messbereichsendwert des Kolben-Zylinder-Systems bzw. des Prüflings (kleinerer Druckbereich ist entscheidend) erhöhen.



**Wichtig: Das Kolben-Zylinder-System muss hierbei in seiner unteren Position bleiben, also noch nicht in den Schwebezustand gehen.**

- Hochdruck-Absperrventil vorsichtig öffnen, vorhandene Lufteinschlüsse entweichen in den Tank
- Niederdruck-Absperrventil öffnen

Dieser Vorgang ist mehrmals zu wiederholen, um sämtliche Lufteinschlüsse zu entfernen.

Das Öffnen des Hochdruck-Absperrventils ohne vorheriges Herausdrehen der Spindelpumpe im Gegen-Uhrzeigersinn, um das System auf Vordruck zu entlasten, ist nur beim hier beschriebenen Entlüftungsvorgang zulässig, da der Kolben sich in der unteren Position befindet.



**Nach der Vordruckerzeugung muss das Hochdruck-Absperrventil immer geschlossen werden, bevor mit der Spindelpumpe der Druck erhöht wird. Ein integriertes Sicherheitsüberströmventil (eingestellt auf ca. 100 bar) schützt den Niederdruckkreislauf zusätzlich gegen Bedienerfehler ab.**



Nach der Vordruckerzeugung muss überprüft werden, ob die Benutzerhandgriffe fest angezogen sind (z.B. schwarze Kunststoffgriffe der Vordruckpumpe).



Nach der Vordruckerzeugung muss überprüft werden, ob die Verbindung zum Prüfling fest angezogen ist. Siehe maximales Anzugsdrehmoment für Prüfling und Prüflingssäule.

Das Gerät ist nun einsatzbereit

### 3.2 Betrieb

#### 3.2.1 Masseauflagen

- Je nach angestrebtem Druckwert, die entsprechenden Masseauflagen auf die Glocke stapeln.
- Typischerweise beginnend mit dem größten Gewicht, um einen möglichst tiefen Schwerpunkt zu erhalten.
- Jede Komponente ist mit einer fortlaufenden Nummer gekennzeichnet. Im Kalibrierschein ist zu jeder Nummer der resultierende Druck unter Referenzbedingungen aufgeführt.

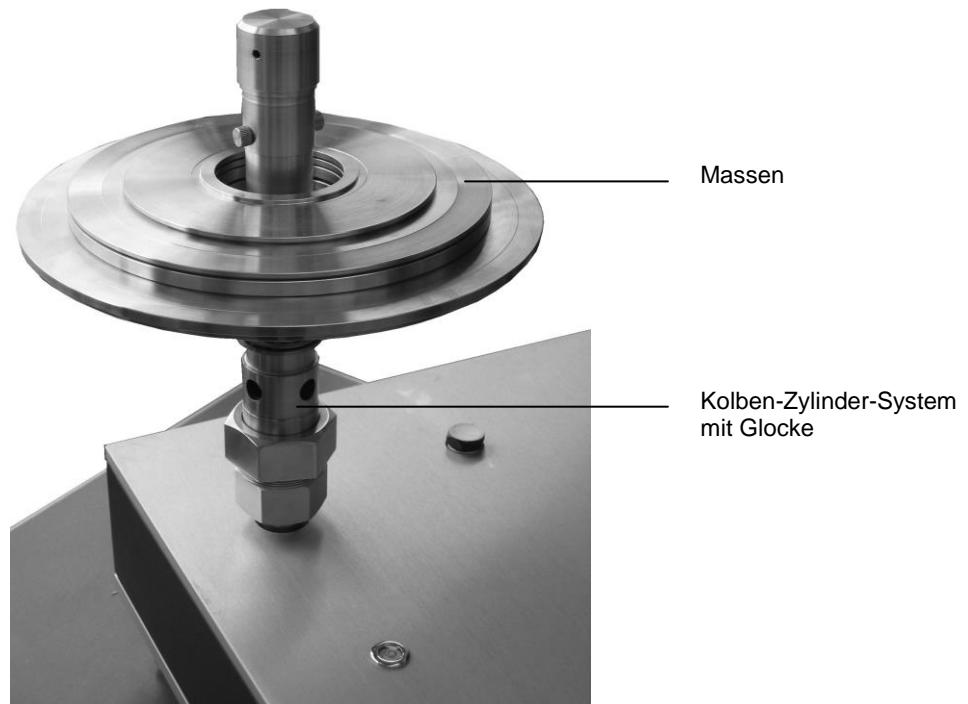
Beispiel-Tabelle aus einem Kalibrierschein Seite 2:

**Druckwerte der Gewichtsstücke / Pressure values of masses**

Bezeichnung des Gewichtsstückes <i>type of weight piece</i>	Nr. <i>no.</i>	wahre Masse <i>true mass</i> in kg	Druckwert für HD-System <i>pressure value</i> for HP-system in bar
Kolben / <i>piston</i>	1207	0,51001	24,9972
Masse / <i>weight piece</i>	1	0,10231	5,0143
Masse / <i>weight piece</i>	2	4,09305	200,6150
Masse / <i>weight piece</i>	3	4,09305	200,6150
Masse / <i>weight piece</i>	4	4,09305	200,6150
Masse / <i>weight piece</i>	5	4,09305	200,6150
Masse / <i>weight piece</i>	6	4,09305	200,6150
Masse / <i>weight piece</i>	7	4,09305	200,6150
Masse / <i>weight piece</i>	8	4,09305	200,6150
Masse / <i>weight piece</i>	9	4,09305	200,6150
Masse / <i>weight piece</i>	10	2,04650	100,3065
Masse / <i>weight piece</i>	11	2,04650	100,3065
Masse / <i>weight piece</i>	12	2,04650	100,3065
Masse / <i>weight piece</i>	13	2,04650	100,3065
Masse / <i>weight piece</i>	14	2,04650	100,3065
Masse / <i>weight piece</i>	15	2,04650	100,3065
Masse / <i>weight piece</i>	16	2,04650	100,3065
Masse / <i>weight piece</i>	17	2,04650	100,3065
Masse / <i>weight piece</i>	18	2,04650	100,3065
Masse / <i>weight piece</i>	19	1,02526	50,2517
Masse / <i>weight piece</i>	20	0,51163	25,0768
Masse / <i>weight piece</i>	21	0,51163	25,0768
Masse / <i>weight piece</i>	22	0,20465	10,0307
Masse / <i>weight piece</i>	23	0,10232	5,0153
Masse / <i>weight piece</i>	24	0,05116	2,5077

Beispiel: Massenscheibe Nr. 5 erzeugt mit ihrem Gewicht von 4,09305 kg einen Druck von 200,6150 bar unter Referenzbedingungen (Umgebungstemperatur 20 °C, Luftdruck 1.013 mbar, relative Luftfeuchte 40 %)

- Der sich einstellende Druck entspricht dann der Summe aus der Grundlast (Kolben und Glocke) sowie Masseringe.



### 3.2.2 Druckwert anfahren (steigender Druck)



Es empfiehlt sich, die Spindelpumpe zu Beginn der Messwertaufnahme komplett herauszudrehen (im Gegen-Uhrzeigersinn) um genügend Volumen für die Messungen bereit zu stellen. Während dieses Vorgangs ist das Niederdruck- und das Hochdruck-Absperrventil zu öffnen.

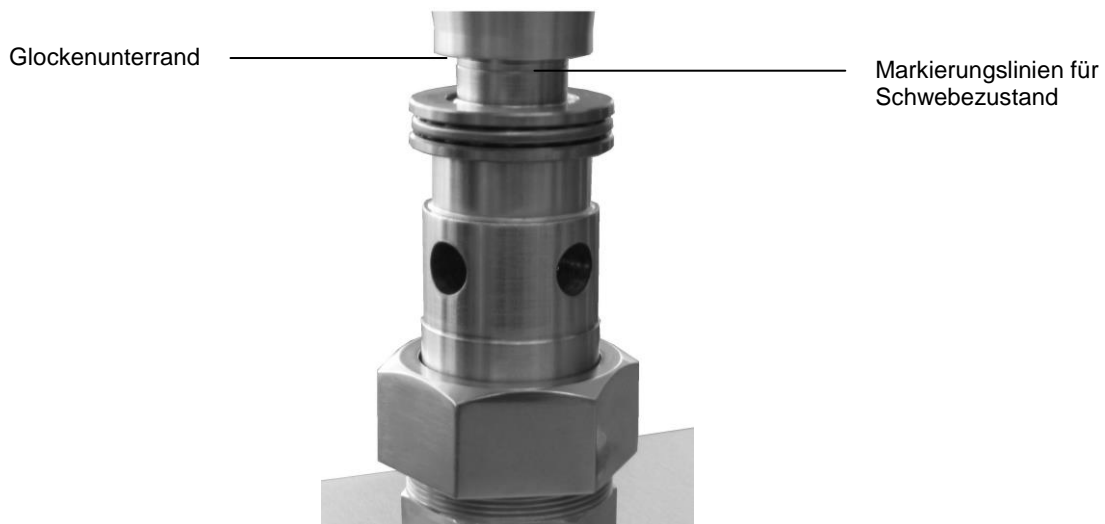
- Das System muss mit Öl gefüllt sein und anschließend vorkomprimiert werden.
- Hierzu müssen sich die Ventile in Grundstellung befinden:
  - Niederdruck-Absperrventil zu
  - Hochdruck-Absperrventil auf
- Danach mehrere Hübe mit der Vordruckpumpe ausführen – der Druck steigt auf max. ca. 50 bar (abhängig vom angeschlossenen Prüflingvolumen).
- Hochdruck-Absperrventil muss nach der Vordruckerzeugung geschlossen werden.
- Anschließend über die eingebaute Spindelpumpe im Uhrzeigersinn den Druck erhöhen.



**Nach der Vordruckerzeugung muss das Hochdruck-Absperrventil immer geschlossen werden, bevor mit der Spindelpumpe der Druck erhöht wird. Ein integriertes Sicherheitsüberströmventil (eingestellt auf ca. 100 bar) schützt den Niederdruckkreislauf zusätzlich gegen Bedienerfehler ab.**

### 3.2.3 Druck stabil

- So lange Druck einlassen, bis sich das System im Gleichgewichtszustand befindet.
- Der Kolben befindet sich im Schwebезustand. Der Glockenunterrand muss in diesem Fall an der Markierungslinie des Kolben-Zylinder-Systems anliegen.



**Kurz vor dem Schwebезustand steigt das System rasch an. Es empfiehlt sich daher, die Spindel nur langsam und gleichmäßig im Uhrzeigersinn zu drehen.**

- Zur Minimierung von Reibungskräften wird das System an den Masseauflagen vorsichtig angestoßen und in eine Drehbewegung versetzt.



**Das System darf niemals in Rotation versetzt werden, wenn sich der Kolben am oberen Anschlag befindet.**

**Befindet sich der Kolben am unteren Anschlag ist die folgende Vorgehensweise zu beachten:**

1. **Bauen Sie einen Vordruck von ca. 95 % des angestrebten Prüfdrucks auf**
2. **Versetzen Sie die Massen in Rotation und erhöhen Sie gleichzeitig den Druck bis sich das Kolbenzylindersystem im Schwebезustand befindet**

- Der Kolben und damit auch der Prüfdruck steht nun mehrere Minuten stabil.

### 3.2.4 Nächste Druckstufe

- Zur Einstellung des nächst höheren Druckes, wiederholen sie die vorherigen Punkte 3.2.1 bis 3.2.3



### 3.2.5 Druckwert anfahren (fallender Druck)

- Die Spindelpumpe im Gegen-Uhrzeigersinn drehen, um das System zu entlasten.
- Befindet sich der Druck in der Nähe der nächsten Prüfstufe, kann die Feineinstellung über das Spindelrad vorgenommen werden.



**Vorsicht:**  
Der Kolben sinkt kurz vor dem Gleichgewichtszustand recht schnell ab.



**Vorsicht:**  
Die Massenscheiben dürfen unter Druck nicht vollständig vom Kolben-Zylinder-System entfernt werden.



**Vorsicht:**  
Die Massenscheiben einzeln abnehmen und im selben Maße den Druck schrittweise zurück regeln.

- Ist die Spindelpumpe komplett im Gegen-Uhrzeigersinn zurückgedreht, befindet sich nur noch der Vordruck im System.
- Jetzt kann das Hochdruck-Absperrventil geöffnet werden



**Öffnen Sie das Hochdruck-Absperrventil immer erst dann, wenn der Druck im System auf Vordruck entlastet ist. Hierzu ist immer zuerst die Spindelpumpe im Gegen-Uhrzeigersinn komplett zurückzudrehen.**

- Der Vordruck kann über vorsichtiges Öffnen des Niederdruck-Absperrventils weiter entlastet werden.
- Durch vollständiges Öffnen des Niederdruckabsperrventils entweicht der Vordruck komplett zurück in den Tank.
- Das System ist nun komplett entlastet



**Auch wenn sie das System von einem hohen Druck sofort vollständig auf Null entlasten wollen, muss zuerst die Spindelpumpe im Gegen-Uhrzeigersinn komplett zurückgedreht werden. Danach öffnen sie das Hochdruck-Absperrventil und anschließend öffnen sie das Niederdruck-Absperrventil. Der Vordruck entweicht dann vollständig in den Tank. Das System ist nun komplett entlastet.**

### 3.3 Abbau

- Nach Aufnahme aller Druckpunkte, drucklosen Zustand des Systems sicherstellen (siehe hierzu Pkt. 3.2.5)
- Jetzt kann der Prüfling vom Prüflinganschluss abgeschraubt werden.



**Demontieren sie den Prüfling oder das Kolben-Zylinder-System erst, wenn der Druck im Kolbenmanometer vollständig abgebaut ist.**

- Die Griffstangen des Drehkreuzes können wieder von der Spindelpumpe abgeschraubt werden.

### 3.4 Transport



**Um Beschädigungen am Gerät während des Transportes (z.B. bei Rücksendung zur Re-Kalibrierung) zu vermeiden, muss die Transportsicherung wieder am Kolben-Zylinder-System angebracht werden (siehe Abb. 1 - 5).**

**Der Transport des Gerätes sollte ausschließlich auf einer Palette erfolgen!**

- Die Transportsicherung besteht aus 2 Plastikstopfen und einem Metallbügel (siehe Abb. 1)
- Beide Bolzen in die dafür vorgesehenen Löcher gegenüberliegend einstecken (siehe Abb. 2)
- Dabei auf die richtige Orientierung der beiden Bolzen achten! (siehe Abb. 3)
- Anschließend vorsichtig die Metallsicherung über die beiden Bolzen um das System stecken (siehe Abb. 4). Das Kolben-Zylinder-System ist so während des Transportes gesichert. (siehe Abb. 5)



Abb. 1



Abb. 2



Abb. 3



Abb. 4

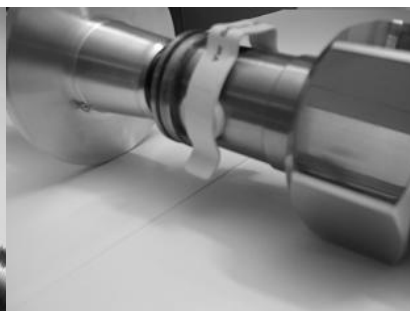


Abb. 5

#### 4. Maßnahmen bei Störungen



Können Störungen mit der Hilfe der Betriebsanleitung nicht beseitigt werden, ist das Gerät unverzüglich außer Betrieb zu setzen und der Hersteller ist zu kontaktieren.

Reparaturen dürfen nur vom Hersteller durchgeführt werden. Eingriffe und Änderungen am Gerät durch den Betreiber sind unzulässig.

Tabelle: Fehlerbeschreibung und Maßnahmen

Fehlerart	Maßnahmen
I. Kein Druckaufbau möglich bei Vordruck-erzeugung	<ul style="list-style-type: none"> <li>■ Niederdruck-Absperrventil richtig verschließen</li> <li>■ <b>Achtung:</b> Das Absperrventil darf nur fingerfest angezogen werden, sonst kann der Ventilsitz beschädigt werden.</li> </ul>
II. Kein weiterer Druckaufbau möglich bei Hochdruckerzeugung mit der Spindelpumpe	<ul style="list-style-type: none"> <li>■ Hochdruck-Absperrventil richtig verschließen</li> <li>■ <b>Achtung:</b> Bei geöffnetem oder nicht richtig geschlossenen Hochdruck-Absperrventil wird ab ca. 100 bar das Sicherheitsüberströmventil aktiviert und das Öl strömt in den Tank zurück. Es kann daher kein Druck &gt; 100 bar aufgebaut werden.</li> </ul>
III. Kein Druckaufbau möglich / Ölaustritt an Kolben-Zylinder-System-Aufnahme oder Prüflinganschluss	<ul style="list-style-type: none"> <li>■ Kolben-Zylinder-System in der Kolbenaufnahme festziehen (siehe Pkt. 3.1.2)</li> <li>■ Prüfling mit Anschlussadapter und Rändelmutter festziehen (siehe Pkt. 3.1.3)</li> <li>■ Bei Verschleiß oder Beschädigung am Dichtkonus ist wie unter Pkt. 5.2 beschrieben vorzugehen.</li> </ul>
IV. Kein Druckaufbau möglich bzw. Messbereichsendwert nicht erreichbar	<ul style="list-style-type: none"> <li>■ Nach dem Aufspannen von Kolben-Zylinder-System und Prüfling können sich Lufteinschlüsse im System befinden.</li> <li>■ <b>Achtung:</b> Das System sollte vor dem Beginn der Kalibrierung entlüftet werden. Hierbei ist wie unter Pkt. 3.1.4 beschrieben vorzugehen.</li> <li>■ Danach Druck neu aufbauen</li> </ul>

<p>V. Langsames Absinken des Kolbens im Schwebezustand</p>	<ul style="list-style-type: none"><li>■ Leckage im System, siehe Punkt III.</li><li>■ Nach dem Aufspannen von Kolben-Zylinder-System und Prüfling können sich Lufteinschlüsse im System befinden, siehe Punkt IV.</li><li>■ Danach Druck neu aufbauen</li></ul>
<p>VI. Kolben dreht nicht oder reagiert unempfindlich</p>	<ul style="list-style-type: none"><li>■ <b>Achtung:</b> Dreht sich der Kolben nicht leichtgängig oder „quietscht“, keinesfalls unter Gewalteinwirkung drehen. Ansonsten entstehen bleibende Schäden, die die Messeigenschaften stark beeinflussen.</li><li>■ Kolben-Zylinder-System muss von autorisiertem Fachpersonal instandgesetzt werden (siehe Pkt. 5.1.1)</li></ul>

Weitere Hilfe erhalten Sie durch die WIKA-Abteilung der Kalibriertechnik.

## 5. Pflege und Wartung

### 5.1 Reinigung

#### 5.1.1 Kolben-Zylinder-System

Das Kolben-Zylinder-System des Höchstdruck Kolbenmanometers besitzt einen speziellen Aufbau, um, trotz der hohen Kräfte, stabile Laufeigenschaften zu gewährleisten.

Dieses System ist selbst reinigend und wird bei jeder Rekalibrierung überprüft. Sollten sich trotzdem, z.B. durch eine Verschmutzung im Öl, die Laufeigenschaften verschlechtern (Anzeichen hierfür sind schlechte Sensitivität oder kurze freie Drehdauer), wenden Sie sich bitte an WIKA.



**Das kombinierte Kolben-Zylinder-System mit Glocke darf nur von autorisiertem Fachpersonal zerlegt, gereinigt oder instandgesetzt werden.**

#### 5.1.2 Massensatz

- Die Massen sollten nur mit Handschuhen angefasst werden.
- Sind trotzdem Fingerabdrücke oder andere Verschmutzungen an den Masseauflagen, können diese mit reinem Alkohol (Spiritus) entfernt werden.

### 5.2 Verschleißteile

Die Abdichtung in der Kolbenaufnahme und im Prüflinganschluss erfolgt rein metallisch über Dichtkonus. Die einzelnen Komponenten sind aus verschleißfesten Materialien gefertigt. Sollten die Dichtflächen am Innen- bzw. Außenkonus Verschleißerscheinungen oder Beschädigungen aufweisen, sind die Komponenten auszutauschen. Bitte wenden sie sich in diesem Fall an den Hersteller.

## 5.3 Austausch des Hydrauliköls

Das Hydrauliköl sollte bei sichtbarer Verunreinigung ausgetauscht werden.

### 5.3.1 Hydrauliköl entfernen

- Verschlusschraube mit Öleinfüllsymbol auf Basement-Oberseite öffnen
- Öl aus Tank z.B. mit einer geeigneten Spritze absaugen
- Kleine Restölmengen können zusätzlich bei abgeschraubtem Kolben-Zylinder-System und Prüfling aus den Öffnungen der Kolben- und Prüflingaufnahme abgesaugt werden. Hierzu ist die Spindelpumpe bei geöffnetem Niederdruck- und Hochdruck-Absperrventil langsam im Uhrzeigersinn einzudrehen.
- Geringe Restölmengen können im Rohrleitungssystem zurückbleiben



Bei starker Verschmutzung des Hydrauliköls ist ggf. eine Komplettreinigung der Verrohrung und aller medienberührten Einzelkomponenten des Basements im demontierten Zustand zu empfehlen. Dieser Eingriff darf nur vom Hersteller durchgeführt werden.



**Die Altöleentsorgung muss gemäß den gesetzlichen Bestimmungen erfolgen.**

### 5.3.2 Hydrauliköl einfüllen

- Hochdruck-Absperrventil öffnen
- Niederdruck-Absperrventil öffnen
- Spindelpumpe im Uhrzeigersinn bis zum vorderen Anschlag eindrehen
- Verschlusschraube mit Öleinfüllsymbol auf Basementoberseite öffnen
- Spezialöl (1 Liter im Lieferumfang enthalten bzw. als Zubehör erhältlich) über die Tanköffnung einfüllen bis der Füllstand das Gewinde der Tanköffnung erreicht (ca. 250 ml). Die Füllhöhe ist hierbei stets zu beobachten.
- Spindelpumpe gegen den Uhrzeigersinn bis zum hinteren Anschlag herausdrehen. Das Füllmedium wird vom Tank in das System gesaugt.
- Tanköffnung mit Verschlusschraube schließen

### 5.3.3 Entlüftung des Systems (nur nach Komplettbefüllung)

Nach der Erstbefüllung oder nach einem kompletten Austausch des Öls können sich Luftpneinschlüsse im System befinden. Das System sollte durch folgende Vorgehensweise entlüftet werden:

- Hochdruck-Absperrventil öffnen
- Niederdruck-Absperrventil öffnen
- Anschluss Kolben-Zylinder-System und Prüflinganschluss müssen offen sein
- Spindelpumpe gegen den Uhrzeigersinn bis zum hinteren Anschlag herausdrehen
- Mit Vordruckpumpe vorsichtig pumpen und dabei das Füllmedium in den offenen Anschlüssen Kolbenaufnahme und Prüfling beobachten. Hier tritt die eingeschlossene Luft durch Blasenbildung nach außen. Die Vordruckpumpe ist so lange zu betätigen bis keine Luftblasen mehr auftauchen.
- Austretendes Öl in den offenen Anschlüssen Kolbenaufnahme und Prüfling mit z. B. einer Spritze absaugen.

#### 5.4 Rekalibrierung

Die empfohlene Rekalibrierungsdauer beträgt: 5 Jahre

Hierbei handelt es sich um eine Empfehlung des Deutschen Kalibrierdienstes (DKD/DAkkS). Voraussetzung für dieses Intervall ist ein sorgsamer Umgang mit System und Massen. Sollten diese, bedingt durch rauhen Einsatz, Verschmutzungen oder Beschädigungen aufweisen, empfiehlt sich eine Verkürzung des Intervalls auf ca. drei Jahre.

Das Kolbenmanometer sollte sofort überholt und neu kalibriert werden, wenn:

- Die Laufeigenschaften des Kolbens sich verschlechtern (Drehdauer, Sinkrate, Sensitivität)
- Die Gewichte beschädigt sind oder korrodieren



**Um Beschädigungen am Gerät während des Transportes zu vermeiden, muss die Transportsicherung wieder am Kolben-Zylinder-System angebracht werden. (siehe hierzu Pkt. 3.4)**

Zur Rekalibrierung oder bei Fragen hinsichtlich des optimalen Rekalibrierungszyklus steht das DKD-Labor gerne zur Verfügung:

WIKA Alexander Wiegand SE & Co KG  
DKD-Kalibrierlaboratorium  
Alexander Wiegand Straße  
63911 Klingenberg

Tel: 09372 / 132 – 473  
Fax: 09372 / 132 - 8767  
E-Mail: calibration@wika.de

**6. Technische Daten**

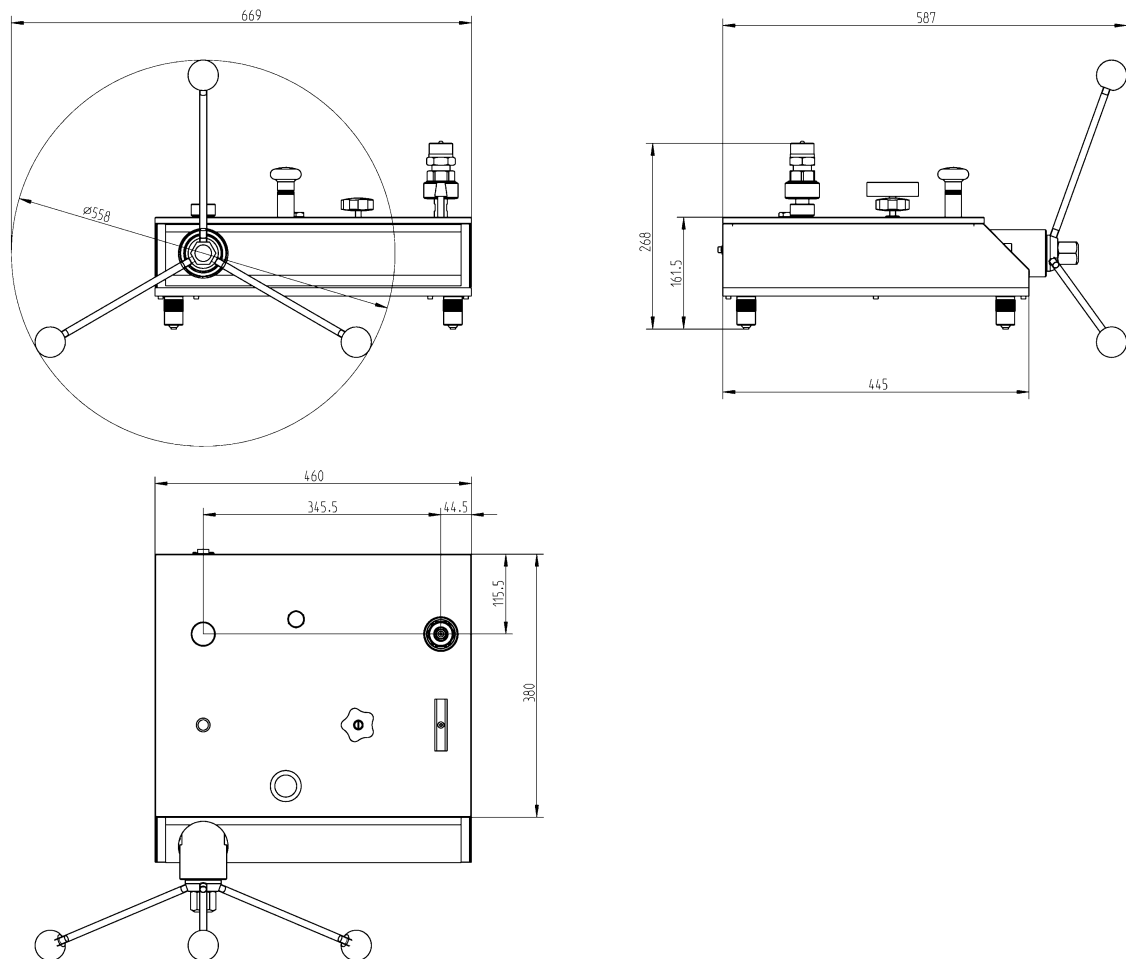
Messbereich	bar <sup>1)</sup>	25 ... 2.500	25...4.000	25 ... 5.000
Erforderliche Massen	kg	50	80	100
Kleinster Step	bar <sup>2)</sup>	2,5	2,5	2,5
Nominale Kolbenquerschnittsfläche	cm <sup>2</sup>	0,02	0,02	0,02
Messbereich	psi <sup>1)</sup>	350 ... 40.000	350 ... 60.000	350 ... 70.000
Erforderliche Massen	kg	55	83	97
Kleinster Step	psi <sup>2)</sup>	50	50	50
Nominale Kolbenquerschnittsfläche	cm <sup>2</sup>	0,02	0,02	0,02
Genauigkeit <sup>3)</sup>		0,025 % vom Messwert, optional 0,02 % <sup>4)</sup>		
Druckübertragungsmedium		bis 4.000 bar/60.000 psi: Hydraulikflüssigkeit auf Mineralölbasis (1 Liter im Lieferumfang enthalten) 5.000 bar/70.000 psi: Sebacate-Öl (0,5 Liter im Lieferumfang enthalten)		
Ölvorratsbehälter	cm <sup>3</sup>	250		
Prüflinganschluss		frei positionierbar, standardmäßig mit 3 Gewindeadaptern M16 x 1,5 / M20 x 1,5 und 9/16-18UNF, andere Gewindeadapter siehe Zubehör		
Werkstoff				
■ Kolben		gehärteter Stahl		
■ Zylinder		Wolfram Carbid		
■ Massensatz		CrNi-Stahl 1.4305 und Aluminium, nicht-magnetisch		
■ Verrohrung im Basement		CrNi-Stahl 1.4404, 6 x 2 mm		
Betriebstemperatur	°C	18 ... 28		
Gewicht				
■ Hochdruck-Basement	kg	32,5		
■ Kolben-Zylinder-System	kg	2,7 / 5,0 (inkl. Tragekoffer)		
■ BAR Basismassensatz Teil 1	kg	34,0 (inkl. Tragekoffer)		
■ BAR Basismassensatz Teil 2	kg	27,5 (inkl. Tragekoffer)		
■ BAR Erweiterungsmassensatz, Teil 1 (für 4000 bar und 5000 bar)	kg	33,5 (inkl. Tragekoffer)		
■ BAR Erweiterungsmassensatz Teil 2 (nur für 5000 bar)	kg	23,5 (inkl. Tragekoffer)		
Gewicht				
■ PSI Basismassensatz, Teil 1	kg	51,0 (inkl. Tragekoffer)		
■ PSI Basismassensatz, Teil 2	kg	15,0 (inkl. Tragekoffer)		
■ PSI Erweiterungsmassensatz, Teil 1 (für 60000 psi und 70000 psi)	kg	31,8 (inkl. Tragekoffer)		
■ PSI Erweiterungsmassensatz, Teil 2 (nur für 70000 psi)	kg	17,8 (inkl. Tragekoffer)		
Abmessungen				
■ Basement	mm	460 (B) x 445 (T) x 265 (H), Details siehe technische Zeichnung		
■ Tragekoffer für Basismassensatz, Teil 1	mm	400 (B) x 310 (T) x 310 (H)		
■ Tragekoffer für Basismassensatz, Teil 2	mm	215 (B) x 310 (T) x 310 (H)		
■ Tragekoffer für Erweiterungsmassensatz	mm	215 (B) x 310 (T) x 310 (H)		
■ Tragekoffer für Kolben-Zylinder-System	mm	370 (B) x 150 (T) x 150 (H)		
CE-Konformität				
■ Druckgeräterichtlinie		97/23/EC, Module A (gültig bis 2016-07-18) 2014/68/EU, Module A (gültig ab 2016-07-19)		
Kalibrierung		Werkskalibrierschein / optional: DKD/DakKS-Kalibrierschein		

1) Theoretischer Startwert; entspricht dem durch den Kolben (aufgrund seines Eigengewichtes) erzeugten Druckwert. Zur Optimierung der Laufeigenschaften sollten weitere Massen aufgelegt werden.



- 2) Der kleinste Druckänderungswert, der aufgrund des Standardmassensatzes erreicht wird. Zur Reduzierung ist optional ein Feinmassensatz erhältlich.
- 3) Die Genauigkeit wird ab 10 % des Messbereiches auf den Messwert bezogen. Im unteren Bereich gilt ein Festfehler, bezogen auf 10% des Bereiches
- 4) Messunsicherheit bei Referenzbedingungen (Umgebungstemperatur 20 °C, Luftdruck 1.013 mbar, relative Luftfeuchte 40 %). Bei Einsatz ohne CalibratorUnit müssen ggf. Korrekturen angebracht werden.

## Abmessungen



## Standard-Lieferumfang

- Basement mit Staubschutzhaube
- Vordruckpumpe
- Spindelpumpe zum Druckaufbau/Feineinstellung
- Kolbenaufnahme
- Anschluss für Prüfling mit 3 Gewintheadptern M16 x 1,5 / M20 x 1,5 und 9/16-18 UNF
- Kolben-Zylinder-System mit Glocke
- Basismassensatz aufgeteilt in 2 Tragekoffer
- Erweiterungsmassensatz in 1 Tragekoffer (für 4.000 bar oder 60.000 psi bzw. in 2 Tragekoffern für 5.000 bar oder 70.000 psi)
- Massensatz gefertigt auf Norm-Fallbeschleunigung von 9,80665 m/s<sup>2</sup>
- Spezialöl 1,0 Liter (bis 4.000 bar/60.000 psi)
- Spezialöl 0,5 Liter (für 5.000 bar/70.000psi)
- Gabelschlüssel SW 36 und SW 46
- Betriebsanleitung in deutscher und englischer Sprache
- Werkskalibrierschein

## Optionen

- Systeme mit erhöhter Genauigkeit bis 0,02 %
- Massensatz gefertigt auf lokale Fallbeschleunigung
- DKD/DAkKS-Kalibrierschein

## 7. Gewichtstabellen

Die folgenden Tabellen zeigen für den jeweiligen Messbereich die Anzahl der Massestücke innerhalb eines Massensatzes mit ihren nominalen Massewerten und den daraus resultierenden Nenndrücken.

Sollten Sie das Gerät nicht unter Referenzbedingungen einsetzen (Umgebungstemperatur 20 °C, Luftdruck 1.013 mbar, relative Luftfeuchte 40 %), sind die Korrekturen gemäß Punkt 2.3 zu berücksichtigen.

	25...2500 bar		25...4000 bar		25...5000 bar	
	Anzahl	Nenndruck je Stück	Anzahl	Nenndruck je Stück	Anzahl	Nenndruck je Stück
		bar		bar		bar
Kolben inkl. Glocke	1	25	1	25	1	25
Massestücke zu 5 kg	-	-	6	250	10	250
Massestücke zu 4 kg	8	200	8	200	8	200
Massestücke zu 2 kg	9	100	9	100	9	100
Massestücke zu 1 kg	1	50	1	50	1	50
Massestücke zu 0,5 kg	2	25	2	25	2	25
Massestücke zu 0,2 kg	1	10	1	10	1	10
Massestücke zu 0,1 kg	1	5	1	5	1	5
Massestücke zu 0,05 kg	1	2,5	1	2,5	1	2,5

	350...40000 psi		350...60000 psi		350...70000 psi	
	Anzahl	Nenndruck je Stück	Anzahl	Nenndruck je Stück	Anzahl	Nenndruck je Stück
		psi		psi		psi
Kolben inkl. Glocke	1	350	1	350	1	350
Massestücke zu 7 kg	2	5000	6	5000	8	5000
Massestücke zu 3,5 kg	8	2500	8	2500	8	2500
Massestücke zu 1,4 kg	8	1000	8	1000	8	1000
Massestücke zu 1 kg	1	750	1	750	1	750
Massestücke zu 0,7 kg	2	500	2	500	2	500
Massestücke zu 0,35 kg	1	250	1	250	1	250
Massestücke zu 0,14 kg	1	100	1	100	1	100
Massestücke zu 0,07 kg	1	50	1	50	1	50

## 8. Zubehör

### CalibratorUnit Typ CPU6000

Die Typen der CPU6000-Serie sind kompakte Hilfsmittel für den Einsatz mit einem Kolbenmanometer. Insbesondere zur Erzielung von genaueren Messwerten mit Messunsicherheiten kleiner 0,025 % sind aufwendige mathematische Betrachtungen und Korrekturen erforderlich. Mit der CPU6000 in Kombination mit der CPB-CAL (iPad® App) und / oder WIKA-CAL (PC-Software) können alle kritischen Umgebungsparameter erfasst und automatisch korrigiert.



Die Serie CPU6000 umfasst drei Geräte:

#### Wetterstation, Typ CPU6000-W

Die CPU6000-W stellt die Messwerte wie atmosphärischer Luftdruck, relative Luftfeuchtigkeit und Umgebungstemperatur der Laborumgebung zur Verfügung.

#### CPU6000-Serie und iPad®-App CPB-CAL

#### Sensorbox Kolbenmanometer, Typ CPU6000-S

Die CPU6000-S misst die Kolbentemperatur und zeigt die Schwebeposition der Massen an.



#### Digitalmultimeter, Typ CPU6000-M

Das CPU6000-M erfüllt die Funktion eines Digitalmultimeters und Netzteils, wenn elektronische Druckmessumformer kalibriert werden sollen.

#### Typ CPU6000-W, CPU6000-S, CPB5800 und PC mit Software WIKA-CAL

#### iPad®-App CPB-CAL

Die iPad®-Applikation erlaubt das Berechnen der zu verwendenden Massenaufgaben für Kolbenmanometer oder des Referenzdrucks unter Berücksichtigung der gemessenen Parameter der CPU6000. Dabei kann in alle gängigen Druckeinheiten konvertiert werden. Als zusätzlicher Parameter kann die lokale Fallbeschleunigung für ortsunabhängige Messungen vorgegeben werden.

#### PC Software WIKA-CAL – Massenberechnung

Mit der Demoversion der Software WIKA-CAL und einem Kolbenmanometer der CPB-Serie können die aufzulegenden Massenscheiben und der zugehörige Referenzdruck bestimmt werden. Die Kolbenmanometerdaten können manuell in der Datenbank eingegeben oder über eine online verfügbare XML-Datei automatisch importiert werden. Alle Umgebungsparameter und die Kolbentemperatur können manuell in WIKA-CAL eingegeben werden oder können mit der CPU6000 Serie automatisch gemessen werden, um die höchste Genauigkeit zu erreichen. Die Demoversion der WIKA-CAL kann kostenlos von der WIKA Homepage heruntergeladen werden.

Piston manometer		Measuring points		
Device	Calibration number	Measuring point (bar)	Weights	Fine mass (g)
CPB3800		12.000000	1 ; 7	37.169
		24.000000	1 - 2 ; 10 - 12	280.072
		36.000000	1 - 2 ; 7 - 8 ; 11 - 12	278.401
		48.000000	1 - 3 ; 8 ; 10 - 12	276.762
		60.000000	1 - 3 ; 7 - 9 ; 11 - 12	275.151
		72.000000	1 - 4 ; 7 ; 11 - 12	273.575
		84.000000	1 - 5 ; 10 - 12	272.025
		96.000000	1 - 5 ; 7 - 8 ; 11 - 12	270.502
		108.000000	1 - 6 ; 8 ; 10 - 12	269.011
		120.000000	1 - 9 ; 11 - 12	267.548

#### PC-Software WIKA-CAL – Massenberechnung

Weitere technische Daten zur CalibratorUnit CPU6000 finden Sie im Datenblatt CT 35.02. Details zur Kalibriersoftware WIKA-CAL, siehe Datenblatt CT 95.10.

Further WIKA subsidiaries worldwide can be found online at [www.wika.com](http://www.wika.com).  
Weitere WIKA-Niederlassungen weltweit finden Sie online unter [www.wika.de](http://www.wika.de).



**WIKAI Alexander Wiegand SE & Co. KG**

Alexander-Wiegand-Straße 30

63911 Klingenberg • Germany

Tel. +49 9372 132-0

Fax +49 9372 132-406

[info@wika.de](mailto:info@wika.de)

[www.wika.de](http://www.wika.de)