

Hand-held pressure indicator, model CPH6300

EN

Hand-Held Druckmessgerät, Typ CPH6300

DE

CE



Hand-held pressure indicator, model CPH6300

EN	Operating instructions model CPH6300	Page	3 - 46
-----------	---	-------------	---------------

DE	Betriebsanleitung Typ CPH6300	Seite	47 - 91
-----------	--------------------------------------	--------------	----------------

Further languages can be found at www.wika.com.

© 08/2017 WIKA Alexander Wiegand SE & Co. KG
All rights reserved. / Alle Rechte vorbehalten.
WIKA® is a registered trademark in various countries.
WIKA® ist eine geschützte Marke in verschiedenen Ländern.

Prior to starting any work, read the operating instructions!
Keep for later use!

Vor Beginn aller Arbeiten Betriebsanleitung lesen!
Zum späteren Gebrauch aufbewahren!

Contents

1. General information	5
2. Short overview	6
2.1 Overview	6
2.2 Description	6
2.3 Scope of delivery	7
3. Safety	7
3.1 Explanation of symbols	7
3.2 Intended use	7
3.3 Improper use	8
3.4 Personnel qualification	8
3.5 Labelling, safety marks	9
4. Transport, packaging and storage	10
4.1 Transport	10
4.2 Packaging and storage	10
5. Commissioning, operation	11
5.1 Operation	11
5.1.1 Display	11
5.1.2 Controls	12
5.2 Commissioning	13
5.3 Configuration of the instrument	13
5.4 Special functions	20
5.4.1 Different pressure units	20
5.4.2 Different measuring modes	20
5.4.3 Sea level correction for absolute pressure sensors	21
5.4.4 Averaging	21
5.4.5 Rate of change of pressure (only for sensor connection 1)	22
5.5 Data logger	23
5.5.1 Manual records	24
5.5.2 Automatic recording with adjustable cycle	26
5.6 Universal output	29
5.6.1 USB interface	29
5.6.2 Analogue output	29
5.7 Adjustment of the instrument	30
5.8 Pressure connection at the pressure sensors.	30
5.9 Real-time clock	30
5.10 Alarm.	31

Contents

6. Faults	31
7. Maintenance, cleaning and recalibration	33
7.1 Maintenance	33
7.2 Cleaning	35
7.3 Recalibration.	35
8. Dismounting, return and disposal	36
8.1 Dismounting	36
8.2 Return	37
8.3 Disposal	37
9. Specifications	38
10. Accessories	45

EN

Declarations of conformity can be found online at www.wika.com.

1. General information

EN

1. General information

- The model CPH6300 hand-held pressure indicator described in the operating instructions has been designed and manufactured using state-of-the-art technology. All components are subject to stringent quality and environmental criteria during production. Our management systems are certified to ISO 9001 and ISO 14001.
- These operating instructions contain important information on handling the instrument. Working safely requires that all safety instructions and work instructions are observed.
- Observe the relevant local accident prevention regulations and general safety regulations for the instrument's range of use.
- The operating instructions are part of the product and must be kept in the immediate vicinity of the instrument and readily accessible to skilled personnel at any time. Pass the operating instructions on to the next operator or owner of the instrument.
- Skilled personnel must have carefully read and understood the operating instructions prior to beginning any work.
- The general terms and conditions contained in the sales documentation shall apply.
- Subject to technical modifications.
- Factory calibrations / DKD/DAkkS calibrations are carried out in accordance with international standards.
- Further information:
 - Internet address: www.wika.de / www.wika.com
 - Relevant data sheet: CT 12.01
 - Application consultant: Tel.: +49 9372 132-9986
Fax: +49 9372 132-8767
testequip@wika.de

Abbreviations, definitions

- “XXX” Menu XXX will be selected
[XXX] Press XXX button

2. Short overview

2. Short overview

2.1 Overview

EN



- ① Sensor connection cable
- ② Pressure connection channel 1
- ③ Pressure connection channel 2
- ④ Interface connector
- ⑤ Display
- ⑥ Controls
- ⑦ Reference pressure sensor model CPT6200

2.2 Description

The model CPH6300 hand-held pressure indicator is very-well suited for operation under the most-adverse conditions due to its robust and waterproof design. Due to the high accuracy of the sensor technology, the CPH6300 can be used for accurate pressure measurement and also for calibration.

14043054.02 08/2017 EN/DE

2. Short overview / 3. Safety

EN

2.3 Scope of delivery

- Hand-held pressure indicator model CPH6300 incl. 2 AAA batteries
- One sensor connection cable per channel
- 3.1 calibration certificate in accordance with DIN EN 10204 for sensors
- Choice of sensors

Cross-check scope of delivery with delivery note.

3. Safety

3.1 Explanation of symbols



WARNING!

... indicates a potentially dangerous situation that can result in serious injury or death, if not avoided.



CAUTION!

... indicates a potentially dangerous situation that can result in light injuries or damage to property or the environment, if not avoided.



Information

... points out useful tips, recommendations and information for efficient and trouble-free operation.

3.2 Intended use

This CPH6300 hand-held pressure indicator can be used as a calibration instrument and also for any application which requires high-accuracy pressure measurement.

This instrument is not permitted to be used in hazardous areas!

The instrument has been designed and built solely for the intended use described here, and may only be used accordingly.

The technical specifications contained in these operating instructions must be observed. Improper handling or operation of the instrument outside of its technical specifications requires the instrument to be taken out of service immediately and inspected by an authorised WIKA service engineer.

3. Safety

Handle electronic precision measuring instruments with the required care (protect from humidity, impacts, strong magnetic fields, static electricity and extreme temperatures, do not insert any objects into the instrument or its openings). Plugs and sockets must be protected from contamination.

EN

The manufacturer shall not be liable for claims of any type based on operation contrary to the intended use.

3.3 Improper use



WARNING!

Injuries through improper use

Improper use of the instrument can lead to hazardous situations and injuries.

- ▶ Refrain from unauthorised modifications to the instrument.
- ▶ Do not use the instrument within hazardous areas.
- ▶ Do not use the instrument with abrasive or viscous media.
- ▶ Observe the working conditions in accordance with chapter 9 "Specifications".
- ▶ Always operate the instrument within its overload limits.

Any use beyond or different to the intended use is considered as improper use.

3.4 Personnel qualification



WARNING!

Risk of injury should qualification be insufficient

Improper handling can result in considerable injury and damage to equipment.

- ▶ The activities described in these operating instructions may only be carried out by skilled personnel who have the qualifications described below.

Skilled personnel

Skilled personnel, authorised by the operator, are understood to be personnel who, based on their technical training, knowledge of measurement and control technology and on their experience and knowledge of country-specific regulations, current standards and directives, are capable of carrying out the work described and independently recognising potential hazards.

3. Safety

Special operating conditions require further appropriate knowledge, e.g. of aggressive media.

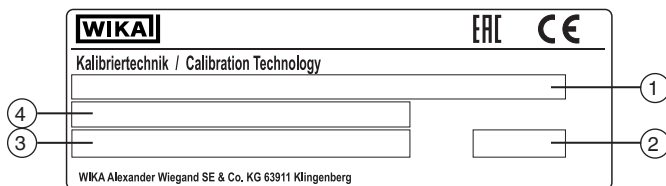
3.5 Labelling, safety marks

EN

Product label for model CPH6300-S1 or CPH6300-S2 (example)



Product label for model CPT6200 (example)



- ① Product name
- ② Date of manufacture (month-year)
- ③ Serial number and article number
- ④ Pressure measuring range and accuracy

Symbols



Before mounting and commissioning the instrument, ensure you read the operating instructions!

3. Safety / 4. Transport, packaging and storage



This marking on the instruments indicates that they must not be disposed of in domestic waste. The disposal is carried out by return to the manufacturer or by the corresponding municipal authorities.

EN

4. Transport, packaging and storage

4.1 Transport

Check the model CPH6300 hand-held pressure indicator and the model CPT6200 reference pressure sensor for any damage that may have been caused by transport. Obvious damage must be reported immediately.



CAUTION!

Damage through improper transport

With improper transport, a high level of damage to property can occur.

- ▶ When unloading packed goods upon delivery as well as during internal transport, proceed carefully and observe the symbols on the packaging.
- ▶ With internal transport, observe the instructions in chapter 4.2 "Packaging and storage".

If the instrument is transported from a cold into a warm environment, the formation of condensation may result in instrument malfunction. Before putting it back into operation, wait for the instrument temperature and the room temperature to equalise.

4.2 Packaging and storage

Do not remove packaging until just before mounting.

Keep the packaging as it will provide optimum protection during transport (e.g. change in installation site, sending for repair).

Permissible conditions at the place of storage:

- Storage temperature: -25 ... +70 °C (-13 ... +158 °F)
- Humidity: 0 ... 95 % relative humidity (non-condensing)

Avoid exposure to the following factors:

- Direct sunlight or proximity to hot objects
- Mechanical vibration, mechanical shock (putting it down hard)
- Soot, vapour, dust and corrosive gases
- Hazardous environments, flammable atmospheres

14043054.02 08/2017 EN/DE

4. Transport, packaging ... / 5. Commissioning, operation

Store the instrument in its original packaging in a location that fulfils the conditions listed above. If the original packaging is not available, pack and store the instrument as described below:

1. Wrap the instrument in an antistatic plastic film.
2. Place the instrument, along with the shock-absorbent material, in the packaging.
3. If stored for a prolonged period of time (more than 30 days), place a bag containing a desiccant inside the packaging.

EN

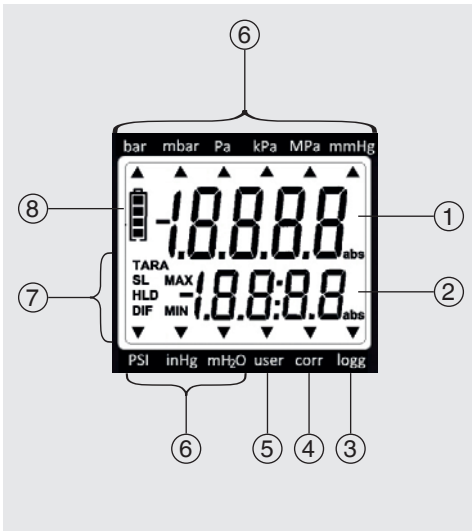
5. Commissioning, operation

Personnel: Skilled personnel

Only use original parts (see chapter 10 “Accessories”).

5.1 Operation

5.1.1 Display

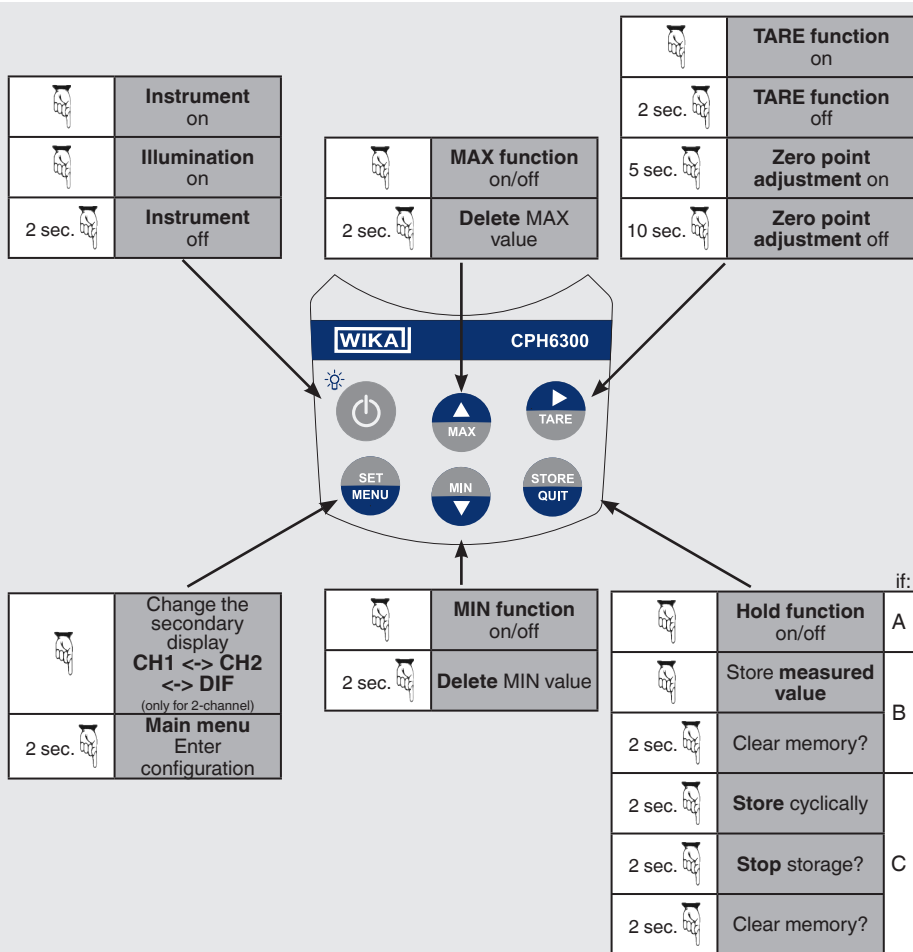


- ① **Main display:** Current measured value for sensor 1
- ② **Secondary display:** Current measured value for sensor 2 or differential value between sensor 1 and sensor 2
- ③ **logg arrow:** Logger is ready
Arrow blinking: Automatic recording (Logg CYCL) active
- ④ **corr arrow:** Zero point or slope correction has been made
- ⑤ **user arrow:** Measured value is specified in the freely configurable user unit
- ⑥ Display arrows for **measured value units**
- ⑦ Display elements for the display of the Min/Max values, as well as the Tare function and sea level correction
- ⑧ Battery status display

5. Commissioning, operation

5.1.2 Controls

EN



A = Logger functions deactivated

B = Logger function "Store measured value" activated via menu

C = Logger function "Store cyclically" activated via menu

	= Press button
2 sec.	= Press button for 2 seconds
For more information: see operating instructions	

5. Commissioning, operation

EN

5.2 Commissioning

1. Connect sensor and switch the instrument on with the **[ON/OFF]** button.
⇒ Following the segment test, the display displays short information about its configuration:

rAtE SL0 Standard measurement is set.

rAtE FASt Fast measurement is set.

rAtE P.dEt Peak value detection is set.

The instrument is then ready for measurement.

5.3 Configuration of the instrument



The availability of some of the menu items is dependant on the current instrument settings (e.g. a few menu items will be locked, if the logger contains data).

1. To configure, press the **[SET/MENU]** button for 2 seconds.
⇒ The menu (main display *SEt*) is called up.
2. With the **[SET/MENU]** button, select the required menu branch.
3. Select the parameter with the **[▶]** button.
4. Change the parameter with the **[▲]** or **[▼]** buttons.
5. Step the parameter forward using the **[▶]** button.
6. Press the **[SET/MENU]** button.
⇒ Changes back to the main menu and saves the settings.
7. With **[STORE/QUIT]**, the configuration is concluded.



If the **[SET/MENU]** and **[STORE/QUIT]** buttons are pressed, together for longer than 2 seconds, the factory settings will be restored.

Data in the individual value logger (logger: *Func StOr*) is displayed as the initial menu *rEAd L055*; also see chapter 5.5 “Data logger”.

If no button is pressed within 2 minutes, the configuration of the instrument will be interrupted. Changes made up until that point will not be saved!

5. Commissioning, operation

Menu	Parameters	Values	Meaning		
"MENU"	▶	▲ or ▼			
EN SET CONF	Set configuration: Generic settings				
	Unit: Selection of the measuring unit			1) 2)	
	Unit	Cursor at bar, mbar, ...	Measured values are denoted in the corresponding unit; the units selectable are dependent on the sensors.		
		Cursor at "user"	The measured value is specified in the freely configurable user unit: Linear calculation		
	BASE	bar, mbar	Unit "user": Base unit		
	dP	0000, 000.00000	Unit "user": Decimal point of the multiplication factor		
	FACT	-19999 ... 19999	Unit "user": Multiplication factor		
	Sea level: Correction of the sea level			1) 2)	
	SL	oFF	Sea level correction off		
		oN	Sea level correction on (see chapter 5.4.3 "Sea level correction for absolute pressure sensors").		
	ALT	-2000 ... 9999	Sea level correction in [m] (only when sensor 1 SL = oN)		
	RATE	Rate: Measuring rate			1)
		Slo	Slow: Slow measuring rate (4 Hz filtered, low power consumption)		
		FASt	Fast: Fast measuring rate, filtered (> 1,000 Hz)		
		PdEt	Peak detection: Fast measuring rate, unfiltered (1,000 Hz)		
	E.AVG	Averaging			1)
		1 ... 120	Averaging interval in seconds, used by the averaging function off.		
		oFF	Averaging deactivated		

- 1) Menu cannot be selected if there is data in the logger memory. If this is to be changed, the data must first be deleted (see chapter 5.5 "Data logger").
- 2) This menu can only be selected if an appropriate sensor is connected to connection 1. When using a second corresponding sensor on connection 2 then the settings are adopted.
- 3) Only for 2-channel version

5. Commissioning, operation

EN

Menu	Parameters	Values	Meaning
"MENU"	▶	▲ or ▼	
	<i>P.off</i>	Auto power-off: Automatic switching off of the instrument	
		1 ... 120	Auto power-off delay in minutes. If no button is pressed and there is no data transfer via the serial interface, the instrument will switch itself off after this interval.
		oFF	Auto power-off function inactive (continuous operation)
	<i>L.tE</i>	Backlighting (factory setting: 5 s)	
		oFF	No illumination
		5 ... 120	Illumination automatically switches off after 5 ... 120 s.
		on	Illumination does not switch off
<i>SEt</i>		Set calculation: Calculated displays (derived from sensor 1)	1)
<i>CALC</i>	<i>CALC</i>	Selection of the calculation function	
		oFF	No calculated display
		dP:dt	Rate of change of pressure
		SPEd	Airspeed through the orifice plate/pitot tube
		FLo	Flow / Air flow
		"dP:dt": Settings	
	<i>bASE</i>	Time unit for the rate of change of the pressure	
		PEr.S	Change in pressure per second, e.g. mbar/s
		PEr.n	Change in pressure per minute, e.g. mbar/min
		PEr.h	Change in pressure per hour, e.g. mbar/h
	<i>t.int</i>	Test duration, for which the pressure change display is calculated	
		00:01 ... 1:00	Duration in [Minutes:Seconds], Factory setting: 0:01 = 1 s

- 1) Menu cannot be selected if there is data in the logger memory. If this is to be changed, the data must first be deleted (see chapter 5.5 "Data logger").
- 2) This menu can only be selected if an appropriate sensor is connected to connection 1. When using a second corresponding sensor on connection 2 then the settings are adopted.
- 3) Only for 2-channel version

5. Commissioning, operation

Menu	Parameters	Values	Meaning
"MENU"	▶	▲ or ▼	
EN	"SPEd" or "FLO": Settings		
	Unit	SPEd: Airspeed unit	
		n:S	Metres per second, m/s
		kn:h	Kilometres per hour, km/h
		nPh	Miles per hour, mph
		knot	knots
		FLO: Volume flow or flow unit	
		n3:s	Cubic metres per second, m ³ /s
		n3:n	Cubic metres per minute, m ³ /min
		n3:h	Cubic metres per hour, m ³ /s
		L:S	Litres per second, l/s
	L:n	Litres per minute, l/min	
	A	FLO: Flow /Volume flow - display - cross-section	
		10.0 ... 1999.9, 2000 ... 14000	Effective area of the channel in cm ²
t	-100.0 ... 1000.0 °C	Air flow temperature	
P,ABS	100.0 ... 1999.9 mbar	Ambient pressure	
dP	0000, 000.0, 00.00	Decimal point setting	
Stret	oFF, 1 ... 1000	Minimum display, below which display 0 is forced.	
SET OUT	Set output: Settings for universal output		
	OUT	oFF	Interface and analogue output deactivated
		SEr	Serial interface activated
		dAC	Analogue output activated
	Adr.	01.11 ... 91	Base address of the instrument for serial communication (only with $OUT = SEr$).
dAC	CH 1, CH 2 or DIF CH	Measuring input which should be used for the analogue output (if $OUT = dAC$).	3)

- 1) Menu cannot be selected if there is data in the logger memory. If this is to be changed, the data must first be deleted (see chapter 5.5 "Data logger").
- 2) This menu can only be selected if an appropriate sensor is connected to connection 1. When using a second corresponding sensor on connection 2 then the settings are adopted.
- 3) Only for 2-channel version

5. Commissioning, operation

EN

Menu	Parameters	Values	Meaning
"MENU"	▶	▲ or ▼	
	<i>dARC.0</i>	sensor dependent e.g. -5.00 ... 5.00 mbar	Zero point setting for $OUT = dARC$: Input of the measured value with which the analogue output should output 0 V.
	<i>dARC.1</i>	sensor dependent e.g. -5.00 ... 5.00 mbar	Slope setting for $OUT = dARC$: Input of the measured value with which the analogue output should output 1 V.
SET	Set Corr: Adjustment of the measurement (1-channel version)		1)
<i>Corr</i>	<i>OFFS</i>	Zero point adjustment/offset of the sensor	
		oFF	No zero point adjustment for the sensor.
		sensor dependent e.g. -5.00 ... 5.00 mbar	The zero point of sensor 1 will be displaced by this value to compensate for deviations in the probe or in the measuring instrument.
	<i>SCAL</i>	Slope correction for the sensor	
		oFF	No slope correction for the sensor
		-2,000 ... 2,000	The measuring scale will be changed by this factor [%] to compensate deviations of probe / measuring instrument.
SET	Set Corr: Adjustment of the measurement (2-channel version)		1) 3)
<i>Corr</i>	<i>OFFS.1</i>	Zero point adjustment/offset of sensor 1	
		oFF	No zero point adjustment for the sensor 1.
		sensor dependent e.g. -5.00 ... 5.00 mbar	The zero point of sensor 1 will be displaced by this value to compensate for deviations in the probe / measuring instrument.
	<i>SCAL.1</i>	Slope correction for sensor 1	
		oFF	No slope correction for sensor 1
		-2,000 ... 2,000	The measuring scale will be changed by this factor [%] to compensate deviations of probe / measuring instrument.

- 1) Menu cannot be selected if there is data in the logger memory. If this is to be changed, the data must first be deleted (see chapter 5.5 "Data logger").
- 2) This menu can only be selected if an appropriate sensor is connected to connection 1. When using a second corresponding sensor on connection 2 then the settings are adopted.
- 3) Only for 2-channel version

5. Commissioning, operation

Menu	Parameters	Values	Meaning
"MENU"	▶	▲ or ▼	
EN	0FS.2	Zero point adjustment/offset of sensor 2	
		oFF	No zero point adjustment for sensor 2.
	5CL.2	sensor dependent e.g. -5.00 ... 5.00 mbar	The zero point of sensor 2 will be displaced by this value to compensate for deviations in the probe or in the measuring instrument.
		Slope correction for sensor 2	
	5CL.2	oFF	No slope correction for sensor 2
		-2,000 ... 2,000	The measuring scale will be changed by this factor [%] to compensate deviations of probe and measuring instrument.
SET AL.	Set Alarm: Alarm function configuration		
		On/No.So	Alarm sensor 1 on, with buzzer/without buzzer
		oFF	No alarm function for sensor 1
	AL.Lo/1	Sensor1-Min ... AL.1-Hi	Min alarm limit sensor 1 (not if AL.1 = oFF) Sensor1-Min is the lower scale range limit of sensor 1.
	AL.H/1	AL.1-Lo ... Sensor1-Max	Max alarm limit sensor 1 (not if AL.1 = oFF) Sensor1-Max is the upper scale range limit of sensor 1.
	AL.2	On/No.So	Alarm sensor 2 on, with buzzer/without buzzer
		oFF	No alarm function for sensor 2
	AL.Lo/2	Sensor2-Min ... AL.2-Hi	Min alarm limit sensor 2 (not if AL.2 = oFF) Sensor1-Min is the lower scale range limit of sensor 2.
AL.H/2	AL.2-Lo ... Sensor2-Max	Max alarm limit sensor 2 (not if AL.2 = oFF) Sensor1-Max is the upper scale range limit of sensor 2.	
AL. DIF	On/No.So	Alarm on, with/without buzzer (1-channel version) or alarm sensor difference on, with/without buzzer (2-channel version).	
	oFF	no alarm function (1-channel version) or no alarm function for sensor difference (2-channel version.)	

- 1) Menu cannot be selected if there is data in the logger memory. If this is to be changed, the data must first be deleted (see chapter 5.5 "Data logger").
- 2) This menu can only be selected if an appropriate sensor is connected to connection 1. When using a second corresponding sensor on connection 2 then the settings are adopted.
- 3) Only for 2-channel version

5. Commissioning, operation

Menu	Parameters	Values	Meaning	
"MENU"	▶	▲ or ▼		
	<i>AL.Lo</i>	-19999... AL.DIF-Hi	Min alarm limit difference (not if <i>AL.dIFF = oFF</i>)	3)
	DIF	Sensor-Min ... AL.Hi	Min alarm limit sensor (not if <i>AL. = oFF</i>) Sensor-Min is the lower scale range limit of the sensor.	
	<i>AL.Hi</i>	AL.DIF-Lo... 19999	Max alarm limit difference (not if <i>AL.diff = oFF</i>)	3)
	DIF	AL.Lo ... Sensor-Max	Max alarm limit sensor (not if <i>AL. = oFF</i>) Sensor-Max is	
<i>SEt</i> <i>LoGg</i>	Set Logger: Logger function configuration			1)
	Selection of the logger function			1)
	<i>Func</i>	CYCL	Cyclic: Logger function "cyclic logger"	
		Stor	Store: Logger function "individual value logger"	
		oFF	No logger function	
	<i>CYCL</i>	00:01 ... 60:00	Cycle time for cyclic logger [minutes:seconds]	1)
<i>Lo.Po</i>	on/oFF	Low-power logger with very low power supply (only if cyclic logger with slow measuring rate)	1)	
<i>SEt</i> <i>CLOC</i>	Set Clock: Setting of the real-time clock			
	<i>CLOC</i>	HH:MM	Clock: Set time hours:minutes	
	<i>YEAr</i>	YYYY	Year: Set year	
	<i>dAtE</i>	TT.MM	Date: Set time day.month	
<i>rEAd</i> <i>LoGg</i>	rEAd Logg: Reading the individual logger data			
			See chapter 5.5.1 "Manual records"	

- 1) Menu cannot be selected if there is data in the logger memory. If this is to be changed, the data must first be deleted (see chapter 5.5 "Data logger").
- 2) This menu can only be selected if an appropriate sensor is connected to connection 1. When using a second corresponding sensor on connection 2 then the settings are adopted.
- 3) Only for 2-channel version

5. Commissioning, operation

5.4 Special functions

5.4.1 Different pressure units

Depending on the connected sensor, in “**MENU (Unit)**” different units can be selected. Depending on the measuring range, the selection may be limited!

EN

User unit

For units which are not covered by the units imprinted on the display, a manual setting can be made via the user unit.

Example:

So that the unit kg/cm^2 can be displayed with a CPT6200 reference pressure sensor, this must be set:

	kg/cm^2	Torr	atm	at
<i>bPSE</i> user	bar	mbar	bar	bar
<i>dP</i> user	.0000	.0000	.0000	.0000
<i>FACt</i> user	1.0197	.7433	.9869	1.0197

5.4.2 Different measuring modes

The instrument supports 3 different measuring modes for various purposes. Two of these, *P.dEt* and *FACt*, operate with an increased measuring frequency of > 1,000 measurements/s.

5.4.2.1 Standard measurement (slow)

rAEE SLo **Measuring rate 4 Hz, averaging and filter functions are active.**

Application range:

Measurement of slow pressure changes and static pressures, e.g. leak testing, atmospheric pressure measurements, etc.

Highest measuring accuracy, insensitive to disturbances, low current consumption.

5.4.2.2 Peak value detection (Peak detection)

rAEE P.dEt Measuring rate > 1,000 Hz; the value is displayed unfiltered.

Field of application in combination with logger function:

Measurement of pressure spikes or fluctuating pressures with a resolution of < 1 ms. The cyclic logger function records the arithmetic mean value, the highest and the lowest peak during the chosen time interval.

5. Commissioning, operation



This measurement is sensitive to noise (also against electromagnetic disturbances) and the power consumption is increased.

EN

5.4.2.3 Fast measurement

r_{ALE} *FAST* Measuring rate $> 1,000$ Hz, but the value is filtered slightly (higher noise immunity, small peaks will be filtered out), apart from that, identical behaviour to r_{ALE} *P.DET*.

5.4.3 Sea level correction for absolute pressure sensors

The CPH6300 measures the absolute pressure of the ambient air. This is not to be confused with the “air pressure at sea level” given by the weather station! With this pressure indication, the altitude-dependent atmospheric pressure drop is calculated.

The instrument is capable of making this air pressure altitude correction.

1. For this, activate the “**Sea level function**” (see chapter 5.3 “Configuration of the instrument”).
⇒ The setting is only possible, if an abs. pressure sensor is connected to sensor connection 1.
2. Input the height above sea level in metres (see chapter 5.3 “Configuration of the instrument”).
⇒ With the sea level function active, S_L is shown in the display.
3. Once the height of the fixed location above sea level has been entered, the instrument displays the absolute pressure at sea level.



With 2 connected absolute pressure sensors, carry out the sea level function for both sensors corresponding to the setting of sensor 1 (only applies to the 2-channel version).

5.4.4 Averaging



The averaging function acts on the displayed values (display and serial interface). It is completely independent of the averaging within the logger function with *FAST* and *P_DET*.

The averaging integrates the measured values during a chosen time interval and then calculates the average display value. It is independent of the selected measuring rate (slow/fast measurement).

5. Commissioning, operation

As soon as a sufficiently long set time (in seconds) has been measured in order to calculate the mean value, ----- is shown in the display, in the lower display, a 'countdown' is displayed.

EN

During the low-power logger operation, the averaging function is always deactivated.

Function of Min/Max value memory in conjunction with the averaging function:

- If averaging is activated and slow measuring, RATE SLO , is selected, the min/max memory value relates to the average display value.
- If averaging is activated and fast measuring function is selected (RATE FAST or P.DEE), the min/max memory value relates to the internal measured values (> 1,000 Hz measuring frequency).

5.4.5 Rate of change of pressure (only for sensor connection 1)

With the CALC function dP/dt , pressure changes per time can be directly displayed. The underlying measurement intervals, t_int , can thus be chosen freely. The instrument automatically saves pressure values over this time period and calculates, using the current measured value and the historical data in the memory, the rate of change of the pressure (pressure change/time).

[TARE] button: The historical data is deleted, calculation begins again from the start.

Example:

Leak testing for wastewater channels with the criteria of lower than -3 mbar/min over a test duration of 5 minutes with a test pressure of 250 mbar.

Equipment/default setting:

- Shut-off bladder and pressure pumps
- Sensor: CPT6200 (measuring range 0 ... 1 bar)
- $\text{BASE} = \text{PEt.n}$ (minutes) Time unit for the pressure change display
- $\text{t_int} = 1:00$ (1 minute) test duration, for which the pressure range display is calculated
- Logger: CYCL , 5 seconds

Execution:

1. Connect components, make necessary sealing.
2. Start logger.
3. Load with pressure, wait sufficient time.
4. Re-start calculation with **[TARE]** button.
⇒ Current pressure value is displayed.

5. Commissioning, operation

EN

- Using the **[SET/MENU]** button, $dP.dt$ can be changed on the display.
⇒ The display also gives an indication of the test result during the execution of the test.
- After 5 minutes, release the pressure.
- Stop the logger.

Evaluation:

Read the data logger with GSOFT and enter "Commentary" in the register.

- Originator
- Test site
- Date and time
- Address / channel number
- Inventory data of the object (channel type, nominal width, etc.)
- Test procedures
- Pressures, tolerances, etc.
- Results of the testing

For this, a corresponding comments template can be prepared as a file. During printing, company logos, etc. can be included.



Setting t_{int} : If very high values are set here, the display value can easily be misinterpreted since the display values react correspondingly slowly! The display value is calculated: $(P(T_{current}) - P(T_{current-t_{int}})) / t_{int}$
If the data is not yet available over the entire t_{int} timespan, the values are extrapolated using the data already available.

5.5 Data logger

The instrument has two different logger functions:

- FUNC STORE** Manual recording of the measured value by pressing the **[STORE/QUIT]** button. Additionally, a measuring point input (L-Id) is required
- FUNC CYCL** Automatic recording at the interval of the set cycle time.

1-channel version:

The data logger displays 3 measuring results for each data set:

- **[ALC OFF]**: Measured or mean value (depending on function), Min.-Peak and Max.-Peak
- **[ALC "active"]**: Measured or mean value (depending on function)
- Estimated calculations and dummy values (see chapter 5.4.5 "Rate of change of pressure (only for sensor connection 1)")

5. Commissioning, operation

2-channel version:

- The data logger displays 9 measuring results for each data set:
- Measured or mean value (depending on function), Min.-Peak and Max.-Peak sensor 1
- Measured or mean value (depending on function), Min.-Peak and Max.-Peak sensor 2
- Measured or mean value (depending on function)
 - $[ALC]$ OFF : Min.-Peak and Max.-Peak sensor 1 – sensor 2
 - $[ALC]$ “active”: Estimated calculations and dummy values (see chapter 5.4.5 “Rate of change of pressure (only for sensor connection 1)”)

Min.- and Max.-Peak are, respectively, the minimum and the maximum measured value during the last save operation. Therefore both the current pressure value and also any pressure spikes occurring can be accurately analysed.

To evaluate the data, you will need GSOFT software (from V3.0), where the logger function can be very easily started and set.

Free-of-charge updates are available at www.wika.com.

With the logger function $FUNC$ $STORE$ or $FUNC$ $CYCL$ activated, the hold function is not available - the **[STORE/QUIT]** button is then responsible for the logger operation.

5.5.1 Manual records

5.5.1.1 Start manual recording

If the logger function, $FUNC$ $STORE$ is selected (see 5.3 “Configuration of the instrument”), a maximum of 1,000 measurements can be stored manually:

1. Press **[STORE/QUIT]** button.
 - ⇒ Data set is stored (“St. XX” is displayed briefly. XX is the number of the data set)
2. Measuring point input “L - I d”:
 - ⇒ Selection of the measuring location via the **[▲]** or **[▼]** buttons. Number from 0 ... 19999 or text, which is assigned a number from 1 ... 40.
 - ⇒ Assignment of the text is made via the “ConfigSoft” software which is available free of charge from www.wika.com.
3. Confirm the entry with **[STORE/QUIT]**.

At the moment of saving, a data set consists of the following values.

(1-channel version)

- Measured value
- $[ALC]$ OFF : Min.-Peak and Max.-Peak since last save
- $[ALC]$ “active”: Estimated calculation and dummy values (see chapter 5.4.5 “Rate of change of pressure (only for sensor connection 1)”)

5. Commissioning, operation

EN

- Time and date

LOGG FULL Shows in the event the logger memory is full.

(2-channel version)

- Sensor 1: Measured value
- Sensor 1: Min.-Peak, Max.-Peak since last save
- Sensor 2: Measured value
- Sensor 2: Min.-Peak, Max.-Peak since last save
- Difference sensor 1 - sensor 2: Measured value
- *CALC OFF*: Difference sensor 1 - sensor - 2: Min.-Peak, Max.-Peak since last save
- *CALC* "active": Estimated calculation and dummy values (see chapter 5.4.5 "Rate of change of pressure (only for sensor connection 1)")
- Time and date

LOGG FULL Shows in the event the logger memory is full.

5.5.1.2 Requesting manual recording

Saved data sets can be read with GSOFT software and also be viewed in the instrument display.



With the single-value logger, after saving a measured value, the pressure sensor can no longer be changed, otherwise invalid data could be read. To read the data, the pressure sensor used must be connected!

1. Press the **[SET/MENU]** button for 2 seconds.
⇒ The display will then show *READ LOGG*.



READ LOGG is displayed only if data sets have already been saved! Without any data sets, the *SET CONF* configuration menu is displayed.

2. Press the **[▶]** button briefly.
⇒ Changing between measured values and display date and time for the data set.
3. Press the **[▲]** or **[▼]** button.
⇒ Changes between the data sets.
4. Press **[STORE/QUIT]** button.
⇒ Finish the display of the recordings.

5. Commissioning, operation

5.5.1.3 Clear manual recording

If the data has already been saved, this can be cleared via the **[STORE/QUIT]** button:

1. Press the **[STORE/QUIT]** button for 2 seconds.

⇒ Accesses the “Delete” function.

2. Press the **[▲]** or **[▼]** button.

⇒ Change the selection.

[Lr n0] Do not delete (cancel the process).

[Lr ALL] Delete all data sets.

[Lr LAST] Clear the last data set.

3. Press **[STORE/QUIT]** button.

⇒ Confirm the selection, end of the “Delete” function.

5.5.2 Automatic recording with adjustable cycle

If the logger function, **FUNC CYCL**, is selected (see 5.3 “Configuration of the instrument”), following the start of the logger, the measured value is automatically at the interval of the set cycle time.

The logger cycle time is adjustable from 1 s ... 60 min.

At the moment of saving, a data set consists of the following values.

(1-channel version):

Storable data sets: 10,000

With slow measurements: **rATE SLo**

■ Measured value

■ **[RLC OFF]**: Min.-Peak and Max.-Peak since last save

■ **[RLC “active”]**: Estimated calculation and dummy values (see chapter 5.4.5 “Rate of change of pressure (only for sensor connection 1)”))

With fast measurements: **rATE FASt** and **rATE P.dEt**

■ Arithmetic average since last save

■ **[RLC OFF]**: Min.-Peak and Max.-Peak since last save

■ **[RLC “active”]**: Estimated calculation and dummy values (see chapter 5.4.5 “Rate of change of pressure (only for sensor connection 1)”))

5. Commissioning, operation

EN

2-channel version:

Storable data sets: 8,000

With slow measurements: *rATE SLO*

- Sensor 1: Measured value
- Sensor 1: Min.-Peak, Max.-Peak since last save
- Sensor 2: Measured value
- Sensor 2: Min.-Peak, Max.-Peak since last save
- Difference sensor 1 - sensor 2: Measured value
- *[ALC OFF]*: Difference sensor 1 - sensor - 2: Min.-Peak, Max.-Peak since last save
- *[ALC "active"]*: Estimated calculation and dummy values (see chapter 5.4.5 "Rate of change of pressure (only for sensor connection 1)")

With fast measurements: *rATE FAST* and *rATE P.DEL*

- *[ALC OFF]*: Min.-Peak and Max.-Peak since last save
- *[ALC "active"]*: Estimated calculation and dummy values (see chapter 5.4.5 "Rate of change of pressure (only for sensor connection 1)")

- Sensor 1: Arithmetic mean
- Sensor 1: Min.-Peak, Max.-Peak since last save
- Sensor 2: Arithmetic mean
- Sensor 2: Min.-Peak, Max.-Peak since last save
- Difference sensor 1 - sensor 2: Arithmetic mean
- *[ALC OFF]*: Difference sensor 1 - sensor - 2: Min.-Peak, Max.-Peak since last save
- *[ALC "active"]*: Estimated calculation and dummy mean values (see chapter 5.4.5 "Rate of change of pressure (only for sensor connection 1)")



With the measurement mode *rATE SLO*, a current-saving function is selectable: *LO.P0*. If this is *ON*, it operates that, while the logger is recording, a measurement only occurs at the respective logger time. This reduces the current consumption considerably and is therefore mainly recommended for long-term measurements (e.g. leak testing).

5.5.2.1 Starting logger recording

1. Press the **[STORE/QUIT]** button for 2 seconds.
⇒ *LOGG RUN* is displayed
2. Press **[STORE/QUIT]** button once more.
⇒ Automatic logger recording started.

5. Commissioning, operation

Each save operation will be signalled briefly on the display with “St.XXXXX”.
XXXXX is the number of the data set.

EN

- LOGG FULL** Shows in the event the logger memory is full. The recording will be stopped automatically.
- Lo.Po.on** Appears with the low-power logger function.
As soon as the logger memory is full, the instrument switches itself off.

5.5.2.2 Stopping the logger recording:

1. Press the **[STORE/QUIT]** button for 2 seconds.
⇒ If a recording is running, the stop menu is displayed.
2. Press the **[▲]** or **[▼]** button.
⇒ Change the selection.

STOP no Do not stop recording (cancel the process).

STOP YES Stop recording.

3. Press **[STORE/QUIT]** button.
⇒ Confirmation of the selection, logger recording ended.



If you try to switch off an instrument during a logging cycle, you will automatically be asked if you wish to stop recording.
The instrument can only be switched off after the recording has been stopped.
The auto power-off function is deactivated during recording!

5.5.2.3 Clearing logger recording

1. Press the **[STORE/QUIT]** button for 2 seconds.
⇒ In the case where there is logger data present, and the recording has already been stopped, **LOGG RUN** is shown
2. Press the **[▲]** or **[▼]** button.
⇒ Change the selection to **LOGG CLR** in order to call the “Delete” function.
3. Press the **[▲]** or **[▼]** button.
⇒ Change the selection.

CLR no Do not delete (cancel the process).

CLR ALL Delete all data sets.

CLR LAST Clear the last data set.

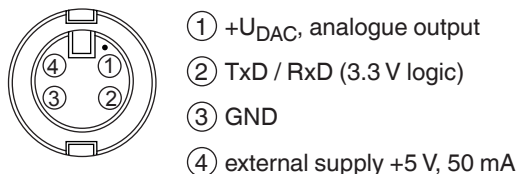
5. Commissioning, operation

- Press **[STORE/QUIT]** button.
⇒ Confirm the selection, end of the “Delete” function.

5.6 Universal output

The universal output can also be used as a USB interface (for USB6300 interface adapter) or as an analogue output (0 ... 1 V). If the output is not required, it should be deactivated ($OUT\ OFF$) since this strongly reduces the battery usage.

Connector assignment



CAUTION!

Only suitable adapter cable is permitted (WIKA accessory)!

5.6.1 USB interface

With a USB6300 galvanically isolated interface converter (WIKA accessory), the instrument can be connected directly to a USB interface of a PC. The transmission is made in a binary-coded format and is protected against transmission errors by an extensive safety mechanism (CRC).

As operation and evaluation software for the integrated logger function, GSOFT software is suitable.

5.6.2 Analogue output

At the universal output connector, an analogue voltage of 0 ... 1 V can be tapped (setting $OUT\ dARC$).

With $dARC\ .0$ and $dARC\ .1$ the analogue output can be easily scaled.

It must be ensured that the analogue output is not loaded too heavily, otherwise the output value can be corrupted and the power consumption of the instrument increases correspondingly. Loads up to approx. 100 k Ω are harmless.

If the display exceeds the value set with $dARC\ .1$, then 1 V will be output.

If the display drops below the value set with $dARC\ .0$, then 0 V will be output.

5. Commissioning, operation

In the event of an error ($Err.1$, $Err.2$, $----$, etc.) an analogue signal slightly over 1 V will be output.

EN 5.7 Adjustment of the instrument

With "Offset" and "Scale", both measuring inputs can be adjusted, so long as reliable reference measuring instruments are available. As a reference instrument, use an instrument with at least 3 ... 4 times better accuracy.

If an adjustment is made (deviation from factory setting), this is signalled with the message Err on switching on the instrument, and with an arrow next to Err in the display during operation.

Default setting of the zero point and slope values is: $OFF = 0.0$, i.e. no correction has been made

- Only offset correction:

$$\text{Displayed value} = \text{measured value} - OFFS$$

- Offset and slope correction:

$$\text{Display} = (\text{measured value} - OFFS) * (1 + SCAL / 100)$$

5.8 Pressure connection at the pressure sensors

The instrument has been designed so that all model CPT6200 sensors can be connected without the need for any recalibration. This means that a large number of fully interchangeable sensors are available for measuring ranges from 0 ... 100 mbar to 0 ... 1,000 bar (0 ... 1.5 psi to 0 ... 14,500 psi).

Reference pressure sensors, model CPT6200

For overpressure, vacuum and absolute pressure measurements: Screw sensor into threads (G 1/2B) or connect the plastic hose to the pressure sensor using a suitable adapter. Instrument connection is made via the sensor connection cable.

Differential pressure measurement with 2 sensors (only with 2-channel version)

Through the differential calculation sensor 1 - sensor 2 (DIF), the pressure difference of the model CPT6200 sensors can be displayed.

5.9 Real-time clock

The real-time clock is needed for time stamping of the logger data and the calibration time points. As a result, the clock settings should be checked regularly.

5. Commissioning, operation / 6. Faults

EN

5.10 Alarm

3 settings are possible:

- Alarm off AL_OFF
- Alarm on with buzzer AL_ON
- Alarm on without buzzer AL_NO_SO

In the following cases, if the alarm function is activated (ON or NO_SO), an alarm will be raised:

- Value below lower alarm limit AL_LO
- Upper alarm limit AL_HI exceeded
- Sensor error
- low battery bAT
- Err.7: System error (always indicated with a buzzer)

6. Faults

Personnel: Skilled personnel

Protective equipment: Protective gloves and safety goggles

Tools: Spanner or torque spanner



CAUTION!

Physical injuries and damage to property and the environment

If faults cannot be eliminated by means of the listed measures, the instrument must be taken out of operation immediately.

- ▶ Ensure that pressure or signal is no longer present and protect against accidental commissioning.
- ▶ Contact the manufacturer.
- ▶ If a return is needed, please follow the instructions given in chapter 8.2 "Return".

6. Faults



WARNING! **Physical injuries and damage to property and the environment caused by hazardous media**

Upon contact with hazardous media (e.g. oxygen, acetylene, flammable or toxic substances), harmful media (e.g. corrosive, toxic, carcinogenic, radioactive), and also with refrigeration plants and compressors, there is a danger of physical injuries and damage to property and the environment. Should a failure occur, aggressive media with extremely high temperature and under high pressure or vacuum may be present at the pressure sensor.

- ▶ For these media, in addition to all standard regulations, the appropriate existing codes or regulations must also be followed.
- ▶ Wear the requisite protective equipment.



For contact details see chapter 1 “General information” or the back page of the operating instructions.

Display	Meaning	Remedy
SEnS Err0 or Err.9	No sensor connected.	Switch instrument off and connect sensor
	Connected sensor or instrument is defective.	Test the instrument with a 2nd sensor, if available - return any defective sensor or instrument for repair.
	Reading is significantly above or below the measuring range	Check: Is the pressure within the permissible measuring range of the sensor?
	Cable break	Visually check the continuity of the cable. If there is any damage to the cable, replace it with a new one.
No display or undefinable characters, instrument is not responding to push of a button	Battery is empty	Replace battery
	Mains supply operation: Incorrect voltage/polarity	Check / exchange power supply unit
	System error	Disconnect battery and power supply unit, wait a short while, reconnect.
	Instrument defect	Send in for repair

6. Faults / 7. Maintenance, cleaning and recalibration

EN

Display	Meaning	Remedy
Err.1	Measured value above allowable range	Check: Is the pressure over the permissible one? Measuring range of the sensor? ⇒ Measured value too high!
	Sensor defect	Send in for repair
Err.2	Measured value below allowable range	Check: Is the pressure under the permissible measuring range of the sensor? ⇒ Measured value too low!
	Sensor defect	Send in for repair
Err.3	Scale range exceeded	Check: Is the value above 19999? ⇒ Measured value too high!
Err.4	Under the scale range	Check: Is the value below -19999 (Tare?) ⇒ Measured value too low!
Er.11	Measured value could not be calculated	Choose different unit
	Calculation range exceeded	Choose different unit
Err.7	System error	Send in for repair
----	Sensor not present / recognised	Plug in inserted sensor once more, with running recording, stop the logger and re-start it
	Display value cannot be calculated	Plug in appropriate sensor combination

7. Maintenance, cleaning and recalibration

Personnel: Skilled personnel

Protective equipment: Protective gloves and safety goggles

Tools: Cross-head screwdriver, spanner or torque spanner



For contact details see chapter 1 “General information” or the back page of the operating instructions.

7.1 Maintenance

The model CPH6300 hand-held pressure indicator and the associated CPT6200 reference pressure sensors are maintenance-free.

Repairs must only be carried out by the manufacturer.

7. Maintenance, cleaning and recalibration

This does not apply to the battery replacement.
Only use original parts (see chapter 10 “Accessories”).

EN

Battery replacement

If **bAt** is flashing in the display, then the battery has been drained. For a short time, further measurements can still be made. If only **bAt** is shown in the display, the battery has been completely drained and must be exchanged. Measurement is no longer possible.



CAUTION!

Damage to the instrument

When working on open electrical circuits (printed circuit boards) there is a risk of damaging sensitive electronic components through electrostatic discharge.

- ▶ The correct use of grounded working surfaces and personal armbands is required.



CAUTION!

Damage to the instrument

Changing the battery incorrectly can result in damage to the instrument or impairment of the protection against moisture penetration!

- ▶ Avoid unscrewing the instrument unnecessarily!
- ▶ Carry out the battery change as described below.

1. Unscrew the three cross-head screws on the rear of the instrument.
2. Lie the instrument, still closed, so that the display remains visible. During the entire battery change, the instrument must be left in this way. This will prevent the sealing rings in the screw holes from falling out.
3. Lie the instrument, still closed, so that the display remains visible. During the entire battery change, the instrument must be left in this way. This will prevent the sealing rings in the screw holes from falling out.
4. Lift off the upper half of the case. Take particular care with the six function buttons so as not to damage them.
5. Change both batteries (type: AAA) carefully. Take care of the polarity of the batteries.
6. Place the upper part of the case back and, in doing so, be careful that it is placed cleanly, otherwise the sealing may be damaged. Subsequently, press both parts of the case back together.



7. Maintenance, cleaning and recalibration

EN

7. Lie the measuring instrument on the display side.
8. Screw the measuring instrument back together, starting with the individual screw on the bottom.

7.2 Cleaning



CAUTION!

Physical injuries and damage to property and the environment

Improper cleaning may lead to physical injuries and damage to property and the environment. Residual media in the dismantled instrument can result in a risk to persons, the environment and equipment.

- ▶ Wear the requisite protective equipment.
- ▶ Carry out the cleaning process as described below.

1. Prior to cleaning, isolate the instrument properly from the pressure source and switch it off.
2. Use the requisite protective equipment.
3. Clean the instrument with a moist cloth.

Electrical connections must not come into contact with moisture!



CAUTION!

Damage to the instrument

Improper cleaning may lead to damage to the instrument!

- ▶ Do not use any aggressive cleaning agents.
- ▶ Do not use any hard or pointed objects for cleaning.

4. Wash or clean the instrument, in order to protect personnel and the environment from exposure to residual media.

7.3 Recalibration

DKD/DAkkS certificate - official certificates:

We recommend that the instrument is regularly recalibrated by the manufacturer, with time intervals of approx. 12 months. The basic settings will be corrected if necessary.

8. Dismounting, return and disposal

8. Dismounting, return and disposal

Personnel: Skilled personnel

Protective equipment: Protective gloves and safety goggles

Tools: Cross-head screwdriver, spanner or torque spanner



WARNING!

Physical injuries and damage to property and the environment through residual media

Residual media in dismantled instruments can result in a risk to persons, the environment and equipment.

- ▶ Wear the requisite protective equipment.
- ▶ Observe the information in the material safety data sheet for the corresponding medium.
- ▶ Wash or clean the instrument, in order to protect personnel and the environment from exposure to residual media.

8.1 Dismounting



WARNING!

Physical injuries and damage to property and the environment through residual media

Upon contact with hazardous media (e.g. oxygen, acetylene, flammable or toxic substances), harmful media (e.g. corrosive, toxic, carcinogenic, radioactive), and also with refrigeration plants and compressors, there is a danger of physical injuries and damage to property and the environment.

- ▶ Before storage of the dismantled instrument (following use) wash or clean it, in order to protect persons and the environment from exposure to residual media.



WARNING!

Physical injury through dismantling

When dismantling, there is a danger from aggressive media and high pressures.

- ▶ Disconnect the pressure sensor once the system has been depressurised.

1. Disconnect the electrical connection to the CPH6200.
2. Loosen the pressure sensor with a spanner or torque spanner, using the spanner flats, till it is loose.
3. Screw out the pressure sensor by hand.
4. If required, clean the pressure sensor, see chapter 7.2 "Reinigung".

8. Dismounting, return and disposal

EN

8.2 Return

Strictly observe the following when shipping the instrument:

All instruments delivered to WIKA must be free from any kind of hazardous substances (acids, bases, solutions, etc.) and must therefore be cleaned before being returned.

All instruments delivered to WIKA must be free from any kind of hazardous substances (acids, bases, solutions, etc.) and must therefore be cleaned before being returned.



WARNING!

Physical injuries and damage to property and the environment through residual media

Residual media in dismantled instruments can result in a risk to persons, the environment and equipment.

- ▶ With hazardous substances, include the material safety data sheet for the corresponding medium.
- ▶ Clean the instrument, see chapter 7.2 “Cleaning”.

When returning the instrument, use the original packaging or a suitable transport packaging.

To avoid damage:

1. Wrap the instrument in an antistatic plastic film.
2. Place the instrument, along with the shock-absorbent material, in the packaging. Place shock-absorbent material evenly on all sides of the transport packaging.
3. If possible, place a bag, containing a desiccant, inside the packaging.
4. Label the shipment as transport of a highly sensitive measuring instrument.



Information on returns can be found under the heading “Service” on our local website.

8.3 Disposal

Incorrect disposal can put the environment at risk.

Dispose of instrument components and packaging materials in an environmentally compatible way and in accordance with the country-specific waste disposal regulations.



This marking on the instruments indicates that they must not be disposed of in domestic waste. The disposal is carried out by return to the manufacturer or by the corresponding municipal authorities.

9. Specifications

9. Specifications

Model CPH6300 hand-held pressure indicator (complete measuring chain)

EN	Measuring inputs	1 input for CPH6300-S1 2 inputs for CPH6300-S2			
	Measuring range				
Gauge pressure	mbar	-600 ... 0	-600 ... +600	-400 ... 0	-400 ... +400
		-250 ... 0	-250 ... +250	-100 ... +100	-20 ... 60
		-20 ... 40	-20 ... 25	0 ... 25	0 ... 40
		0 ... 60	0 ... 100	0 ... 160	0 ... 250
		0 ... 400	0 ... 600		
	bar	-1 ... 0	-1 ... 1,5	-1 ... 3	-1 ... 5
		-1 ... 9	-1 ... 15	-1 ... 24	-1 ... 39
		0 ... 1	0 ... 1.6	0 ... 2.5	0 ... 4
		0 ... 6	0 ... 10	0 ... 16	0 ... 25
		0 ... 40	0 ... 60	0 ... 70	0 ... 100
		0 ... 160	0 ... 250	0 ... 400	0 ... 600
		0 ... 1,000			
		psi	0 ... 0.4	0 ... 0.6	0 ... 0.9
	0 ... 2.5		0 ... 4	0 ... 6	0 ... 10
	0 ... 14.5		0 ... 25	0 ... 40	0 ... 60
	0 ... 90		0 ... 145	0 ... 250	0 ... 360
	0 ... 580		0 ... 870	0 ... 1,450	0 ... 2,320
	0 ... 3,630		0 ... 5,800	0 ... 8,700	0 ... 14,500
	Absolute pressure	mbar abs.	0 ... 250	0 ... 400	0 ... 600
bar abs.		0 ... 1	0 ... 1.6	0 ... 2.5	0 ... 4
		0 ... 6	0 ... 10	0 ... 16	0 ... 25
		0.8 ... 1.2			
Overpressure limit (depending on measuring range)	3 times; ≤ 25 bar 2 times; > 25 bar ... ≤ 600 bar 1.5 times; > 600 bar		3 times; ≤ 360 psi 2 times; > 360 psi ... ≤ 8,700 psi 1.5 times; > 8,700 psi		
Resolution	dependant on pressure range (max. 4 1/2-digit)				
Accuracy of the measuring chain ¹⁾	0.2 % FS (resolution 4-digit); {optional: 0.1 % FS (resolution 4 1/2-digit)} ²⁾				

{) Items in curved brackets are optional extras for an additional price.

1) It is defined by the total measurement uncertainty, which is expressed with the coverage factor ($k = 2$) and includes the following factors: the intrinsic performance of the instrument, the measurement uncertainty of the reference instrument, long-term stability, influence of ambient conditions, drift and temperature effects over the compensated range during a periodic zero point adjustment.

2) Reference conditions: 15 ... 25 °C (59 ... 77 °F)

9. Specifications

EN

Model CPH6300 hand-held pressure indicator (complete measuring chain)

Types of pressure	Gauge pressure, {absolute pressure from 0 ... 25 bar abs. (0 ... 360 psi abs.) and vacuum from -1 ... +39 bar (-14.5 ... 550 psi)} Differential pressure measuring only with CPH6300-S2 and two model CPT6200 reference pressure sensors connected possible
Sensor compatibility	Compatible with model CPT6200 reference pressure sensors

Digital indicator model CPH6300

Indication	
Display	Large 4 1/2-digit LC display with backlighting for indication of two pressure values and additional information
Indication range	-19999 ... 19999 digits, depending on sensor used
Pressure units	bar, mbar, psi, Pa, kPa, MPa, mmHg, inHg, mH ₂ O and a customer-specific unit, pre-set to kg/cm ² (depending on the measuring range, freely selectable)
Functions	
Measuring rate	4/s ("slow"); 1,000/s ("fast"); > 1,000/s unfiltered (peak value detection), selectable
Memory	Min./Max., integrated data logger
Functions via button press	Backlighting, Min./Max. memory, Hold, Tare, zero-point adjustment, Logger (start/stop)
Menu functions	Min./Max. alarm (acoustic/visual), sea level (barometric air pressure), power-off function, measuring rate, mean value filter
Mean value filter	1 ... 120 seconds, adjustable
Data logger	Individual value logger: Up to 1,000 recordings (with measuring point input, 40 settable measuring point texts or measuring point nos.) incl. time via button press Cyclic logger: Automatic recording of up to 10,000 values incl. time Cycle time: Selectable from 1 ... 3,600 seconds
Real-time clock	integrated clock with date
Leak testing/sealing tests	Pressure rate display, logging via data logger
Voltage supply	
Power supply	2 x 1.5 V AAA batteries
Battery life	> 500 hours of operation (1 sensor with a measuring rate of 4/s)
Battery status indication	Icon in display

9. Specifications

Digital indicator model CPH6300

Permissible ambient conditions

Operating temperature	-25 ... +50 °C (-13 ... +122 °F)
Storage temperature	-25 ... +70 °C (-13 ... +158 °F)
Relative humidity	0 ... 95 % r. h. (non-condensing)

Communication

Interface	USB via interface cable
Analogue output	DC 0 ... 1 V; configurable (selectable via menu alternative to interface)

Case

Material	impact-resistant ABS plastic, membrane keyboard, transparent screen, silicone protective casing
Ingress protection	IP65, IP67 (both ingress protection types are met)
Electrical connection	Sensor cable: Bayonet connector, 7-pin Interface connector: Bayonet connector, 4-pin
Dimensions	See technical drawings
Weight	approx. 250 g (0.55 lbs) (incl. batteries and protective casing)

Reference pressure sensor model CPT6200

Pressure connection ⁴⁾	G ½ B; {flush (G 1 for 0.1 ... 1.6 bar (1.5 ... 25 psi)) or various connection adapters on request}
-----------------------------------	---

Material

Wetted parts	Stainless steel or Elgiloy [®] , (> 25 bar (360 psi) additionally with NBR seal) ³⁾ Flush diaphragm version: Stainless steel {Hastelloy C4}; O-ring: NBR {FKM/FPM or EPDM}
Internal transmission fluid	Synthetic oil (only for measuring ranges to 16 bar (250 psi) or flush diaphragm) {Halocarbon oil for oxygen applications}; {Listed by FDA for food industry}

{ } Items in curved brackets are optional extras for an additional price.

3) For pressure measuring ranges 0 ... 25 mbar, 0 ... 40 mbar and 0 ... 60 mbar (0 ... 0.4 psi, 0 ... 0.6 psi and 0 ... 0.9 psi) all wetted parts are made of stainless steel, silicon, aluminium, gold, silicone.

4) As an oxygen version, a flush diaphragm model is not available. In an oxygen version, the model CPT6200 is only available in overpressure ranges ≥ 0.25 bar (≥ 0.4 psi), with media temperatures between -10 ... +50 °C (14 ... 122 °F) and using stainless steel or Elgiloy[®] wetted parts.

9. Specifications

EN

Reference pressure sensor model CPT6200

Sensor specifications

Accuracy ¹⁾	≤ 0.2 % of span at reference conditions ²⁾
Compensated range	0 ... 80 °C (0 ... 176 °F)
Mean temperature coefficient	≤ 0.2 % of span/10 K (outside of reference conditions)

Permissible ambient conditions

Medium temperature ⁴⁾	-30 ... +100 °C (-22 ... +212 °F) ⁵⁾
Operating temperature	-20 ... +80 °C (-4 ... +176 °F)
Storage temperature	-40 ... +100 °C (-40 ... +212 °F) ⁵⁾
Humidity	0 ... 95 % r. h. (non-condensing)

Case

Material	Stainless steel
Connection to the CPH6300	via 1 m (3.3 ft) connection cable (plug-and-play); optional: up to 5 m (16.4 ft)
Ingress protection	IP67
Dimensions	See technical drawing
Weight	approx. 220 g (0.49 lbs)

{ } Items in curved brackets are optional extras for an additional price.

- 1) It is defined by the total measurement uncertainty, which is expressed with the coverage factor ($k = 2$) and includes the following factors: the intrinsic performance of the instrument, the measurement uncertainty of the reference instrument, long-term stability, influence of ambient conditions, drift and temperature effects over the compensated range during a periodic zero point adjustment.
- 2) Reference conditions: 15 ... 25 °C (59 ... 77 °F)
- 3) For pressure measuring ranges 0 ... 25 mbar, 0 ... 40 mbar and 0 ... 60 mbar (0 ... 0.4 psi, 0 ... 0.6 psi and 0 ... 0.9 psi) all wetted parts are made of stainless steel, silicon, aluminium, gold, silicone.
- 4) As an oxygen version, a flush diaphragm model is not available. In an oxygen version, the model CPT6200 is only available in overpressure ranges ≥ 0.25 bar (≥ 0.4 psi), with media temperatures between -10 ... +50 °C (14 ... 122 °F) and using stainless steel or Elgiloy[®] wetted parts.
- 5) For pressure measuring ranges 0 ... 25 mbar, 0 ... 40 mbar and 0 ... 60 mbar (0 ... 0.4 psi, 0 ... 0.6 psi and 0 ... 0.9 psi) the medium temperature and storage temperature are limited to +80 °C (176 °F).

Certificate

Calibration	Standard: 3.1 calibration certificate per DIN EN 10204 Option: DKD/DAkkS calibration certificate
Recommended recalibration interval	1 year (dependent on conditions of use)

Approvals and certificates, see website

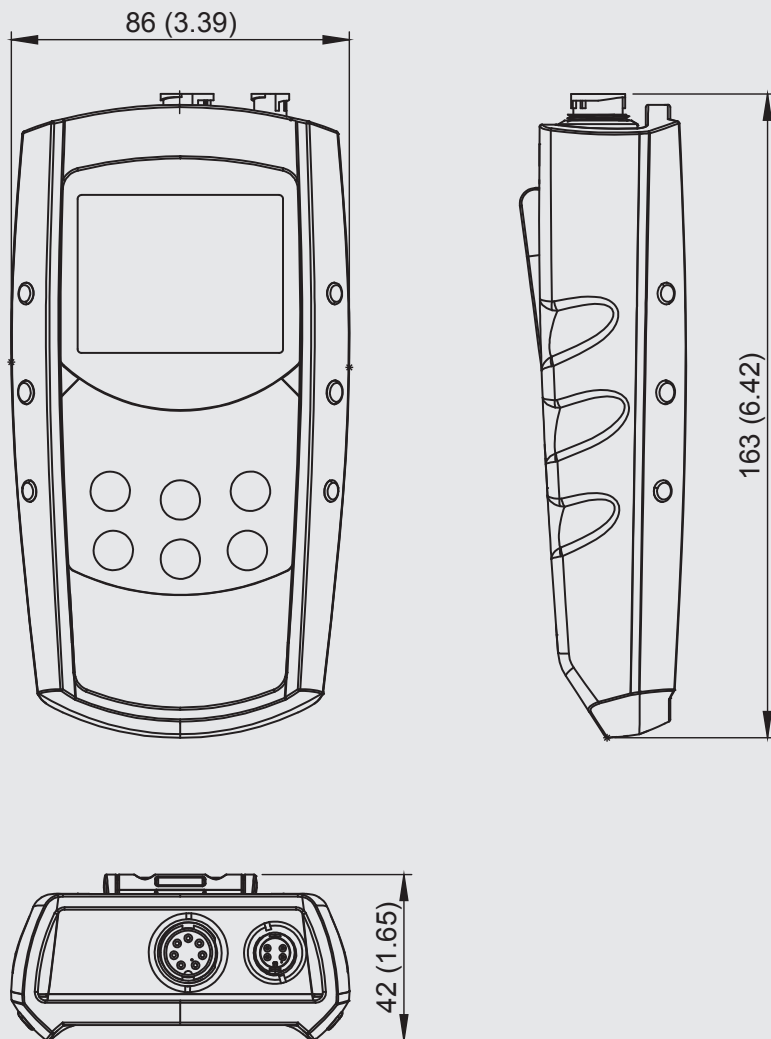
For further specifications see WIKA data sheet CT 12.01 and the order documentation.

9. Specifications

Dimensions in mm (in)

Digital indicator CPH6300-S1

EN

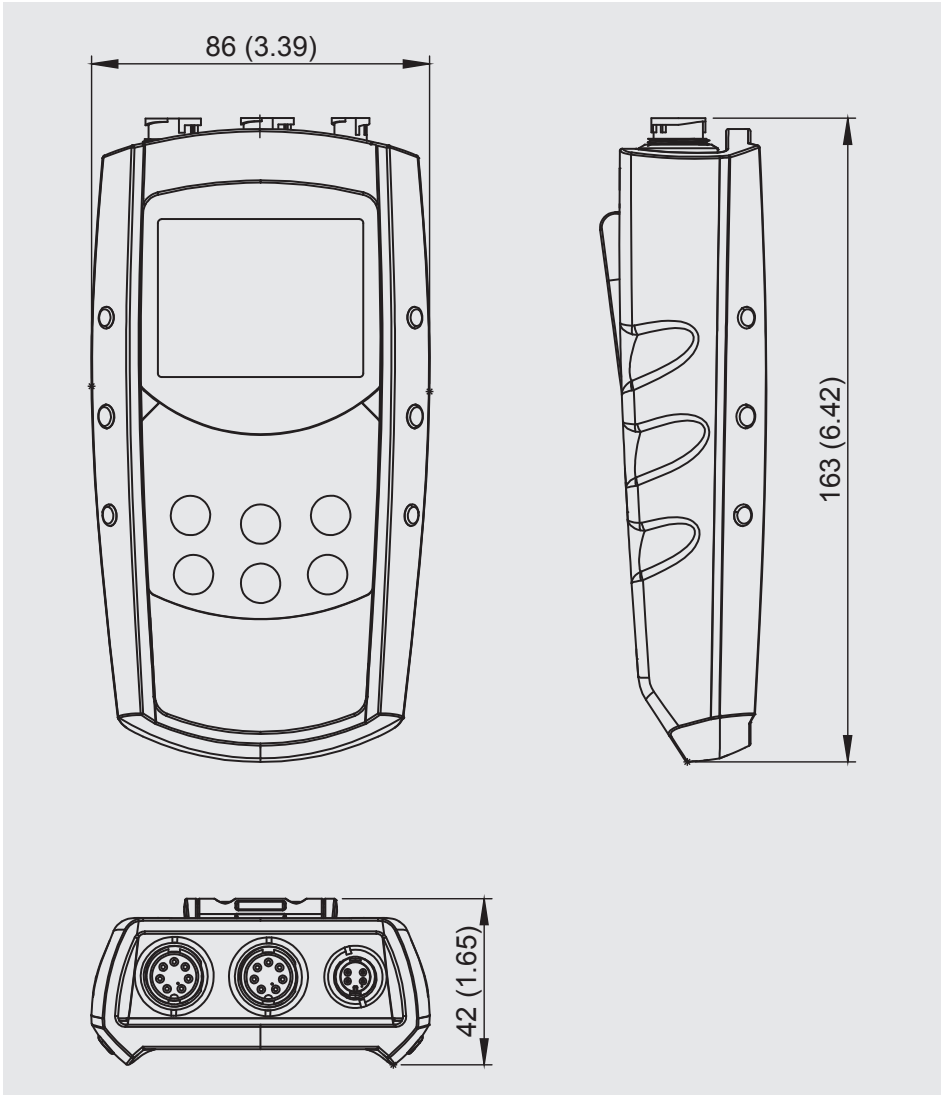


14043054.02 08/2017 EN/DE

9. Specifications

Digital indicator CPH6300-S2

EN

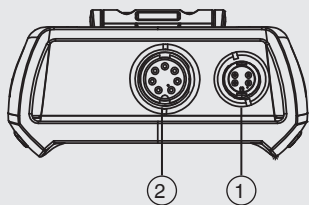


14043054.02 08/2017 EN/DE

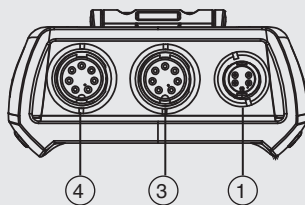
9. Specifications

Electrical connections

Model CPH6300-S1

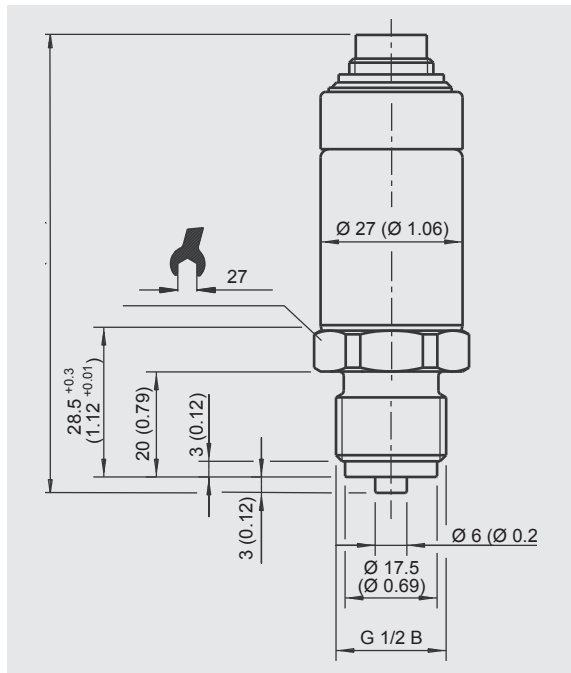


Model CPH6300-S2



- ① Interface connector
- ② Connection Channel 1 (only with CPH6300-S1)
- ③ Connection Channel 2 (only with CPH6300-S2)
- ④ Connection Channel 1 (only with CPH6300-S2)

Reference pressure sensor CPT6200



10. Accessories

10. Accessories

Accessories	Order code
2 AAA rechargeable batteries	CPH-A-63-ZAZZZZZZZZ-Z
2 AAA batteries	CPH-A-63-ZBZZZZZZZZ-Z
Charger for 9 V rechargeable battery and 2 rechargeable AAA batteries (Euro standard)	CPH-A-63-Z1ZZZZZZZZ-Z
Charger for 9 V rechargeable battery and 2 rechargeable AAA batteries (UK standard)	CPH-A-63-Z2ZZZZZZZZ-Z
Charger for 9 V rechargeable battery and 2 rechargeable AAA batteries (US standard)	CPH-A-63-Z3ZZZZZZZZ-Z
Sealing set, consisting of 4 x G ½ USIT seals, 2 x G ¼ USIT seals and plastic box	CPH-A-63-ZDZZZZZZZZ-Z
Sensor connection cable, approx. 1.1 m (3.3 ft)	CPH-A-63-ZSZZZZZZZZ-Z
Extension cable for connection of sensors, approx. 3.8 m (12.5 ft) to approx. 5 m (16.4 ft)	CPH-A-63-ZVZZZZZZZZ-Z
2 connection cable (2 m (6.6 ft)) with loose ends (sleeves) for connecting the configurable analogue output	CPH-A-63-ZEZZZZZZZZ-Z
USB interface cable	CPH-A-63-ZUZZZZZZZZ-Z
Gsoft data logger evaluation software	CPH-A-63-ZGZZZZZZZZ-Z
Plastic case for 1 x hand-held, 3 x pressure sensors, accessories	CPH-A-63-ZKZZZZZZZZ-Z
Plastic case for 1 x hand-held, 5 x pressure sensors, 1 x pneumatic hand test pump CPP7-H or CPP30, accessories	CPH-A-63-ZLZZZZZZZZ-Z
Plastic case for 1 x hand-held, 4 x pressure sensors, 1 x hydraulic hand test pump CPP700-H/ CPP1000-H, accessories	CPH-A-63-ZNZZZZZZZZ-Z

EN

WIKA accessories can be found online at www.wika.com.



EN

14043054.02 08/2017 EN/DE

Inhalt

1. Allgemeines	49
2. Kurzübersicht	50
2.1 Überblick	50
2.2 Beschreibung	50
2.3 Lieferumfang	51
3. Sicherheit	51
3.1 Symbolerklärung	51
3.2 Bestimmungsgemäße Verwendung	51
3.3 Fehlgebrauch	52
3.4 Personalqualifikation	52
3.5 Beschilderung, Sicherheitskennzeichnungen.	53
4. Transport, Verpackung und Lagerung	54
4.1 Transport	54
4.2 Verpackung und Lagerung	54
5. Inbetriebnahme, Betrieb	55
5.1 Bedienung	55
5.1.1 Anzeige	55
5.1.2 Bedienelemente	56
5.2 Inbetriebnahme	57
5.3 Konfiguration des Gerätes	57
5.4 Sonderfunktionen	64
5.4.1 Verschiedene Druckeinheiten	64
5.4.2 Verschiedene Messarten.	64
5.4.3 Höhenkorrektur bei Absolutdruck-Sensoren	65
5.4.4 Mittelwertbildung	65
5.4.5 Druckänderungsgeschwindigkeit (nur für Sensoranschluss 1)	66
5.5 Datenlogger	67
5.5.1 Manuelle Aufzeichnungen	68
5.5.2 Automatische Aufzeichnung mit einstellbarem Zyklus.	70
5.6 Universalausgang	73
5.6.1 USB-Schnittstelle	73
5.6.2 Analogausgang	73
5.7 Justieren des Gerätes	74
5.8 Druckanschluss an die Drucksensoren	74
5.9 Echtzeituhr	74
5.10 Alarm.	75

6. Störungen	75
7. Wartung, Reinigung und Rekalibrierung	77
7.1 Wartung77
7.2 Reinigung.79
7.3 Rekalibrierung79
8. Demontage, Rücksendung und Entsorgung	80
8.1 Demontage80
8.2 Rücksendung81
8.3 Entsorgung81
9. Technische Daten	82
10. Zubehör	89

DE

Konformitätserklärungen finden Sie online unter www.wika.de.

1. Allgemeines

- Das in der Betriebsanleitung beschriebene Hand-Held Druckmessgerät Typ CPH6300 nach dem aktuellen Stand der Technik gefertigt. Alle Komponenten unterliegen während der Fertigung strengen Qualitäts- und Umweltkriterien. Unsere Managementsysteme sind nach ISO 9001 und ISO 14001 zertifiziert.
- Diese Betriebsanleitung gibt wichtige Hinweise zum Umgang mit dem Gerät. Voraussetzung für sicheres Arbeiten ist die Einhaltung aller angegebenen Sicherheitshinweise und Handlungsanweisungen.
- Die für den Einsatzbereich des Gerätes geltenden örtlichen Unfallverhütungsvorschriften und allgemeinen Sicherheitsbestimmungen einhalten.
- Die Betriebsanleitung ist Produktbestandteil und muss in unmittelbarer Nähe des Gerätes für das Fachpersonal jederzeit zugänglich aufbewahrt werden. Betriebsanleitung an nachfolgende Benutzer oder Besitzer des Gerätes weitergeben.
- Das Fachpersonal muss die Betriebsanleitung vor Beginn aller Arbeiten sorgfältig durchgelesen und verstanden haben.
- Es gelten die allgemeinen Geschäftsbedingungen in den Verkaufsunterlagen.
- Technische Änderungen vorbehalten.
- Werkskalibrierungen / DKD/DAkkS-Kalibrierungen erfolgen nach internationalen Normen.
- Weitere Informationen:
 - Internet-Adresse: www.wika.de / www.wika.com
 - Zugehöriges Datenblatt: CT 12.01
 - Anwendungsberater: Tel.: +49 9372 132-9986
Fax: +49 9372 132-8767
testequip@wika.de

Abkürzungen, Definitionen

- „**XXX**“ Menü XXX wird aufgerufen
- [**XXX**] Taste XXX drücken

2. Kurzübersicht

2. Kurzübersicht

2.1 Überblick



- ① Sensoranschlusskabel
- ② Druckanschluss Kanal 1
- ③ Druckanschluss Kanal 2
- ④ Schnittstellenanschluss
- ⑤ Anzeige
- ⑥ Bedienelemente
- ⑦ Referenz-Drucksensor Typ CPT6200

2.2 Beschreibung

Das Hand-Held Druckmessgerät Typ CPH6300 ist durch sein robustes und wasserdichtes Design sehr gut zum Einsatz unter widrigsten Bedingungen geeignet. Durch die hohe Genauigkeit der Sensorik kann das CPH6300 sowohl zur genauen Druckmessung als auch zur Kalibrierung verwendet werden.

2.3 Lieferumfang

- Hand-Held Druckmessgerät Typ CPH6300 inkl. 2 AAA-Batterien
- Ein Sensoranschlusskabel pro Kanal
- Kalibrierzertifikat 3.1 nach DIN EN 10204 für Sensorik
- Sensorik nach Wahl

Lieferumfang mit dem Lieferschein abgleichen.

3. Sicherheit

3.1 Symbolerklärung



WARNUNG!

... weist auf eine möglicherweise gefährliche Situation hin, die zum Tod oder zu schweren Verletzungen führen kann, wenn sie nicht gemieden wird.



VORSICHT!

... weist auf eine möglicherweise gefährliche Situation hin, die zu geringfügigen oder leichten Verletzungen bzw. Sach- und Umweltschäden führen kann, wenn sie nicht gemieden wird.



Information

... hebt nützliche Tipps und Empfehlungen sowie Informationen für einen effizienten und störungsfreien Betrieb hervor.

3.2 Bestimmungsgemäße Verwendung

Dieses Hand-Held Druckmessgerät CPH6300 kann als Kalibriergerät sowie für jede Anwendung, bei der eine hochgenaue Druckmessung erforderlich ist, verwendet werden.

Dieses Gerät ist nicht für den Einsatz in explosionsgefährdeten Bereichen zugelassen!

Das Gerät ist ausschließlich für den hier beschriebenen bestimmungsgemäßen Verwendungszweck konzipiert und konstruiert und darf nur dementsprechend verwendet werden.

Die technischen Spezifikationen in dieser Betriebsanleitung sind einzuhalten. Eine unsachgemäße Handhabung oder ein Betreiben des Gerätes außerhalb der technischen Spezifikationen macht die sofortige Stilllegung und Überprüfung durch einen autorisierten WIKA-Service Mitarbeiter erforderlich.

3. Sicherheit

Elektronische Präzisionsmessgeräte mit erforderlicher Sorgfalt behandeln (vor Nässe, Stößen, starken Magnetfeldern, statischer Elektrizität und extremen Temperaturen schützen, keine Gegenstände in das Gerät bzw. Öffnungen einführen). Stecker und Buchsen vor Verschmutzung schützen.

DE

Ansprüche jeglicher Art aufgrund von nicht bestimmungsgemäßer Verwendung sind ausgeschlossen.

3.3 Fehlgebrauch



WARNUNG!

Verletzungen durch Fehlgebrauch

Fehlgebrauch des Gerätes kann zu gefährlichen Situationen und Verletzungen führen.

- ▶ Eigenmächtige Umbauten am Gerät unterlassen.
- ▶ Gerät nicht in explosionsgefährdeten Bereichen einsetzen.
- ▶ Gerät nicht für abrasive und viskose Messstoffe verwenden.
- ▶ Betriebsparameter gemäß Kapitel 9 „Technische Daten“ beachten.
- ▶ Gerät immer innerhalb des Überlastgrenzbereiches betreiben.

Jede über die bestimmungsgemäße Verwendung hinausgehende oder andersartige Benutzung gilt als Fehlgebrauch.

3.4 Personalqualifikation



WARNUNG!

Verletzungsgefahr bei unzureichender Qualifikation

Unsachgemäßer Umgang kann zu erheblichen Personen- und Sachschäden führen.

- ▶ Die in dieser Betriebsanleitung beschriebenen Tätigkeiten nur durch Fachpersonal nachfolgend beschriebener Qualifikation durchführen lassen.

Fachpersonal

Das vom Betreiber autorisierte Fachpersonal ist aufgrund seiner fachlichen Ausbildung, seiner Kenntnisse der Mess- und Regelungstechnik und seiner Erfahrungen sowie Kenntnis der landesspezifischen Vorschriften, geltenden Normen und Richtlinien in der Lage, die beschriebenen Arbeiten auszuführen und mögliche Gefahren selbstständig zu erkennen.

3. Sicherheit

Spezielle Einsatzbedingungen verlangen weiteres entsprechendes Wissen, z. B. über aggressive Medien.

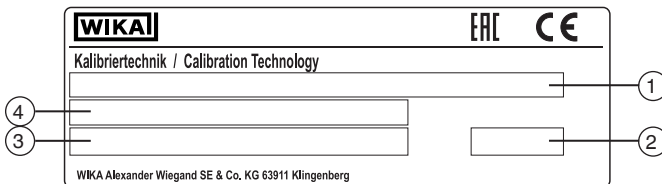
3.5 Beschilderung, Sicherheitskennzeichnungen

Typenschild für Typ CPH6300-S1 oder CPH6300-S2 (Beispiel)



DE

Typenschild für Typ CPT6200 (Beispiel)



- ① Produktname
- ② Herstellungsdatum (Monat-Jahr)
- ③ Seriennummer und Artikelnummer
- ④ Druckmessbereich und Genauigkeit

Symbole



Vor Montage und Inbetriebnahme des Gerätes unbedingt die Betriebsanleitung lesen!

3. Sicherheit / 4. Transport, Verpackung und Lagerung



Bei Geräten mit dieser Kennzeichnung wird darauf hingewiesen, dass diese nicht in den Hausmüll entsorgt werden dürfen. Die Entsorgung erfolgt durch Rücknahme bzw. durch entsprechende kommunale Stellen.

DE

4. Transport, Verpackung und Lagerung

4.1 Transport

Das Hand-Held Druckmessgerät Typ CPH6300 und den Referenz-Drucksensor Typ CPT6200 auf eventuell vorhandene Transportschäden untersuchen. Offensichtliche Schäden unverzüglich mitteilen.



VORSICHT!

Beschädigungen durch unsachgemäßen Transport

Bei unsachgemäßem Transport können Sachschäden in erheblicher Höhe entstehen.

- ▶ Beim Abladen der Packstücke bei Anlieferung sowie innerbetrieblichem Transport vorsichtig vorgehen und die Symbole auf der Verpackung beachten.
- ▶ Bei innerbetrieblichem Transport die Hinweise unter Kapitel 4.2 „Verpackung und Lagerung“ beachten.

Wird das Gerät von einer kalten in eine warme Umgebung transportiert, so kann durch Kondensatbildung eine Störung der Gerätefunktion eintreten. Vor einer erneuten Inbetriebnahme die Angleichung der Gerätetemperatur an die Raumtemperatur abwarten.

4.2 Verpackung und Lagerung

Verpackung erst unmittelbar vor der Montage entfernen.

Die Verpackung aufbewahren, denn diese bietet bei einem Transport einen optimalen Schutz (z. B. wechselnder Einbauort, Reparatursendung).

Zulässige Bedingungen am Lagerort:

- Lagertemperatur: -25 ... +70 °C (-13 ... +158 °F)
- Feuchtigkeit: 0 ... 95 % relative Feuchte (nicht kondensierend)

Folgende Einflüsse vermeiden:

- Direktes Sonnenlicht oder Nähe zu heißen Gegenständen
- Mechanische Vibration, mechanischer Schock (hartes Aufstellen)

4. Transport, Verpackung und Lagerung

- Ruß, Dampf, Staub und korrosive Gase
- Explosionsgefährdete Umgebung, entzündliche Atmosphären

Das Gerät in der Originalverpackung an einem Ort, der die oben gelisteten Bedingungen erfüllt, lagern. Wenn die Originalverpackung nicht vorhanden ist, dann das Gerät wie folgt verpacken und lagern:

1. Das Gerät in eine antistatische Plastikfolie einhüllen.
2. Das Gerät mit dem Dämmmaterial in der Verpackung platzieren.
3. Bei längerer Einlagerung (mehr als 30 Tage) einen Beutel mit Trocknungsmittel der Verpackung beilegen.

DE

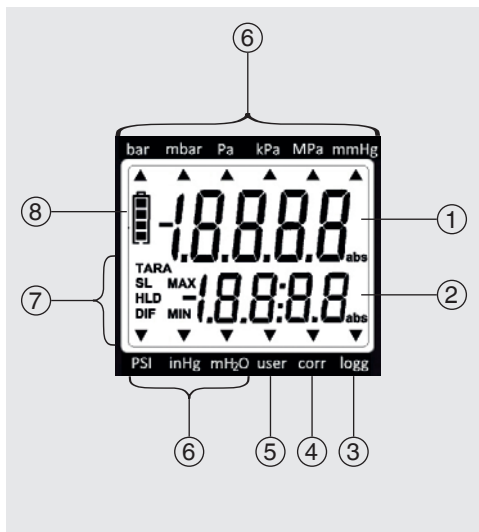
5. Inbetriebnahme, Betrieb

Personal: Fachpersonal

Nur Originalteile verwenden (siehe Kapitel 10 „Zubehör“).

5.1 Bedienung

5.1.1 Anzeige

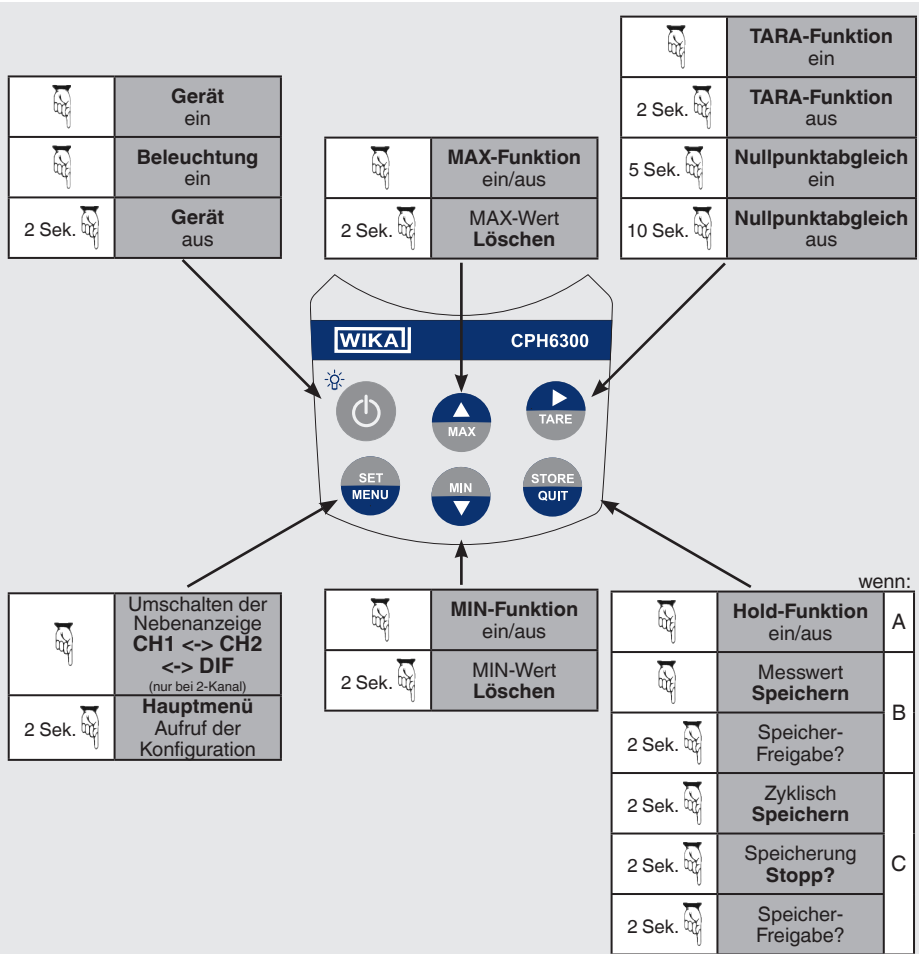


- ① **Hauptanzeige:** aktueller Messwert von Sensor 1
- ② **Nebenanzeige:** aktueller Messwert von Sensor 2 oder Differenzwert zwischen Sensor 1 und Sensor 2
- ③ **logg-Pfeil:** Logger ist bereit
Pfeil blinkt: automatische Aufzeichnung (Logg CYCL) aktiv
- ④ **corr-Pfeil:** Nullpunkt- oder Steigungskorrektur wurde vorgenommen
- ⑤ **user-Pfeil:** Messwert wird in der frei konfigurierbaren User-Einheit angegeben
- ⑥ Anzeigepfeile für **Messwerteinheiten**
- ⑦ Anzeigeelemente zur Darstellung des Min-/Max-Messwertes sowie der Tara-Funktion und Sealevel-Korrektur
- ⑧ Batteriestandsanzeige

5. Inbetriebnahme, Betrieb

5.1.2 Bedienelemente

DE



A = Loggerfunktionen deaktiviert
 B = Loggerfunktion „Messwert speichern“ via Menü aktiviert
 C = Loggerfunktion „Zyklisch speichern“ via Menü aktiviert

= Taste drücken
 2 Sek. = Taste für 2 Sekunden gedrückt halten
 Ausführliche Hinweise: siehe Betriebsanleitung

5. Inbetriebnahme, Betrieb

5.2 Inbetriebnahme

1. Sensoren verbinden und Gerät mit der Taste **[EIN/AUS]** einschalten.
⇒ Nach dem Segmenttest zeigt das Gerät kurz Informationen zu seiner Konfiguration an:

- rAEE SLo* Die Standardmessung ist eingestellt.
- rAEE FASt* Die schnelle Messung ist eingestellt.
- rAEE P.dEEt* Die Spitzenwertdetektion ist eingestellt.

Danach ist das Gerät bereit zur Messung.

5.3 Konfiguration des Gerätes



Einige Menüpunkte sind abhängig von der aktuellen Geräteeinstellung zugänglich (z. B. sind einige Menüpunkte gesperrt, wenn der Logger Daten enthält).

1. Zum Konfigurieren Taste **[SET/MENU]** 2 Sekunden lang drücken.
⇒ Das Menü (Hauptanzeige *SEt*) wird aufgerufen.
2. Mit Taste **[SET/MENU]** gewünschten Menüzweig wählen.
3. Mit Taste **[▶]** Parameter wählen.
4. Mit den Tasten **[▲]** oder **[▼]** Parameter verändern.
5. Mit Taste **[▶]** Weiterschalten der Parameter.
6. Taste **[SET/MENU]** drücken.
⇒ Wechselt zurück zum Hauptmenü und speichert die Einstellungen.
7. Mit **[STORE/QUIT]** wird die Konfiguration beendet.



Werden die Tasten **[SET/MENU]** und **[STORE/QUIT]** gemeinsam länger als 2 Sekunden gedrückt, werden die Werkseinstellungen wiederhergestellt.

Befinden sich Daten im Einzelwertlogger (Logger: *Func Stor*) wird als erstes Menü *rEAd LoBB* angezeigt: siehe auch Kapitel 5.5 „Datenlogger“.

Wird länger als 2 Minuten keine Taste gedrückt, wird die Konfiguration abgebrochen. Bis dahin gemachte Änderungen werden nicht gespeichert!

5. Inbetriebnahme, Betrieb

Menü	Parameter	Werte	Bedeutung		
„MENU“	▶	▲ bzw. ▼			
SET CONF	Set Configuration: Allgemeine Einstellungen				
	Unit: Auswahl der Messeinheit			1) 2)	
	Unit	Pfeile auf bar, mbar, ...	Messwert wird in der jeweiligen Einheit angegeben, die wählbaren Einheiten sind abhängig von den Sensoren.		
		Pfeil auf „user“	Messwert wird in der frei konfigurierbaren User-Einheit angegeben: lineare Umrechnung		
	base	bar, mbar	Unit „user“: Basiseinheit		
	dP	0000, 000.00000	Unit „user“: Dezimalpunkt des Multiplikationsfaktors		
	FACT	-19999 ... 19999	Unit „user“: Multiplikationsfaktor		
	Sea Level: Meereshöhen-Korrektur			1) 2)	
	SL	oFF	Meereshöhen-Korrektur aus		
		oN	Meereshöhen-Korrektur an (siehe Kapitel 5.4.3 „Höhenkorrektur bei Absolutdruck-Sensoren“).		
	ALT	-2000 ... 9999	Meereshöhen-Korrektur in [m] (nur wenn Sensor 1 SL = oN)		
	RATE	Rate: Messgeschwindigkeit			1)
		Slo	Slow: langsame Messung (4 Hz gefiltert, geringer Stromverbrauch)		
		FASt	Fast: schnelle Messung, gefiltert (1.000 Hz)		
		P.dEt	Peak detection: schnelle Messung, ungefiltert (1.000 Hz)		
E.AVG	Mittelwertbildung			1)	
	1 ... 120	Zeit in Sekunden, über der die Mittelwertbildung errechnet wird.			
	oFF	Mittelwertbildung deaktiviert			

- 1) Menü kann nicht aufgerufen werden, wenn sich Daten im Loggerspeicher befinden. Soll es verändert werden, müssen zunächst die Daten gelöscht werden (siehe Kapitel 5.5 „Datenlogger“).
- 2) Menü kann nur aufgerufen werden, wenn ein entsprechender Sensor an Anschluss 1 angesteckt ist. Bei einem zweiten entsprechenden Sensor an Anschluss 2 werden die Einstellungen übernommen.
- 3) Nur bei 2-Kanal-Version

5. Inbetriebnahme, Betrieb

DE

Menü	Parameter	Werte	Bedeutung
„MENU“	▶	▲ bzw. ▼	
	<i>P.off</i>	Auto Power-Off: Automatische Geräteabschaltung	
		1 ... 120	Abschaltverzögerung in Minuten. Wird keine Taste gedrückt und findet kein Datenverkehr über die Schnittstelle statt, schaltet sich das Gerät nach Ablauf dieser Zeit automatisch ab.
		oFF	Automatische Abschaltung deaktiviert (Dauerbetrieb)
	<i>L.tE</i>	Hintergrundbeleuchtung (Werkseinstellung: 5 s)	
		oFF	Keine Beleuchtung
		5 ... 120	Beleuchtung nach 5 ... 120 s automatisch abschalten.
		on	Beleuchtung schaltet nicht ab
<i>SEt</i>		Set Calculation: Berechnete Anzeigen (abgeleitet von Sensor 1)	1)
<i>CALC</i>	<i>CALC</i>	Auswahl der Berechnungsfunktion	
		oFF	Keine berechnete Anzeige
		dP:dt	Druckänderungsgeschwindigkeit
		SPEd	Luftgeschwindigkeit über Blende/Staurohr
		FLo	Durchfluss / Volumenstrom
		„dP:dt“: Einstellungen	
	<i>bASE</i>	Zeiteinheit der Druckänderungsgeschwindigkeit	
		PEr.S	Druckänderung pro Sekunde, z. B. mbar/s
		PEr.n	Druckänderung pro Minute, z. B. mbar/min
		PEr.h	Druckänderung pro Stunde, z. B. mbar/h
	<i>t.int</i>	Testdauer, für welche die Druckänderungsanzeige berechnet wird	
		0:01 ... 1:00	Dauer in [Minuten: Sekunden], Werkseinstellung: 0:01 = 1 s

- 1) Menü kann nicht aufgerufen werden, wenn sich Daten im Loggerspeicher befinden. Soll es verändert werden, müssen zunächst die Daten gelöscht werden (siehe Kapitel 5.5 „Datenlogger“).
- 2) Menü kann nur aufgerufen werden, wenn ein entsprechender Sensor an Anschluss 1 angeschlossen ist. Bei einem zweiten entsprechenden Sensor an Anschluss 2 werden die Einstellungen übernommen.
- 3) Nur bei 2-Kanal-Version

5. Inbetriebnahme, Betrieb

Menü	Parameter	Werte	Bedeutung
„MENU“	▶	▲ bzw. ▼	
		„SPEd“ oder „FLO“: Einstellungen	
	<i>Unit</i>	SPEd: Luftgeschwindigkeits-Einheit	
	<i>n:S</i>		Meter pro Sekunde, m/s
	<i>kn:h</i>		Kilometer pro Stunde, km/h
	<i>nPh</i>		Meilen pro Stunde, mph
	<i>knot</i>		Knoten
		FLO: Volumenstrom- oder Durchfluss-Einheit	
	<i>n3:s</i>		Kubikmeter pro Sekunde, m ³ /s
	<i>n3:n</i>		Kubikmeter pro Minute, m ³ /min
	<i>n3:h</i>		Kubikmeter pro Stunde, m ³ /h
	<i>L:S</i>		Liter pro Sekunde, l/s
	<i>L:n</i>		Liter pro Minute, l/min
	<i>R</i>	FLO: Durchfluss /Volumenstrom-Anzeige Rohrquerschnitt	
		10.0 ... 1999.9, 2000 ... 14000	Kanal-Querschnittsfläche in cm ²
	<i>t</i>	-100.0 ... 1000.0 °C	Luftströmungstemperatur
	<i>P,ABS</i>	100.0 ... 1999.9 mbar	Umgebungsdruck
	<i>dP</i>	0000, 000.0, 00.00	Dezimalpunkt-Einstellung
	<i>Stret</i>	oFF, 1 ... 1000	Mindestanzeige, darunter wird Anzeige 0 erzwungen.
<i>SET OUT</i>	Set Output: Einstellungen für universellen Ausgang		
	<i>OUT</i>	oFF	Schnittstelle und Analogausgang deaktiviert
		SEr	Serielle Schnittstelle aktiviert
		dAC	Analogausgang aktiviert
	<i>Adr.</i>	01,11 ... 91	Basisadresse des Geräts für serielle Schnittstellenkommunikation (nur bei <i>OUT</i> = <i>SEr</i>).
	<i>dAC</i>	CH 1, CH 2 oder DIF CH	Messeingang, der für die Analogausgabe verwendet werden soll (nur bei <i>OUT</i> = <i>dAC</i>). ³⁾

- 1) Menü kann nicht aufgerufen werden, wenn sich Daten im Loggerspeicher befinden. Soll es verändert werden, müssen zunächst die Daten gelöscht werden (siehe Kapitel 5.5 „Datenlogger“).
- 2) Menü kann nur aufgerufen werden, wenn ein entsprechender Sensor an Anschluss 1 angesteckt ist. Bei einem zweiten entsprechenden Sensor an Anschluss 2 werden die Einstellungen übernommen.
- 3) Nur bei 2-Kanal-Version

5. Inbetriebnahme, Betrieb

DE

Menü	Parameter	Werte	Bedeutung
„MENU“	▶	▲ bzw. ▼	
	<i>dARC.0</i>	sensorabhängig z. B. -5.00 ... 5.00 mbar	Nullpunkteinstellung bei $OUT = dARC$: Eingabe des Messwertes bei dem der Analogausgang 0 V ausgehen soll.
	<i>dARC.1</i>	sensorabhängig z. B. -5.00 ... 5.00 mbar	Steigungseinstellung bei $OUT = dARC$: Eingabe der Messwertes bei dem der Analogausgang 1 V ausgehen soll.
SEt	Set Corr: Justierung der Messungen (1-Kanal-Version)		
<i>Corr</i>	<i>OFF5</i>	Nullpunktkorrektur/Offset des Sensors	
	oFF	Keine Nullpunktkorrektur des Sensors.	
	sensorabhängig z. B. -5.00 ... 5.00 mbar	Der Nullpunkt des Sensors 1 wird um diesen Wert verschoben, so können Fühler- und Messgeräte-Abweichungen ausgeglichen werden.	
	<i>SCAL</i>	Steigungskorrektur des Sensors	
	oFF	Keine Steigungskorrektur des Sensors.	
	-2.000 ... 2.000	Die Messsteigung wird um diesen Faktor [%] verändert, so können Fühler-/Messgeräte-Abweichungen ausgeglichen werden.	
SEt	Set Corr: Justierung der Messungen (2-Kanal-Version)		
<i>Corr</i>	<i>OFF1</i>	Nullpunktkorrektur/Offset des Sensors 1	
	oFF	Keine Nullpunktkorrektur des Sensors 1.	
	sensorabhängig z. B. -5.00 ... 5.00 mbar	Der Nullpunkt des Sensors 1 wird um diesen Wert verschoben, so können Fühler-/Messgeräte-Abweichungen ausgeglichen werden.	
	<i>SCL1</i>	Steigungskorrektur des Sensors 1	
	oFF	Keine Steigungskorrektur des Sensors 1	
	-2.000 ... 2.000	Die Mess-Steigung wird um diesen Faktor [%] verändert, so können Fühler- / Messgeräte-Abweichungen ausgeglichen werden.	
	<i>OFF2</i>	Nullpunktkorrektur/Offset des Sensors 2	
	oFF	Keine Nullpunktkorrektur des Sensors 2	
	sensorabhängig z. B. -5.00 ... 5.00 mbar	Der Nullpunkt des Sensors 2 wird um diesen Wert verschoben, so können Fühler- und Messgeräte-Abweichungen ausgeglichen werden.	

- 1) Menü kann nicht aufgerufen werden, wenn sich Daten im Loggerspeicher befinden. Soll es verändert werden, müssen zunächst die Daten gelöscht werden (siehe Kapitel 5.5 „Datenlogger“).
- 2) Menü kann nur aufgerufen werden, wenn ein entsprechender Sensor an Anschluss 1 angesteckt ist. Bei einem zweiten entsprechenden Sensor an Anschluss 2 werden die Einstellungen übernommen.
- 3) Nur bei 2-Kanal-Version

5. Inbetriebnahme, Betrieb

Menü	Parameter	Werte	Bedeutung
„MENU“	▶	▲ bzw. ▼	
	<i>SCL.2</i>	Steigungskorrektur des Sensors 2	
		oFF	Keine Steigungskorrektur des Sensors 2
		-2.000 ... 2.000	Die Messsteigung wird um diesen Faktor [%] verändert, so können Fühler- und Messgeräte-Abweichungen ausgeglichen werden.
SEt	Set Alarm: Einstellung der Alarmfunktion		
<i>AL. 1</i>	On/No.So		Alarm Sensor 1 an, mit Hupe/ohne Hupe
	OFF		Keine Alarmfunktion für Sensor 1
<i>AL.Lo/1</i>	Sensor1-Min ... AL.1-Hi		Min-Alarm-Grenze Sensor 1 (nicht wenn <i>AL.1 = oFF</i>) Sensor1-Min ist die untere Anzeigebereichsgrenze des Sensors 1.
<i>AL.H/1</i>	AL.1-Lo ... Sensor1-Max		Max-Alarm-Grenze Sensor 1 (nicht wenn <i>AL.1 = oFF</i>) Sensor1-Max ist die obere Anzeigebereichsgrenze des Sensors 1
<i>AL. 2</i>	On/No.So		Alarm Sensor 2 an, mit Hupe/ohne Hupe
	OFF		Keine Alarmfunktion für Sensor 2
<i>AL.Lo/2</i>	Sensor2-Min ... AL.2-Hi		Min-Alarm-Grenze Sensor 2 (nicht wenn <i>AL.2 = oFF</i>) Sensor1-Min ist die untere Anzeigebereichsgrenze des Sensors 2
<i>AL.H/2</i>	AL.2-Lo ... Sensor2-Max		Max-Alarm-Grenze Sensor 2 (nicht wenn <i>AL.2 = oFF</i>) Sensor1-Max ist die obere Anzeigebereichsgrenze des Sensors 2
<i>AL. DIF</i>	On/No.So		Alarm an, mit/ohne Hupe (1 Kanal-Ausführung) bzw. Alarm Sensordifferenz an, mit/ohne Hupe (2-Kanal-Ausführung.)
	OFF		keine Alarmfunktion (1 Kanal-Ausführung) bzw. keine Alarmfunktion für Sensordifferenz (2-Kanal-Ausführung.)
<i>AL.Lo DIF</i>	-19999... AL.DIF-Hi		Min-Alarm-Grenze Differenz (nicht wenn <i>AL.d iFF = oFF</i>)
	Sensor-Min ... AL.Hi		Min-Alarm-Grenze Sensor (nicht wenn <i>AL. = oFF</i>) Sensor-Min ist die untere Anzeigebereichsgrenze des Sensors

- 1) Menü kann nicht aufgerufen werden, wenn sich Daten im Loggerspeicher befinden. Soll es verändert werden, müssen zunächst die Daten gelöscht werden (siehe Kapitel 5.5 „Datenlogger“).
- 2) Menü kann nur aufgerufen werden, wenn ein entsprechender Sensor an Anschluss 1 angesteckt ist. Bei einen zweiten entsprechendem Sensor an Anschluss 2 werden die Einstellungen übernommen.
- 3) Nur bei 2-Kanal-Version

5. Inbetriebnahme, Betrieb

Menü	Parameter	Werte	Bedeutung	
„MENU“	▶	▲ bzw. ▼		
	<i>AL.H</i> , DIF	AL.DIF-Lo... 19999	Max-Alarm-Grenze Differenz (nicht wenn <i>AL.d iFF = oFF</i>)	3)
		AL.Lo ... Sensor-Max	Max-Alarm-Grenze Sensor (nicht wenn <i>AL. = oFF</i>) Sensor-Max ist	
SEt	Set Logger: Einstellung der Loggerfunktion			1)
LoGg	Auswahl der Loggerfunktion			1)
	<i>Func</i>	CYCL	Cyclic: Loggerfunktion zyklischer Logger	
		Stor	Store: Loggerfunktion Einzelwertlogger	
		oFF	Keine Loggerfunktion	
	<i>CYCL</i>	0:01 ... 60:00	Zykluszeit in [Minuten:Sekunden] bei zyklischem Logger	1)
	<i>Lo.Po</i>	on/oFF	Low-Power-Logger mit geringer Stromaufnahme (nur bei zyklischem Logger und langsamer Messung)	1)
SEt	Set Clock: Einstellen der Echtzeituhr			
CLOC	<i>CLOC</i>	HH:MM	Clock: Einstellen der Uhrzeit Stunden:Minuten	
	<i>YEAR</i>	YYYY	Year: Einstellen der Jahreszahl	
	<i>DATE</i>	TT.MM	Date: Einstellen des Datums Tag.Monat	
rEAd	rEAd Logg: Lesen der Einzel-Loggerdaten			
LoGg			Siehe Kapitel 5.5.1 „Manuelle Aufzeichnungen“	

DE

- 1) Menü kann nicht aufgerufen werden, wenn sich Daten im Loggerspeicher befinden. Soll es verändert werden, müssen zunächst die Daten gelöscht werden (siehe Kapitel 5.5 „Datenlogger“).
- 2) Menü kann nur aufgerufen werden, wenn ein entsprechender Sensor an Anschluss 1 angeschlossen ist. Bei einem zweiten entsprechenden Sensor an Anschluss 2 werden die Einstellungen übernommen.
- 3) Nur bei 2-Kanal-Version

5. Inbetriebnahme, Betrieb

5.4 Sonderfunktionen

5.4.1 Verschiedene Druckeinheiten

Abhängig von den angesteckten Sensoren können im „MENU (Unit)“ unterschiedliche Einheiten ausgewählt werden. Je nach Messbereich kann die Auswahl eingeschränkt sein!

DE

User-Einheit

Für Einheiten, die nicht über die am Display aufgedruckten Einheiten abgedeckt werden, kann über die User-Einheit eine manuelle Einstellung vorgenommen werden.

Beispiel:

Damit ein Referenz-Drucksensor CPT6200 die Einheit kg/cm^2 anzeigen kann, muss eingestellt werden:

	kg/cm^2	Torr	atm	at
<i>bPSE</i> user	bar	mbar	bar	bar
<i>dP</i> user	.0000	.0000	.0000	.0000
<i>FRCt</i> user	1.0197	.7433	.9869	1.0197

5.4.2 Verschiedene Messarten

Das Gerät unterstützt 3 verschiedene Messarten für verschiedene Anwendungszwecke. Zwei davon *P.dEt* und *FpSE* arbeiten mit einer erhöhten Messfrequenz von > 1.000 Messungen/s.

5.4.2.1 Standardmessung (slow)

rAtE *SL0* **Messfrequenz 4 Hz, Mittelungsverfahren und Messfilter sind aktiv.**
Anwendungsbereich:

Messen von langsamen Druckänderungen und statischen Drücken, z. B. Dichtigkeitsprüfungen, Luftdruckmessungen u.ä.
Höchste Messgenauigkeit, störungsunempfindlich, niedriger Stromverbrauch.

5.4.2.2 Spitzenwerterfassung (Peak detection)

rAtE *P.dEt* Messfrequenz > 1.000 Hz; das Messsignal wird ungefiltert wiedergegeben.

Anwendungsbereich in Verbindung mit Logger-Funktion:

Messen von Druckspitzen und schnellen Druckschwankungen mit einer Auflösung < 1 ms. Bei zyklischer Loggerfunktion werden jeweils der arithmetische Mittelwert, der höchste und der niedrigste Druck des Intervalls aufgezeichnet.



Diese Messung ist störungsempfindlich (auch gegenüber elektromagnetischen Störungen) und der Stromverbrauch ist erhöht.

5.4.2.3 Schnelle Messung (fast)

$rAEE$ $FAST$ Messfrequenz > 1.000 Hz; das Messsignal wird gefiltert wiedergegeben (weniger störungsempfindlich, kurze Spitzen werden herausgefiltert), ansonsten identisch zu $rAEE$ $P.dEE$.

DE

5.4.3 Höhenkorrektur bei Absolutdruck-Sensoren

Das CPH6300 misst den Absolutdruck der Umgebungsluft. Dieser ist jedoch nicht mit dem von Wetterstationen angegebenen „Luftdruck auf Meereshöhe“ zu verwechseln! Bei dieser Druckangabe wird die höhenbedingte Luftdruckabnahme herausgerechnet.

Das Gerät ist in der Lage diese Luftdruck-Höhenkorrektur vorzunehmen.

1. Hierzu die „**Sea-Level-Funktion**“ aktivieren (siehe Kapitel 5.3 „Konfiguration des Gerätes“).
⇒ Die Einstellung ist nur möglich, wenn ein Absolutdrucksensor an Sensorbuchse 1 angeschlossen ist.
2. Die Höhe über dem Meeresspiegel in Meter eingeben (siehe Kapitel 5.3 „Konfiguration des Gerätes“).
⇒ Bei aktivierter Sea-Level-Funktion wird in der Anzeige SL angezeigt.
3. Wurde die Höhe des Aufenthaltsortes über dem Meeresspiegel eingegeben, zeigt das Gerät jetzt den Absolutdruck auf Meereshöhe an.



Bei 2 angesteckten Absolutdrucksensoren wird die Sea-Level-Funktion für beide Sensoren entsprechend der Einstellung von Sensor 1 durchgeführt (Betrifft nur die 2-Kanal-Version).

5.4.4 Mittelwertbildung



Die Mittelwertbildung bezieht sich auf die Anzeigewerte (Display und Schnittstelle). Sie ist komplett unabhängig von der Mittelwertbildung der Loggerfunktion bei $FAST$ und $P.dEE$.

Die Mittelwertbildung integriert über eine einstellbare Zeit sämtliche Messwerte und errechnet dann den resultierenden gemittelten Anzeigewert. Die Funktion ist unabhängig von der Messart (schnelle/langsame Messung).

5. Inbetriebnahme, Betrieb

Solange noch nicht eine ausreichend lange eingestellte Zeit (in Sekunden) gemessen wurde um den Mittelwert errechnen zu können, wird in der Anzeige `----` angezeigt, in der unteren Anzeige erscheint ein ‚Countdown‘.

Während des Low-Power-Loggerbetriebes ist die Mittelwertbildung immer deaktiviert.

DE

Funktion des Min-/Max-Wertspeichers in Kombination mit der Mittelwertbildung:

- Ist die Mittelwertbildung aktiviert, und die Messfunktion langsame Messung `rALE SL0` gewählt, so bezieht sich der Min-/Max-Wertspeicher auf die gemittelten Anzeigewerte.
- Ist die Mittelwertbildung aktiviert, und eine schnelle Messfunktion `rALE FAST` oder `P.dEE` gewählt, so bezieht sich der Min-/Max-Wertspeicher auf die intern gemessenen Werte (> 1.000 Hz Messfrequenz).

5.4.5 Druckänderungsgeschwindigkeit (nur für Sensoranschluss 1)

Mit der `ALC`-Funktion `dPdE` können Druckänderungen pro Zeit direkt angezeigt werden. Die zugrundeliegenden Messintervalle `t.inE` können dabei frei gewählt werden. Das Gerät speichert automatisch Druckwerte über diesen Zeitraum und berechnet mit dem aktuellen Messwert und den historischen Daten im Speicher die Druckänderungsgeschwindigkeit (Druckänderung/Zeit).

Taste [TARE]: Die historischen Daten werden gelöscht, Berechnung beginnt von neuem.

Beispiel:

Dichtheitsprüfung für Abwasserkanäle mit Kriterium weniger als -3 mbar/min über eine Testdauer 5 min bei einem Prüfdruck von 250 mbar.

Ausrüstung/Voreinstellung:

- Dichtblase (Absperrentil) und Druckpumpe
- Sensor: CPT6200 (Messbereich 0 ... 1 bar)
- `bASE = PEt.in` (Minuten) Zeiteinheit der Druckänderungsanzeige
- `t.inE = 1:00` (1 Minuten) Testdauer, für welche die Druckänderungsanzeige berechnet wird
- Logger: `LYL`, 5 Sekunden

Durchführung:

1. Komponenten anschließen, notwendige Abdichtungen vornehmen.
2. Logger starten.
3. Druck beaufschlagen, ausreichende Zeit abwarten.
4. Berechnung neu starten mit Taste **[TARE]**.
⇒ Aktueller Druckwert wird angezeigt.

5. Inbetriebnahme, Betrieb

DE

5. Mit Taste **[SET/MENU]** kann auf Anzeige $dP.dt$ gewechselt werden.
⇒ Die Anzeige gibt auch schon während der Testdurchführung Anhaltswerte des Testergebnisses.
6. Nach 5 Minuten den Druck ablassen.
7. Logger stoppen.

Auswertung:

Datenlogger mit GSOFT auslesen und im Register „Kommentar“ eingeben:

- Auftraggeber
- Prüfort
- Datum und Uhrzeit
- Adresse / Kanalnummer
- Bestandsdaten des Objektes (Kanalart, Nennweite etc.)
- Prüfvorschriften
- Drücke, Toleranzen etc.
- Ergebnis der Prüfung

Dazu kann eine entsprechende Kommentarvorlage als Datei vorbereitet werden, beim Ausdruck können Firmenlogos etc. mit angegeben werden



Einstellung $t_{\text{akt}} : t_{\text{tot}}$: Werden hier sehr hohe Werte eingestellt, können Anzeigewerte leicht missverstanden werden, da der angezeigte Wert entsprechend langsam reagiert!

Der Anzeigewert wird berechnet: $(P(T_{\text{aktuell}}) - P(T_{\text{aktuell}} - t_{\text{akt}})) / t_{\text{akt}}$
Wenn noch nicht Daten über den gesamten $t_{\text{akt}} - t_{\text{tot}}$ -Zeitraum vorliegen, werden die Werte anhand der bisher vorliegenden Daten hochgerechnet.

5.5 Datenlogger

Das Gerät besitzt zwei verschiedene Loggerfunktionen:

Func Stor Manuelle Messwertaufzeichnung per Tastendruck **[STORE/QUIT]**
Zusätzlich wird eine Messstelleneingabe (L-Id) gefordert

Func Cycl Automatische Aufzeichnung im Abstand der eingestellten Zykluszeit.

1-Kanal-Version:

Der Logger zeichnet jeweils 3 Messergebnisse pro Datensatz auf:

- **Calc Off**: Mess- oder Mittelwert (je nach Funktion), Min.-Peak und Max.-Peak
- **Calc „aktiv“**: Mess- oder Mittelwert (je nach Funktion)
- Berechneter Kalkulations- und Dummy-Wert (siehe Kapitel 5.4.5 „Druckänderungsgeschwindigkeit (nur für Sensoranschluss 1)“)

2-Kanal-Version:

- Der Logger zeichnet jeweils 9 Messergebnisse pro Datensatz auf:
- Mess- oder Mittelwert (je nach Funktion), Min.-Peak und Max.-Peak Sensor 1
- Mess- oder Mittelwert (je nach Funktion), Min.-Peak und Max.-Peak Sensor 2
- Mess- oder Mittelwert (je nach Funktion)
 - $[RLC]$ OFF : Min.-Peak und Max.-Peak Sensor 1 – Sensor 2
 - $[RLC]$ „aktiv“: Berechneter Kalkulations- und Dummy-Wert (siehe Kapitel 5.4.5 „Druckänderungsgeschwindigkeit (nur für Sensoranschluss 1)“)

Min.- und Max.-Peak sind dabei die minimal bzw. maximal gemessenen Druckwerte seit dem letzten Speichervorgang. Somit können sowohl der aktuelle Druckwert als auch vorhandene Druckspitzen sehr genau analysiert werden.

Zur Auswertung der Daten benötigen Sie die Software GSOFT (ab V3.0), mit der die Loggerfunktion sehr einfach gestartet und eingestellt werden kann.

Kostenlose Updates sind unter www.wika.de verfügbar.

Bei aktivierter Loggerfunktion F_{unc} $Stor$ oder F_{unc} $Cycl$ steht die Hold-Funktion nicht zur Verfügung, die Taste **[STORE/QUIT]** ist dann für die Loggerbedienung zuständig.

5.5.1 Manuelle Aufzeichnungen

5.5.1.1 Manuelle Aufzeichnung starten

Wurde die Loggerfunktion F_{unc} $Stor$ gewählt (siehe 5.3 „Konfiguration des Gerätes“), können maximal 1.000 Messungen manuell abgespeichert werden:

1. Taste **[STORE/QUIT]** drücken.
 - ⇒ Datensatz wird abgespeichert (es wird kurz „St. XX“ angezeigt. XX ist Nummer des Datensatzes)
2. Messstelleneingabe „L - i d“:
 - ⇒ Auswahl der Messstelle über Tasten **[▲]** oder **[▼]**. Zahl von 0 ... 19999 oder Text, der einer Zahl von 1 ... 40 zugeordnet wurde.
 - ⇒ Zuordnung der Texte erfolgt über die Software „ConfigSoft“ welche kostenlose unter www.wika.de erhältlich ist.
3. Die Eingabe mit **[STORE/QUIT]** bestätigen.

Zum Zeitpunkt des Speicherns besteht ein Datensatz aus folgenden Werten.

(1-Kanal-Version)

- Messwert
- $[RLC]$ OFF : Min.-Peak und Max.-Peak seit dem letzten Speichern
- $[RLC]$ „aktiv“: Berechneter Kalkulations- und Dummy-Wert (siehe Kapitel 5.4.5 „Druckänderungsgeschwindigkeit (nur für Sensoranschluss 1)“)

5. Inbetriebnahme, Betrieb

- Uhrzeit und Datum

LoBB FULL erscheint, falls der Loggerspeicher voll ist.

(2-Kanal-Version)

- Sensor 1: Messwert
- Sensor 1: Min.-Peak, Max.-Peak seit dem letzten Speichern
- Sensor 2: Messwert
- Sensor 2: Min.-Peak, Max.-Peak seit dem letzten Speichern
- Differenz Sensor 1 - Sensor 2: Messwert
- *ΔALC OFF*: Differenz Sensor 1-Sensor - 2: Min.-Peak, Max.-Peak seit dem letzten Speichern
- *ΔALC* „aktiv“: Berechneter Kalkulations- und Dummy-Wert (siehe Kapitel 5.4.5 „Druckänderungsgeschwindigkeit (nur für Sensoranschluss 1)“)
- Uhrzeit und Datum

LoBB FULL erscheint, falls der Loggerspeicher voll ist.

DE

5.5.1.2 Manuelle Aufzeichnung abrufen

Abgespeicherte Datensätze können sowohl mit der Software GSOFT ausgelesen, als auch in der Geräteanzeige selbst betrachtet werden.



Beim Einzelwert-Logger darf nach der Speicherung von Messwerten der Drucksensor nicht mehr gewechselt werden, ansonsten können ungültige Daten ausgelesen werden.

Zum Auslesen der Daten muss der verwendete Drucksensor angesteckt sein!

1. Taste **[SET/MENU]** 2 Sekunden lang drücken.

⇒ Im Display erscheint *rEAd LoBB*



rEAd LoBB erscheint nur, wenn bereits Datensätze abgespeichert worden sind! Ohne Datensätze erscheint das Konfigurationsmenü *SEt CoNF*

2. Taste **[▶]** kurz drücken.
⇒ Wechsel zwischen Messwerten und Anzeige Datum und Uhrzeit des Datensatzes.
3. Taste **[▲]** oder **[▼]** drücken.
⇒ Wechsel zwischen den Datensätzen.

5. Inbetriebnahme, Betrieb

4. Taste **[STORE/QUIT]** drücken.
⇒ Anzeige der Aufzeichnungen beenden.

5.5.1.3 Manuelle Aufzeichnung löschen

Sind bereits Daten gespeichert, können diese über die Taste **[STORE/QUIT]** gelöscht werden:

1. Taste **[STORE/QUIT]** 2 Sekunden lang drücken.
⇒ Aufruf der Funktion „Löschen“.
2. Taste **[▲]** oder **[▼]** drücken.
⇒ Wechsel der Auswahl.

- [Lr n0]** Nichts löschen (Vorgang abbrechen).
- [Lr ALL]** Alle Datensätze löschen.
- [Lr LAST]** Den zuletzt aufgezeichneten Datensatz löschen.

3. Taste **[STORE/QUIT]** drücken.
⇒ Bestätigung der Auswahl, Ende der Funktion „Löschen“.

5.5.2 Automatische Aufzeichnung mit einstellbarem Zyklus

Wurde die Loggerfunktion *Func CYCL* gewählt (siehe 5.3 „Konfiguration des Gerätes“) werden nach Start des Loggers automatisch Messwerte im Abstand der eingestellten Zykluszeit aufgezeichnet.

Die Logger-Zykluszeit ist einstellbar von 1 s ... 60 min.

Zum Zeitpunkt des Speicherns besteht ein Datensatz aus folgenden Werten.

(1-Kanal-Version):

Speicherbare Datensätze: 10.000

Bei langsamen Messungen: *rATE SL0*

- Messwert
- **[RLC OFF]**: Min.-Peak und Max.-Peak seit dem letzten Speichern
- **[RLC „aktiv“]**: Berechneter Kalkulations- und Dummy-Wert (siehe Kapitel 5.4.5 „Druckänderungsgeschwindigkeit (nur für Sensoranschluss 1)“)

Bei schnellen Messungen: *rATE FAST* und *rATE P.dEt*

- Arithmetischer Mittelwert seit dem letzten Speichern
- **[RLC OFF]**: Min.-Peak und Max.-Peak seit dem letzten Speichern
- **[RLC „aktiv“]**: Berechneter Kalkulations- und Dummy-Wert (siehe Kapitel 5.4.5 „Druckänderungsgeschwindigkeit (nur für Sensoranschluss 1)“)

5. Inbetriebnahme, Betrieb

DE

2-Kanal-Version:

Speicherbare Datensätze: 8.000

Bei langsamen Messungen: $rALE\ SLO$

- Sensor 1: Messwert
- Sensor 1: Min.-Peak, Max.-Peak seit dem letzten Speichern
- Sensor 2: Messwert
- Sensor 2: Min.-Peak, Max.-Peak seit dem letzten Speichern
- Differenz Sensor 1 - Sensor 2: Messwert
- $[ALC\ OFF]$: Differenz Sensor 1-Sensor - 2: Min.-Peak, Max.-Peak seit dem letzten Speichern
- $[ALC]$ „aktiv“: Berechneter Kalkulations- und Dummy-Wert (siehe Kapitel 5.4.5 „Druckänderungsgeschwindigkeit (nur für Sensoranschluss 1)“)

Bei schnellen Messungen: $rALE\ FAST$ und $rALE\ PDET$

- $[ALC\ OFF]$: Min.-Peak und Max.-Peak seit dem letzten Speichern
- $[ALC]$ „aktiv“: Berechneter Kalkulations- und Dummy-Wert (siehe Kapitel 5.4.5 „Druckänderungsgeschwindigkeit (nur für Sensoranschluss 1)“)
- Sensor 1: Arithmetischer Mittelwert
- Sensor 1: Min.-Peak, Max.-Peak seit dem letzten Speichern
- Sensor 2: Arithmetischer Mittelwert
- Sensor 2: Min.-Peak, Max.-Peak seit dem letzten Speichern
- Differenz Sensor 1 - Sensor 2: Arithmetischer Mittelwert
- $[ALC\ OFF]$: Differenz Sensor 1-Sensor - 2: Min.-Peak, Max.-Peak seit dem letzten Speichern
- $[ALC]$ „aktiv“: Berechneter Kalkulations- und Dummy-Mittelwert (siehe Kapitel 5.4.5 „Druckänderungsgeschwindigkeit (nur für Sensoranschluss 1)“)



Bei der Messart $rALE\ SLO$ ist eine Stromsparfunktion wählbar: $L.P.O.$. Ist diese ON bewirkt dies, dass während der Logger aufzeichnet eine Messung nur zum jeweiligen Logger-Zeitpunkt stattfindet. Dies senkt den Stromverbrauch erheblich und empfiehlt sich daher vor allem für Langzeitmessungen (z. B. Dichtigkeitsprüfungen).

5.5.2.1 Loggeraufzeichnung starten

1. Taste **[STORE/QUIT]** 2 Sekunden lang drücken.
⇒ $L055 RUN$ erscheint
2. Taste **[STORE/QUIT]** erneut drücken.
⇒ Automatische Logger-Aufzeichnung startet.

5. Inbetriebnahme, Betrieb

Jeder Speichervorgang wird durch kurze Anzeige von 'St.XXXXX' signalisiert. XXXXX steht hierbei für die Nummer des Datensatzes.

LOGG FULL Erscheint, falls der Loggerspeicher voll ist. Die Aufzeichnung wird automatisch gestoppt.

Lo.Po.on Erscheint bei der Low-Power-Logger-Funktion. Sobald der Loggerspeicher gefüllt ist, schaltet sich das Gerät ab.

DE

5.5.2.2 Loggeraufzeichnung stoppen

1. Taste **[STORE/QUIT]** 2 Sekunden lang drücken.
⇒ Falls eine Aufzeichnung läuft, erscheint das Stopp-Menü.
2. Taste **[▲]** oder **[▼]** drücken.
⇒ Wechsel der Auswahl.

STOP no Die Aufzeichnung nicht stoppen (Vorgang abbrechen).

STOP YES Aufzeichnung stoppen.

3. Taste **[STORE/QUIT]** drücken.
⇒ Bestätigung der Auswahl, Loggeraufzeichnung beendet.



Wird versucht, ein mit zyklischer Aufzeichnung laufendes Gerät auszuschalten, wird automatisch nachgefragt, ob die Aufzeichnung gestoppt werden soll.

Nur bei gestoppter Aufzeichnung kann das Gerät abgeschaltet werden. Die Auto-Power-Off Funktion ist bei laufender Aufzeichnung deaktiviert!

5.5.2.3 Loggeraufzeichnung löschen

1. Taste **[STORE/QUIT]** 2 Sekunden lang drücken.
⇒ Falls Loggerdaten vorhanden sind, und die Aufzeichnung bereits gestoppt wurde, erscheint **LOGG run**
2. Taste **[▲]** oder **[▼]** drücken.
⇒ Wechsel der Auswahl auf **LOGG CLR** um Funktion „Löschen“ aufzurufen.
3. Taste **[▲]** oder **[▼]** drücken.
⇒ Wechsel der Auswahl.

CLR no Nichts löschen (Vorgang abbrechen).

CLR ALL Alle Datensätze löschen.

CLR LAST Den zuletzt aufgezeichneten Datensatz löschen.

5. Inbetriebnahme, Betrieb

4. Taste **[STORE/QUIT]** drücken.

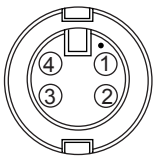
⇒ Bestätigung der Auswahl, Ende der Funktion „Löschen“.

5.6 Universalausgang

Der Universalausgang kann entweder als USB-Schnittstelle (für USB6300-Schnittstellenadapter) oder als Analogausgang (0 ... 1 V) verwendet werden. Wird der Ausgang nicht benötigt, sollte er deaktiviert werden (**OUT OFF**), da sich dadurch der Batterieverbrauch stark reduziert.

DE

Steckerbelegung:



① +U_{DAC}, Analogausgang

② TxD / RxD (3.3 V Logik)

③ GND

④ externe Versorgung +5 V, 50 mA



VORSICHT!

Nur geeignete Adapterkabel sind zulässig (WIKA-Zubehör)!

5.6.1 USB-Schnittstelle

Mit einem galvanisch getrennten Schnittstellenwandler USB6300 (WIKA-Zubehör) kann das Gerät direkt an eine USB-Schnittstelle eines PC angeschlossen werden. Die Übertragung erfolgt in einem binär codierten Format und ist durch aufwendige Sicherheitsmechanismen gegen Übertragungsfehler geschützt (CRC).

Als Bedien- und Auswertesoftware für die integrierte Loggerfunktion eignet sich die Software GSOFT.

5.6.2 Analogausgang

An der Universal-Ausgangsbuchse kann eine Analogspannung von 0 ... 1 V abgegriffen werden (Einstellung **OUT DAC**).

Mit **dARC .0** und **dARC .1** kann der Analogausgang sehr einfach skaliert werden.

Es ist darauf zu achten, dass der Analogausgang nicht zu stark belastet wird, da sonst der Ausgangswert verfälscht werden kann und die Stromaufnahme des Gerätes entsprechend steigt. Belastungen bis ca. 100 kΩ sind unbedenklich.

Überschreitet die Anzeige den mit **dARC .1** eingestellten Wert, so wird 1 V ausgegeben.

Unterschreitet die Anzeige den mit **dARC .0** eingestellten Wert, so wird 0 V ausgegeben.

5. Inbetriebnahme, Betrieb

Im Fehlerfall ($Err. 1$, $Err. 2$, ----, usw.) wird am Analogausgang eine Spannung leicht über 1 V ausgegeben.

5.7 Justieren des Gerätes

DE Mit „Offset“ und „Scale“ können beide Messeingänge justiert werden, sofern zuverlässige Referenzmessgeräte zur Verfügung stehen. Als Referenzgerät ein Gerät mit mindestens 3 ... 4-fach besserer Genauigkeit verwenden.

Wird eine Justierung vorgenommen (Abweichung von Werkseinstellung) wird dies beim Einschalten des Gerätes mit der Meldung Err und während des Betriebs mit einem Pfeil bei Err im Display signalisiert.

Standardeinstellung der Nullpunkt und Steigungswerte ist: $OFF = 0.0$, d.h. es wird keine Korrektur vorgenommen

- Nur Offsetkorrektur:

$$\text{Angezeigter Wert} = \text{gemessener Wert} - OFFS$$

- Offset- und Steigungskorrektur:

$$\text{Anzeige} = (\text{gemessener Wert} - OFFS) * (1 + SCAL / 100)$$

5.8 Druckanschluss an die Drucksensoren

Das Messgerät ist so konzipiert, dass alle Sensoren des Typs CPT6200 ohne Neuabgleich angesteckt werden können. Somit stehen Ihnen eine Vielzahl voll austauschbarer Sensoren für Messbereiche von 0 ... 100 mbar bis 0 ... 1.000 bar (0 ... 1,5 psi bis 0 ... 14.500 psi) zur Verfügung.

Referenz-Drucksensoren Typ CPT6200

Für Überdruck-, Unterdruck und Absolutdruckmessungen: Sensor in Gewinde (G 1/2 B) einschrauben oder Kunststoffschlauch über passenden Adapter an Drucksensor anstecken. Geräteanschluss erfolgt über das Sensoranschlusskabel.

Differenzdruckmessungen mit 2 Sensoren (nur bei 2-Kanal-Version)

Durch die Differenzberechnung Sensor 1 - Sensor 2 (DIF) können Druckdifferenzen der Sensoren Typ CPT6200 angezeigt werden.

5.9 Echtzeituhr

Die Echtzeituhr wird für die zeitliche Zuordnung der Loggerdaten und der Kalibrierzeitpunkte benötigt. Kontrollieren Sie deshalb bei Bedarf die Einstellungen.

5.10 Alarm

Es sind 3 Einstellungen möglich:

- Alarm aus $AL.OFF$
- Alarm an mit Hupe $AL.ON$
- Alarm an ohne Hupe $AL.NO.SO$

In folgenden Fällen wird bei aktiver Alarmfunktion ON oder $NO.SO$ Alarm gegeben:

- Untere Alarmgrenze $AL.LO$ unterschritten
- Obere Alarmgrenze $AL.HI$ überschritten
- Sensorfehler
- schwache Batterie bAL
- Err.7: Systemfehler (wird immer mit Hupe gemeldet)

6. Störungen

Personal: Fachpersonal

Schutzausrüstung: Schutzhandschuhe und Schutzbrille

Werkzeuge: Schraubenschlüssel oder Drehmomentschlüssel



VORSICHT!

Körperverletzungen, Sach- und Umweltschäden

Können Störungen mit Hilfe der aufgeführten Maßnahmen nicht beseitigt werden, Gerät unverzüglich außer Betrieb setzen.

- ▶ Sicherstellen, dass kein Druck bzw. Signal mehr anliegt und gegen versehentliche Inbetriebnahme schützen.
- ▶ Kontakt mit dem Hersteller aufnehmen.
- ▶ Bei notwendiger Rücksendung die Hinweise unter Kapitel 8.2 „Rücksendung“ beachten.

6. Störungen



WARNUNG! Körperverletzungen, Sach- und Umweltschäden durch gefährliche Messstoffe

Bei Kontakt mit gefährlichen Messstoffen (z. B. Sauerstoff, Acetylen, brennbaren oder giftigen Stoffen), gesundheitsgefährdenden Messstoffen (z. B. ätzend, giftig, krebserregend, radioaktiv) sowie bei Kälteanlagen, Kompressoren besteht die Gefahr von Körperverletzungen, Sach- und Umweltschäden.

Am Drucksensor können im Fehlerfall aggressive Messstoffe mit extremer Temperatur und unter hohem Druck oder Vakuum anliegen.

- ▶ Bei diesen Messstoffen müssen über die gesamten allgemeinen Regeln hinaus die einschlägigen Vorschriften beachtet werden.
- ▶ Notwendige Schutzausrüstung tragen.

DE



Kontaktdaten siehe Kapitel 1 „Allgemeines“ oder Rückseite der Betriebsanleitung.

Anzeige	Bedeutung	Abhilfe
SEnS Err0 oder Err.9	Es ist kein Sensor angesteckt.	Gerät ausschalten und Sensor anstecken
	Angesteckter Sensor oder Gerät ist defekt.	Mit evtl. vorhandenen 2. Sensor das Gerät prüfen, defekten Sensor oder Gerät zur Reparatur einschicken
	Messbereich weit über- oder unterschritten	Prüfen: Liegt Druck im zulässigen Messbereich des Sensors?
	Leitungsbruch	Durchgang des Kabels optisch prüfen. Bei Beschädigungen das Kabel durch ein neues ersetzen.
Keine Anzeige oder wirre Zeichen oder Gerät reagiert nicht auf Tastendruck	Batterie ist leer	Neue Batterie einsetzen
	Netzteilbetrieb: falsche Spannung/ Polung	Netzgerät überprüfen / austauschen
	Systemfehler	Batterie und Netzgerät abklemmen, kurz warten, wieder anstecken
	Gerät defekt	Zur Reparatur einschicken
Err.1	Messbereich ist überschritten	Prüfen: Liegt Druck über zulässigem. Messbereich des Sensors? ⇒ Messwert ist zu hoch!
	Sensor defekt	Zur Reparatur einschicken

14043054.02 08/2017 EN/DE

6. Störungen / 7. Wartung, Reinigung und Rekalibrierung

Anzeige	Bedeutung	Abhilfe
Err.2	Messbereich ist unterschritten	Prüfen: Liegt Druck unter zulässigem Messbereich des Sensors? ⇒ Messwert ist zu tief!
	Sensor defekt	Zur Reparatur einschicken
Err.3	Anzeigebereich ist überschritten	Prüfen: Liegt Wert über 19999 ⇒ Messwert ist zu hoch!
Err.4	Anzeigebereich ist unterschritten	Prüfen: Liegt Wert unter -19999 (Tara?) ⇒ Messwert ist zu tief!
Er.11	Messwert konnte nicht berechnet werden	Andere Einheit wählen
	Überlauf ist aufgetreten	Andere Einheit wählen
Err.7	Systemfehler	Zur Reparatur einschicken
----	Sensor nicht vorhanden / erkannt	Abgesteckten Sensor wieder anstecken, bei laufender Aufzeichnung Logger stoppen und erneut starten
	Anzeigewert nicht berechenbar	Passende Sensorkombination anstecken

DE

7. Wartung, Reinigung und Rekalibrierung

Personal: Fachpersonal

Schutzausrüstung: Schutzhandschuhe und Schutzbrille

Werkzeuge: Kreuzschlitzschraubendreher Schraubenschlüssel oder Drehmomentschlüssel



Kontaktdaten siehe Kapitel 1 „Allgemeines“ oder Rückseite der Betriebsanleitung.

7.1 Wartung

Das Hand-Held Druckmessgerät Typ CPH6300 und die dazugehörigen Referenz-Drucksensoren CPT6200 sind wartungsfrei.

Reparaturen sind ausschließlich vom Hersteller durchzuführen.

Ausgenommen ist der Austausch der Batterie.

Nur Originalteile verwenden (siehe Kapitel 10 „Zubehör“).

7. Wartung, Reinigung und Rekalibrierung

Batteriewechsel

Blinkt in der Anzeige **bAt**, so ist die Batterie verbraucht. Für eine kurze Zeit kann noch weiter gemessen werden. Steht im Display nur **bAt** ist die Batterie endgültig verbraucht und muss gewechselt werden. Eine Messung ist nicht mehr möglich.

DE



VORSICHT!

Beschädigung des Gerätes

Bei Arbeiten mit offenen Schaltkreisen (Leiterplatten) besteht die Gefahr empfindliche elektronische Bauteile durch elektrostatische Entladung zu beschädigen.

- ▶ Die ordnungsgemäße Verwendung geerdeter Arbeitsflächen und persönlicher Armbänder ist erforderlich.



VORSICHT!

Beschädigung des Gerätes

Ein unsachgemäßer Batteriewechsel führt zu Beschädigungen des Gerätes oder der Schutz gegen das Eindringen von Feuchtigkeit wird beeinträchtigt!

- ▶ Unnötiges Aufschrauben des Gerätes ist zu vermeiden!
- ▶ Batteriewechsel wie folgt beschrieben durchführen.

1. Die drei Kreuzschlitzschrauben an der Rückseite des Gerätes herausdrehen.
2. Das noch geschlossene Gerät so ablegen, dass Anzeige sichtbar bleibt. Während des gesamten Batteriewechsels das Gerät so liegen lassen. Damit wird vermieden, dass die Dichtungsringe, in den Schraubenlöchern, herausfallen.
3. Das noch geschlossene Gerät so ablegen, dass Anzeige sichtbar bleibt. Während des gesamten Batteriewechsels das Gerät so liegen lassen. Damit wird vermieden, dass die Dichtungsringe, in den Schraubenlöchern, herausfallen.
4. Obere Gehäusehälfte abheben. Dabei besonders auf die sechs Funktionstasten achten, damit diese nicht beschädigt werden.
5. Vorsichtig die beiden Batterien (Typ: AAA) wechseln. Auf die Polarität der Batterien achten.
6. Das Gehäuseoberteil wieder aufsetzen und darauf achten, dass es sauber aufliegt, da sonst die Dichtung beschädigt wird. Abschließend die beiden Gehäuseteile wieder zusammendrücken.
7. Das Messgerät auf die Displayseite legen.
8. Messgerät wieder zusammenschrauben, beginnend mit der einzelnen unteren Schraube.



7.2 Reinigung



VORSICHT!

Körperverletzungen, Sach- und Umweltschäden

Eine unsachgemäße Reinigung führt zu Körperverletzungen, Sach- und Umweltschäden. Messstoffreste im ausgebauten Gerät können zur Gefährdung von Personen, Umwelt und Einrichtung führen.

- ▶ Notwendige Schutzausrüstung tragen.
- ▶ Reinigungsvorgang wie folgt beschrieben durchführen.

1. Vor der Reinigung das Gerät ordnungsgemäß von der Druckversorgung trennen und ausschalten.
2. Notwendige Schutzausrüstung verwenden.
3. Das Gerät mit einem feuchten Tuch reinigen.
Elektrische Anschlüsse nicht mit Feuchtigkeit in Berührung bringen!



VORSICHT!

Beschädigung des Gerätes

Eine unsachgemäße Reinigung führt zur Beschädigung des Gerätes!

- ▶ Keine aggressiven Reinigungsmittel verwenden.
- ▶ Keine harten und spitzen Gegenstände zur Reinigung verwenden.

4. Gerät spülen bzw. säubern, um Personen und Umwelt vor Gefährdung durch anhaftende Messstoffreste zu schützen.

7.3 Rekalibrierung

DKD/DAkkS-Schein - amtliche Bescheinigungen:

Es wird empfohlen, das Gerät in regelmäßigen Zeitabständen von ca. 12 Monaten durch den Hersteller rekalibrieren zu lassen. Die Grundeinstellungen werden wenn notwendig korrigiert.

8. Demontage, Rücksendung und Entsorgung

8. Demontage, Rücksendung und Entsorgung

Personal: Fachpersonal

Schutzausrüstung: Schutzhandschuhe und Schutzbrille

Werkzeuge: Kreuzschlitzschraubendreher Schraubenschlüssel oder Drehmomentschlüssel

DE



WARNUNG!

Körperverletzungen, Sach- und Umweltschäden durch Messstoffreste

Messstoffreste in ausgebauten Geräten können zur Gefährdung von Personen, Umwelt und Einrichtung führen.

- ▶ Notwendige Schutzausrüstung tragen.
- ▶ Angaben im Sicherheitsdatenblatt für den entsprechenden Messstoff beachten.
- ▶ Gerät spülen bzw. säubern, um Personen und Umwelt vor Gefährdung durch anhaftende Messstoffreste zu schützen.

8.1 Demontage



WARNUNG!

Körperverletzungen, Sach- und Umweltschäden durch Messstoffreste

Bei Kontakt mit gefährlichen Messstoffen (z. B. Sauerstoff, Acetylen, brennbaren oder giftigen Stoffen), gesundheitsgefährdenden Messstoffen (z. B. ätzend, giftig, krebserregend, radioaktiv) sowie bei Kälteanlagen, Kompressoren besteht die Gefahr von Körperverletzungen, Sach- und Umweltschäden.

- ▶ Vor der Einlagerung das ausgebaute Gerät (nach Betrieb) spülen bzw. säubern, um Personen und Umwelt vor Gefährdung durch anhaftende Messstoffreste zu schützen.



WARNUNG!

Körperverletzung bei der Demontage

Bei der Demontage besteht Gefahr durch aggressive Messstoffe und hohe Drücke.

- ▶ Drucksensor im drucklosen Zustand demontieren.

1. Elektrische Verbindung zum CPH6200 trennen.
2. Drucksensor mit Schraubenschlüssel oder Drehmomentschlüssel über die Schlüssel­fläche lösen.
3. Drucksensor mit der Hand heraus­schrauben.
4. Drucksensor bei Bedarf reinigen, siehe Kapitel 7.2 „Reinigung“.

8. Demontage, Rücksendung und Entsorgung

8.2 Rücksendung

Beim Versand des Gerätes unbedingt beachten:

Alle an WIKA gelieferten Geräte müssen frei von Gefahrstoffen (Säuren, Laugen, Lösungen, etc.) sein und sind daher vor der Rücksendung zu reinigen.



WARNUNG!

Körperverletzungen, Sach- und Umweltschäden durch Messstoffreste

Messstoffreste in ausgebauten Geräten können zur Gefährdung von Personen, Umwelt und Einrichtung führen.

- ▶ Bei Gefahrstoffen das Sicherheitsdatenblatt für den entsprechenden Messstoff beilegen.
- ▶ Gerät reinigen, siehe Kapitel 7.2 „Reinigung“.

DE

Zur Rücksendung des Gerätes die Originalverpackung oder eine geeignete Transportverpackung verwenden.

Um Schäden zu vermeiden:

1. Das Gerät in eine antistatische Plastikfolie einhüllen.
2. Das Gerät mit dem Dämmmaterial in der Verpackung platzieren. Zu allen Seiten der Transportverpackung gleichmäßig dämmen.
3. Wenn möglich einen Beutel mit Trocknungsmittel der Verpackung beifügen.
4. Sendung als Transport eines hochempfindlichen Messgerätes kennzeichnen.



Hinweise zur Rücksendung befinden sich in der Rubrik „Service“ auf unserer lokalen Internetseite.

8.3 Entsorgung

Durch falsche Entsorgung können Gefahren für die Umwelt entstehen.

Gerätekomponenten und Verpackungsmaterialien entsprechend den landesspezifischen Abfallbehandlungs- und Entsorgungsvorschriften umweltgerecht entsorgen.



Bei Geräten mit dieser Kennzeichnung wird darauf hingewiesen, dass diese nicht in den Hausmüll entsorgt werden dürfen. Die Entsorgung erfolgt durch Rücknahme bzw. durch entsprechende kommunale Stellen.

9. Technische Daten

9. Technische Daten

Hand-Held Druckmessgerät Typ CPH6300 (gesamte Messkette)

Messeingänge	1 Eingang bei CPH6300-S1 2 Eingänge bei CPH6300-S2				
Messbereich					
Relativdruck	mbar	-600 ... 0	-600 ... +600	-400 ... 0	-400 ... +400
		-250 ... 0	-250 ... +250	-100 ... +100	-20 ... 60
		-20 ... 40	-20 ... 25	0 ... 25	0 ... 40
		0 ... 60	0 ... 100	0 ... 160	0 ... 250
		0 ... 400	0 ... 600		
	bar	-1 ... 0	-1 ... 1,5	-1 ... 3	-1 ... 5
		-1 ... 9	-1 ... 15	-1 ... 24	-1 ... 39
		0 ... 1	0 ... 1,6	0 ... 2,5	0 ... 4
		0 ... 6	0 ... 10	0 ... 16	0 ... 25
		0 ... 40	0 ... 60	0 ... 70	0 ... 100
		0 ... 160	0 ... 250	0 ... 400	0 ... 600
		0 ... 1.000			
		psi	0 ... 0,4	0 ... 0,6	0 ... 0,9
	0 ... 2,5		0 ... 4	0 ... 6	0 ... 10
	0 ... 14,5		0 ... 25	0 ... 40	0 ... 60
	0 ... 90		0 ... 145	0 ... 250	0 ... 360
	0 ... 580		0 ... 870	0 ... 1.450	0 ... 2.320
	0 ... 3.630		0 ... 5.800	0 ... 8.700	0 ... 14.500
Absolutdruck	mbar abs.	0 ... 250	0 ... 400	0 ... 600	
	bar abs.	0 ... 1	0 ... 1,6	0 ... 2,5	0 ... 4
		0 ... 6	0 ... 10	0 ... 16	0 ... 25
		0,8 ... 1,2			
Überlast-Druckgrenze	3-fach; ≤ 25 bar 2-fach; > 25 bar ... ≤ 600 bar 1,5-fach; > 600 bar		3-fach; ≤ 360 psi 2-fach; > 360 psi ... ≤ 8.700 psi 1,5-fach; > 8.700 psi		
	Auflösung abhängig vom Druckbereich (max. 4 1/2 Digit)				
Genauigkeit der Messkette 1)	0,2 % FS (Auflösung 4 Digit); {optional: 0,1 % FS (Auflösung: 4 1/2 Digit)} 2)				

{ } Angaben in geschweiften Klammern beschreiben gegen Mehrpreis lieferbare Sonderheiten.

- 1) Ist durch die Gesamt-Messunsicherheit definiert, welche durch den Erweiterungsfaktor ($k = 2$) ausgedrückt wird und folgende Faktoren beinhaltet: die gerätespezifische Performance, Messunsicherheit des Referenzgerätes, Langzeitstabilität, Einfluss durch Umgebungsbedingungen, Drift und Temperatureinflüsse über den kompensierten Bereich bei periodischem Nullpunktgleich.
- 2) Referenzbedingungen: 15 ... 25 °C (59 ... 77 °F)

9. Technische Daten

Hand-Held Druckmessgerät Typ CPH6300 (gesamte Messkette)

Druckarten	Relativdruck, {Absolutdruck von 0 ... 25 bar abs. (0 ... 360 psi abs.) und Vakuummessbereiche von -1 ... +39 bar (-14,5 ... 550 psi)} Differenzdruckmessung nur mit CPH6300-S2 und zwei angeschlossenen Referenz-Drucksensoren Typ CPT6200 möglich
Sensorkompatibilität	Kompatibel mit Referenz-Drucksensoren Typ CPT6200

DE

Digitales Anzeigergerät Typ CPH6300

Anzeige

Display	4 1/2-stellig, großes LC-Display mit Hintergrundbeleuchtung, zur Anzeige von zwei Druckwerten und Zusatzinformation
Display-Anzeigebereich	-19999 ... 19999 Digits, je nach verwendetem Sensor
Druckeinheiten	bar, mbar, psi, Pa, kPa, MPa, mmHg, inHg, mH ₂ O und eine kundenspezifische Einheit mit Voreinstellung auf kg/cm ² (abhängig vom Messbereich frei wählbar)

Funktionen

Messrate	4/s („slow“); 1.000/s („fast“); > 1.000/s ungefiltert (Spitzenwerverfassung), auswählbar
Speicher	Min./Max., integrierter Datenlogger
Funktionen via Tastendruck	Hintergrundbeleuchtung, Min./Max.-Speicher, Hold, Tara, Nullpunktgleich, Logger (Start/Stop)
Menüfunktionen	Min./Max.-Alarm (akustisch/visuell), Sealevel (barometrischer Luftdruck), Power-Off-Funktion, Messrate, Mittelwertfilter
Mittelwertfilter	1 ... 120 Sekunden, einstellbar
Datenlogger	Einzelwertlogger: bis zu 1.000 Aufzeichnungen (mit Messstelleneingabe, 40 einstellbare Messstellentexte oder Messstellen-Nr.) inkl. Uhrzeit via Tastendruck Zyklischer Logger: automatische Aufzeichnung von bis zu 10.000 Werten inkl. Uhrzeit Zykluszeit: wählbar von 1 ... 3.600 Sekunden
Echtzeituhr	integrierte Uhr mit Datum
Leckagetest/ Dichtheitsprüfungen	Druckrate-Anzeige, Protokollierung über Datenlogger

Spannungsversorgung

Hilfsenergie	2 x 1,5 V AAA-Batterien
Batteriebensdauer	> 500 Betriebsstunden (1 Sensor bei einer Messrate von 4/s)
Batteriestandsanzeige	Symbolanzeige im Display

14043054.02 08/2017 EN/DE

9. Technische Daten

Digitales Anzeigergerät Typ CPH6300

Zulässige Umgebungsbedingungen

Betriebstemperatur	-25 ... +50 °C (-13 ... +122 °F)
Lagertemperatur	-25 ... +70 °C (-13 ... +158 °F)
Relative Luftfeuchte	0 ... 95 % r. F. (nicht kondensierend)

Kommunikation

Schnittstelle	USB via Schnittstellenkabel
Analogausgang	DC 0 ... 1 V; konfigurierbar (via Menü alternativ zur Schnittstelle aktivierbar)

Gehäuse

Material	schlagfester ABS-Kunststoff, Folientastatur, Klarsichtscheibe, Silikon-schutzhülle
Schutzart	IP65, IP67 (beide Schutzarten werden eingehalten)
Elektrischer Anschluss	Sensorkabel: Bajonettstecker, 7-polig Schnittstelle: Bajonettstecker, 4-polig
Abmessungen	Siehe technische Zeichnung
Gewicht	ca. 250 g (0,55 lbs) (inkl. Batterien und Schutzhülle)

Referenz-Drucksensor Typ CPT6200

Prozessanschluss ⁴⁾	G ½ B; {frontbündig (G 1 für 0,1 ... 1,6 bar (1,5 ... 23,2 psi)) oder diverse Anschlussadapter auf Anfrage}
--------------------------------	---

Werkstoff

Messstoffberührte Teile	CrNi-Stahl oder Elgiloy [®] , (> 25 bar (360 psi) zusätzlich mit Dichtung NBR) ³⁾ Frontbündige Ausführung: CrNi-Stahl {Hastelloy C4}; O-Ring: NBR {FKM/FPM oder EPDM}
Interne Übertragungsme-dium	Synthetisches Öl (nur bei Messbereichen bis 16 bar (250 psi) oder frontbündige Membrane) {Halocarbonöl für Sauerstoff-Ausführungen}; {FDA-gelistet für Nahrungsmittelindustrie}

{ } Angaben in geschweiften Klammern beschreiben gegen Mehrpreis lieferbare Sonderheiten.

3) Für Druckmessbereiche 0 ... 25 mbar, 0 ... 40 mbar und 0 ... 60 mbar (0 ... 0,4 psi, 0 ... 0,6 psi und 0 ... 0,9 psi) sind die messstoffberührten Teile aus CrNi-Stahl, Silizium, Aluminium, Gold, Silikon.

4) Als Sauerstoff-Ausführung ist eine frontbündige Version nicht erhältlich. In Sauerstoff-Ausführung ist der Typ CPT6200 nur möglich mit Überdruck-Messbereich $\geq 0,25$ bar ($\geq 0,4$ psi), Messstofftemperatur -10 ... +50 °C (14 ... 122 °F) und messstoffberührte Teile in CrNi-Stahl oder Elgiloy[®].

9. Technische Daten

DE

Referenz-Drucksensor Typ CPT6200

Sensordaten

Genauigkeit ¹⁾	≤ 0,2 % der Spanne bei Referenzbedingungen ²⁾
Kompensierter Bereich	0 ... 80 °C (0 ... 176 °F)
Mittlerer Temperaturkoeffizient	≤ 0,2 % der Spanne/10 K (außerhalb der Referenzbedingungen)

Zulässige Umgebungsbedingungen

Messstofftemperatur ⁴⁾	-30 ... +100 °C (-22 ... +212 °F) ⁵⁾
Betriebstemperatur	-20 ... +80 °C (-4 ... +176 °F)
Lagertemperatur	-40 ... +100 °C (-40 ... +212 °F) ⁵⁾
Relative Luftfeuchte	0 ... 95 % r. F. (nicht kondensierend)

Gehäuse

Material	CrNi-Stahl
Anschluss an das CPH6300	Standard: via 1 m (3,3 ft) Verbindungskabel (Plug-and-Play); Optional: bis zu 5 m (16,4 ft)
Schutzart	IP67
Abmessungen	Siehe technische Zeichnung
Gewicht	ca. 220 g (0,49 lbs)

{ } Angaben in geschweiften Klammern beschreiben gegen Mehrpreis lieferbare Sonderheiten.

1) Ist durch die Gesamt-Messunsicherheit definiert, welche durch den Erweiterungsfaktor ($k = 2$) ausgedrückt wird und folgende Faktoren beinhaltet: die gerätespezifische Performance, Messunsicherheit des Referenzgerätes, Langzeitstabilität, Einfluss durch Umgebungsbedingungen, Drift und Temperatureinflüsse über den kompensierten Bereich bei periodischem Nullpunktgleich.

2) Referenzbedingungen: 15 ... 25 °C (59 ... 77 °F)

4) Als Sauerstoff-Ausführung ist eine frontbündige Version nicht erhältlich. In Sauerstoff-Ausführung ist der Typ CPT6200 nur möglich mit Überdruck-Messbereich $\geq 0,25$ bar ($\geq 0,4$ psi), Messstofftemperatur -10 ... +50 °C (14 ... 122 °F) und messstoffberührte Teile in CrNi-Stahl oder Elgiloy®.

5) Für Druckmessbereiche 0 ... 25 mbar, 0 ... 40 mbar und 0 ... 60 mbar (0 ... 0,4 psi, 0 ... 0,6 psi und 0 ... 0,9 psi) sind die Messstofftemperatur und Lagertemperatur auf +80 °C (176 °F) begrenzt.

Zertifikat

Kalibrierung	Standard: Kalibrierzertifikat 3.1 nach DIN EN 10204 Option: DKD/DAkS-Kalibrierzertifikat
Empfohlenes Rekalibrierungsintervall	1 Jahr (abhängig von den Nutzungsbedingungen)

Zulassungen und Zertifikate siehe Internetseite

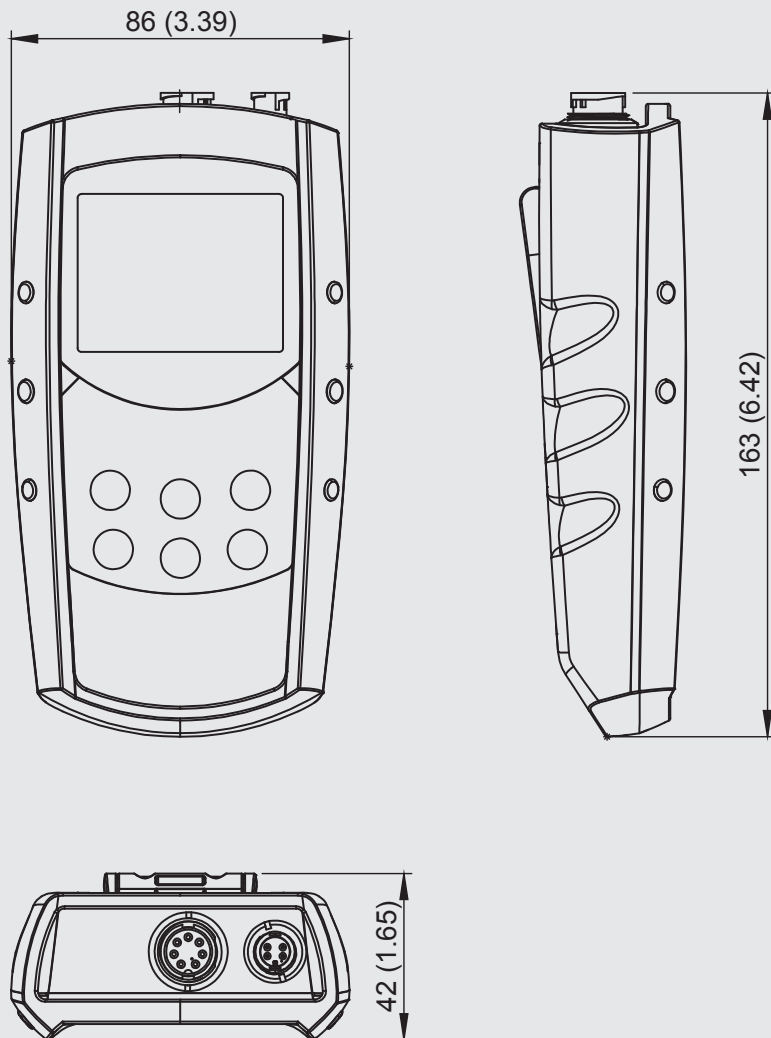
Weitere technische Daten siehe WIKA Datenblatt CT 12.01 und Bestellunterlagen.

9. Technische Daten

Abmessungen in mm (in)

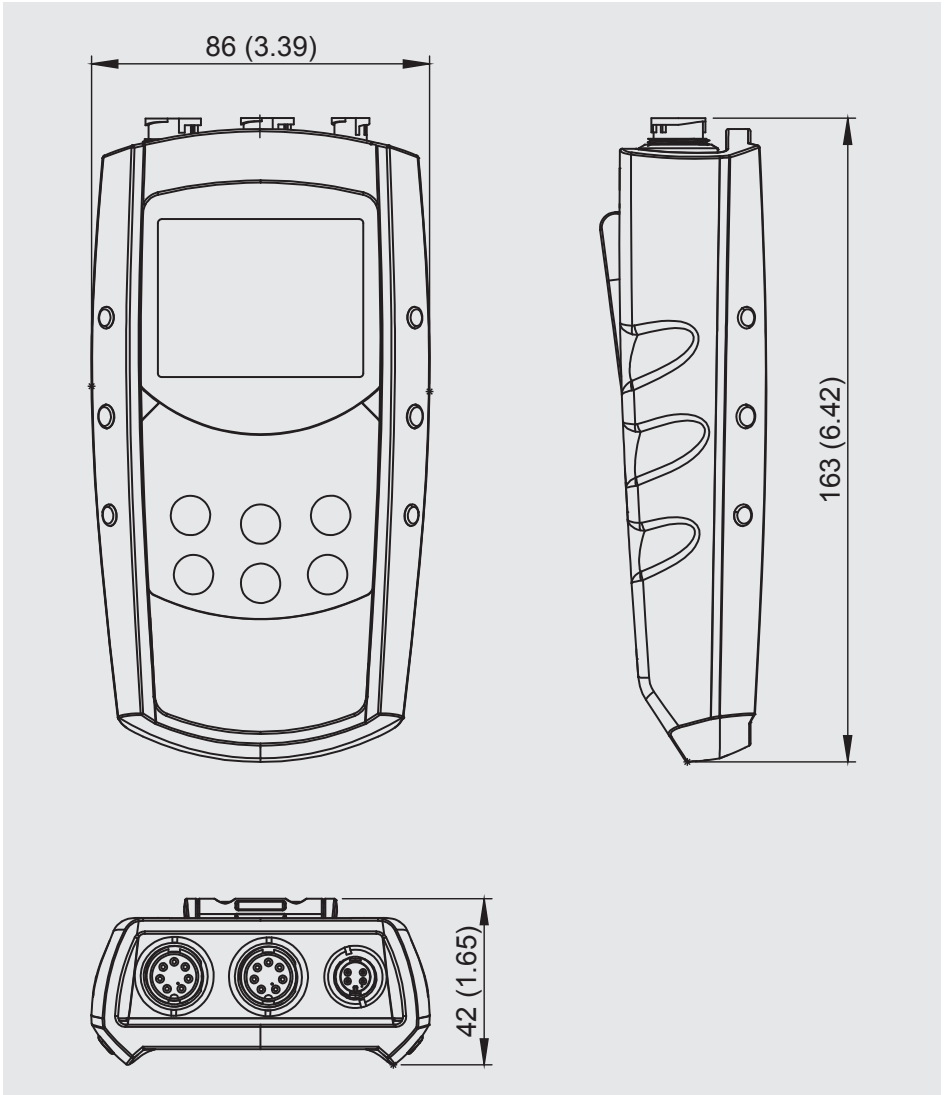
Digitales Anzeigergerät CPH6300-S1

DE



9. Technische Daten

Digitales Anzeigergerät CPH6300-S2



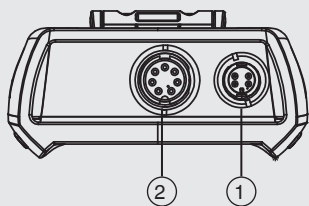
14043054.02 08/2017 EN/DE

DE

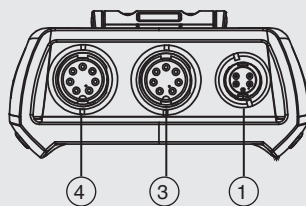
9. Technische Daten

Elektrische Anschlüsse

Typ CPH6300-S1

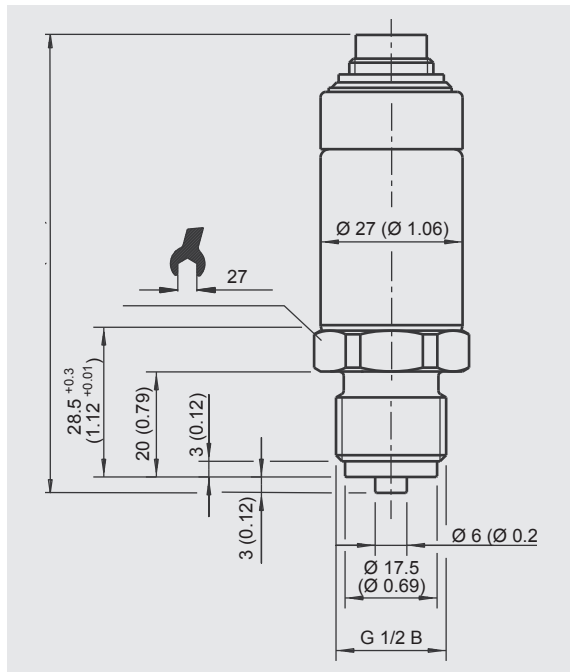


Typ CPH6300-S2



- ① Schnittstellenanschluss
- ② Anschluss Kanal 1 (nur mit CPH6300-S1)
- ③ Anschluss Kanal 2 (nur mit CPH6300-S2)
- ④ Anschluss Kanal 1 (nur mit CPH6300-S2)

Referenz-Drucksensor CPT6200



10. Zubehör

10. Zubehör

Zubehör	Bestellcode
2 AAA-Akkus	CPH-A-63-ZAZZZZZZZZ-Z
2 AAA-Batterien	CPH-A-63-ZBZZZZZZZZ-Z
Ladegerät für 9-V-Akku und 2 AAA-Akkus (Euro-Norm)	CPH-A-63-Z1ZZZZZZZZ-Z
Ladegerät für 9-V-Akku und 2 AAA-Akkus (UK-Norm)	CPH-A-63-Z2ZZZZZZZZ-Z
Ladegerät für 9-V-Akku und 2 AAA-Akkus (US-Norm)	CPH-A-63-Z3ZZZZZZZZ-Z
Dichtungssatz, bestehend aus 4 x USIT-Dichtung G ½, 2 x USIT-Dichtung G ¼ und Kunststoffbehälter	CPH-A-63-ZDZZZZZZZZ-Z
Sensoranschlusskabel, ca. 1,1 m (3,3 ft)	CPH-A-63-ZSZZZZZZZZ-Z
Verlängerungskabel zum Anschluss der Sensoren, ca. 3,8 m (12,5 ft) auf ca. 5 m (16,4 ft)	CPH-A-63-ZVZZZZZZZZ-Z
2-adriges Anschlusskabel (2 m (6,6 ft)) mit losen Enden (Adern- hülsen) für konfigurierbaren Analogausgang	CPH-A-63-ZEZZZZZZZZ-Z
USB-Schnittstellenkabel	CPH-A-63-ZUZZZZZZZZ-Z
Datenlogger-Auswertesoftware GSoft	CPH-A-63-ZGZZZZZZZZ-Z
Kunststoffkoffer für 1 x Hand-Held, 3 x Drucksensoren, Zubehör	CPH-A-63-ZKZZZZZZZZ-Z
Kunststoffkoffer für 1 x Hand-Held, 5 x Drucksensoren, 1 x pneumatische Handprüfpumpe CPP7-H oder CPP30, Zubehör	CPH-A-63-ZLZZZZZZZZ-Z
Kunststoffkoffer für 1 x Hand-Held, 4 x Drucksensoren, 1 x hydraulische Handprüfpumpe CPP700-H/ CPP1000-H, Zubehör	CPH-A-63-ZNZZZZZZZZ-Z

DE

WIKA-Zubehör finden Sie online unter www.wika.de.



DE

14043054.02 08/2017 EN/DE

WIKA subsidiaries worldwide can be found online at www.wika.com.
WIKA-Niederlassungen weltweit finden Sie online unter www.wika.de.



WIKAI Alexander Wiegand SE & Co. KG

Alexander-Wiegand-Straße 30

63911 Klingenberg • Germany

Tel. +49 9372 132-0

Fax +49 9372 132-406

info@wika.de

www.wika.de